

**Features**

- Metal construction
- Two quarter-turn washerless ceramic disc valves
- For 8" (20.3 cm) centers
- Optional aerator kits available
- 1.8 gallons (6.8 L) per minute maximum flow rate
- Meets CALGreen requirements for kitchen faucets
- 360° spout rotation
- 14-1/16" (35.7 cm) swing spout reach

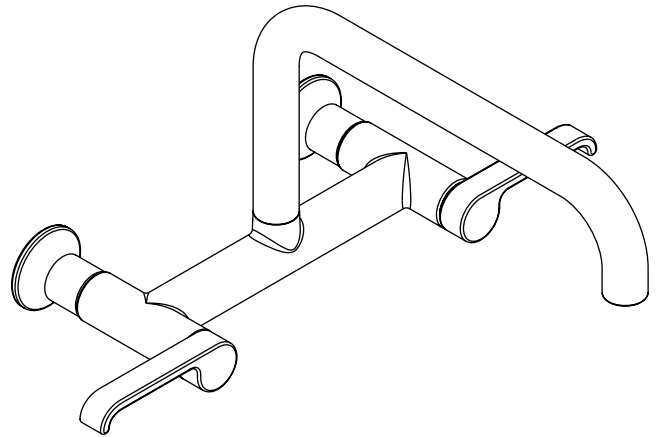
**WALL-MOUNT BRIDGE KITCHEN  
SINK FAUCET  
K-6127**

**ADA**

**Codes/Standards Applicable**

Specified model meets or exceeds the following at date of manufacture:

- ADA
- ICC/ANSI A117.1
- ASME A112.18.1/CSA B125.1
- Energy Policy Act of 1992
- NSF 61
- All applicable US Federal and State material regulations



**Colors/Finishes**

- CP: Polished Chrome
- Other: Refer to Price Book for additional colors/finishes

**Specified Model**

Model	Description	Colors/Finishes
K-6127-4	Wall-mount bridge kitchen sink faucet	<input type="checkbox"/> CP <input type="checkbox"/> Other _____
<b>Optional Accessories</b>		
1089003	Low flow aerator kit – 1.5 gpm (5.7 lpm)	<input type="checkbox"/> NA
1088956	Aerator kit – 2.2 gpm (8.3 lpm)	<input type="checkbox"/> NA

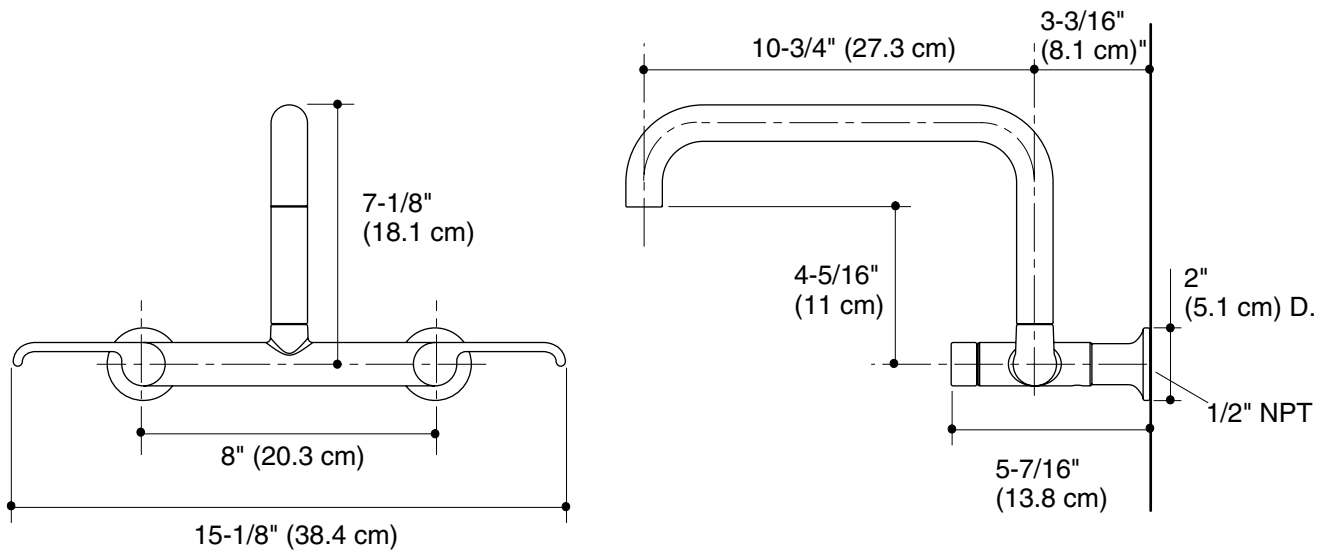
**Product Specification**

The two-handle wall-mount bridge kitchen sink faucet shall be constructed of metal. Product shall have a maximum flow rate of 1.8 gallons (6.8 L) per minute with optional aerator kits available. Product shall feature two quarter-turn washerless ceramic disc valves, an 14-1/16" (35.7 cm) swing spout reach, 360° spout rotation. Faucet shall be for 8" (20.3 cm) centers. Product shall meet CALGreen requirements for kitchen faucets. Faucet shall be Kohler Model K-6127-4-\_\_\_\_\_.

## Installation Notes

Install this product according to the installation guide.

**ADA** compliant when installed to the specific requirements of these regulations.



## Product Diagram