

Features

- Metal construction
- Two quarter-turn washerless ceramic disc valves
- 8-5/16" (21.1 cm) spout reach
- Flexible connections for easy installation
- Available with or without matching finish sidespray
- For 8" (20.3 cm) centers
- 360° spout rotation
- ADA compliant extended lever handles
- Lower flow aerator options available (refer to the Kohler Price Book)
- 2.2 gallons (8.3 L) per minute maximum flow rate

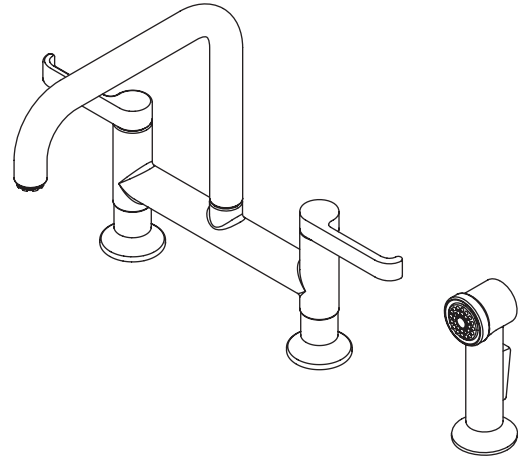
Codes/Standards Applicable

Specified model meets or exceeds the following at date of manufacture:

- ADA
- ASME A112.18.1/CSA B125.1
- ICC/ANSI A117.1
- Energy Policy Act of 1992
- NSF 61
- All applicable US Federal and State material regulations

**DECK-MOUNT BRIDGE KITCHEN
SINK FAUCET
K-6125
ALSO K-6126**

ADA



Colors/Finishes

- CP: Polished Chrome
- Other: Refer to Price Book for additional colors/finishes

Specified Model

Model	Description	Colors/Finishes	
K-6125-4	Kitchen sink faucet – without sidespray	<input type="checkbox"/> CP	<input type="checkbox"/> Other ____
K-6126-4	Kitchen sink faucet – with sidespray (shown)	<input type="checkbox"/> CP	<input type="checkbox"/> Other ____

Product Specification

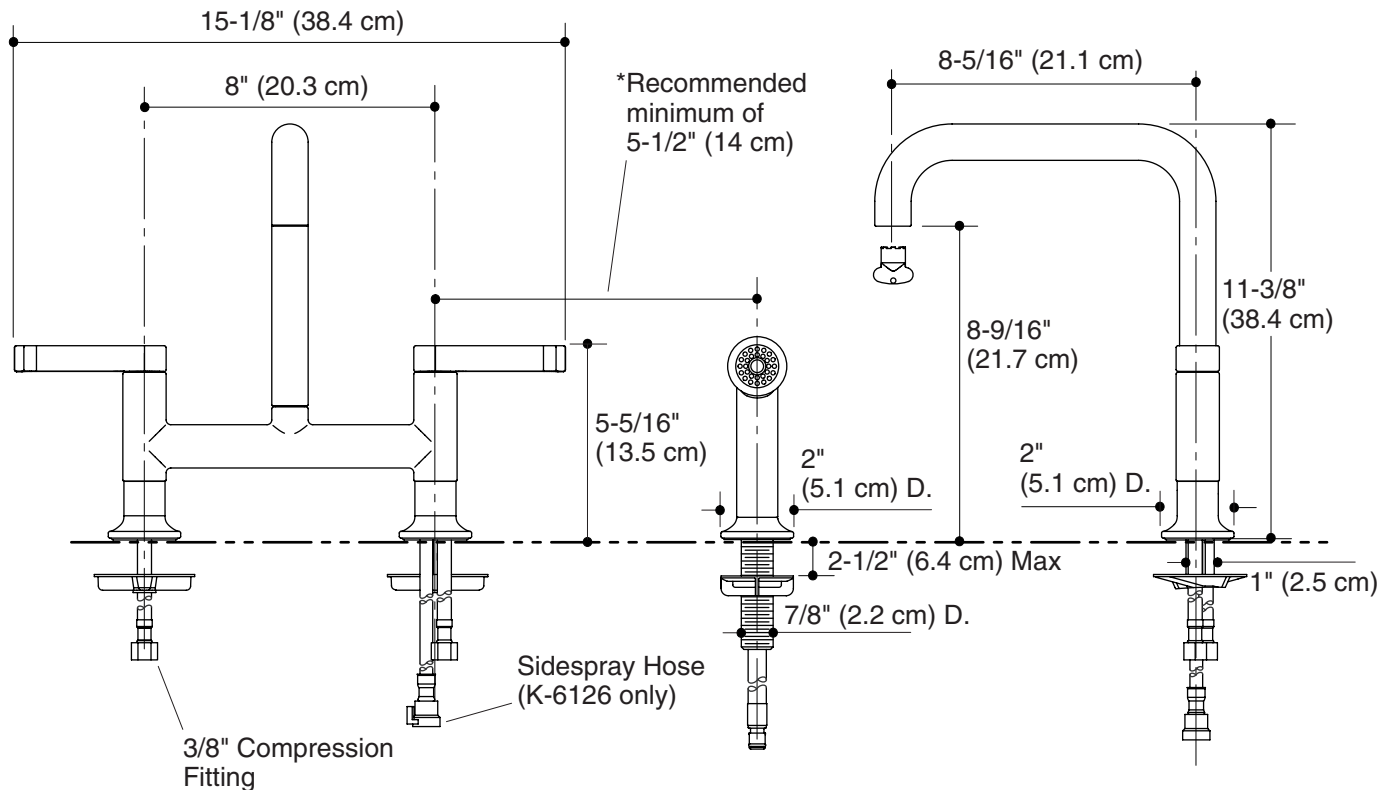
The two-handle deck-mount bridge kitchen sink faucet shall be constructed of metal. Product shall have a maximum flow rate of 2.2 gallons (8.3 L) per minute with lower flow aerator options available (refer to the Kohler Price Book). Product shall feature two quarter-turn washerless ceramic disc valves, an 8-5/16" (21.1 cm) spout reach, 360° spout rotation, flexible connections for easy installation, and ADA compliant extended lever handles. Faucet shall be for 8" (20.3 cm) centers. Product shall be available with or without matching finish sidespray. Faucet shall be Kohler Model K-____-4-_____.

Installation Notes

Install this product according to the installation guide.

For Model K-6126-4 with matching finish sidespray: Drill the hole for the sidespray a minimum of 5-1/2" (14 cm) from the edge of the lever handle.

If this faucet is being installed on a four-hole or five-hole cast iron sink (with 4" (10.2 cm) on center drilling), a compact handle kit (part number 1082534) is available to support this installation. Contact Kohler for more information.



Product Diagram