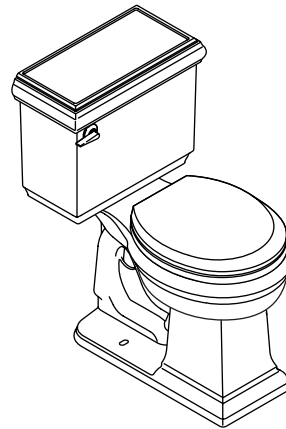


MEMOIRS® CLASS FIVE®

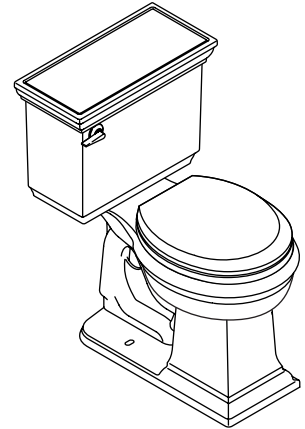
Features

- Vitreous china
- Round-front
- 12" (305 mm) rough-in
- Class Five® flushing system
- 2-1/8" (54 mm) glazed trapway
- Combination toilet
- Less seat and supply
- 1.6 gpf (6 lpf) or 1.28 gpf (4.8 lpf)
- 16-1/2" (419 mm) high bowl
- 10-3/4" (273 mm) x 8-1/2" (216 mm) water area
- 28-3/8" (721 mm) x 17-13/16" (452 mm) x 31-1/2" (800 mm) (K-3509)
- 28-3/8" (721 mm) x 18-7/8" (479 mm) x 31-1/8" (790 mm) (K-3511)

COMFORT HEIGHT™ TOILET K-3509 ALSO K-3511



K-3509



K-3511

Codes/Standards Applicable

Specified model meets or exceeds the following:

- ASME A112.19.2/CSA B45.1
- Energy Policy Act of 1992

Colors/Finishes

- 0: White
- Other: Refer to Price Book for additional colors/finishes

Accessories:

- 0: White
- CP: Polished Chrome
- PB: Vibrant® Polished Brass
- Other: Refer to Price Book for additional colors/finishes

Specified Model

Model	Description	Colors/Finishes	
K-3509	Round front bowl toilet with Classic design	<input type="checkbox"/> 0	<input type="checkbox"/> Other_____
K-3511	Round front bowl toilet with Stately design	<input type="checkbox"/> 0	<input type="checkbox"/> Other_____

Recommended Accessories

K-4639	Cachet™ Quiet-Close™ round, closed-front toilet seat with cover			<input type="checkbox"/> 0	<input type="checkbox"/> Other_____
K-4662	Lustra™ round, closed-front toilet seat with cover			<input type="checkbox"/> 0	<input type="checkbox"/> Other_____
K-7637	Angle supply with stop, annealed vertical tube and 3/8" NPT	<input type="checkbox"/> CP	<input type="checkbox"/> PB		<input type="checkbox"/> Other_____

Product Specification:

The round front combination toilet shall be 12" (305 mm) rough-in. Toilet shall be made of vitreous china. Toilet shall have 10-3/4" (273 mm) x 8-1/2" (216 mm) water area. Toilet shall be at comfort height with a 16-1/2" (419 mm) high bowl. Toilet shall be rated at 1.6 gallons (6 L) per flush or 1.28 gallons (4.8 L) per flush with Class Five™ flushing system. Toilet shall have 2-1/8" (54 mm) glazed trapway and EPDM flapper. Toilet shall be less seat and supply. Toilet shall be Kohler Model K-_____-_____.

MEMOIRS® CLASS FIVE®

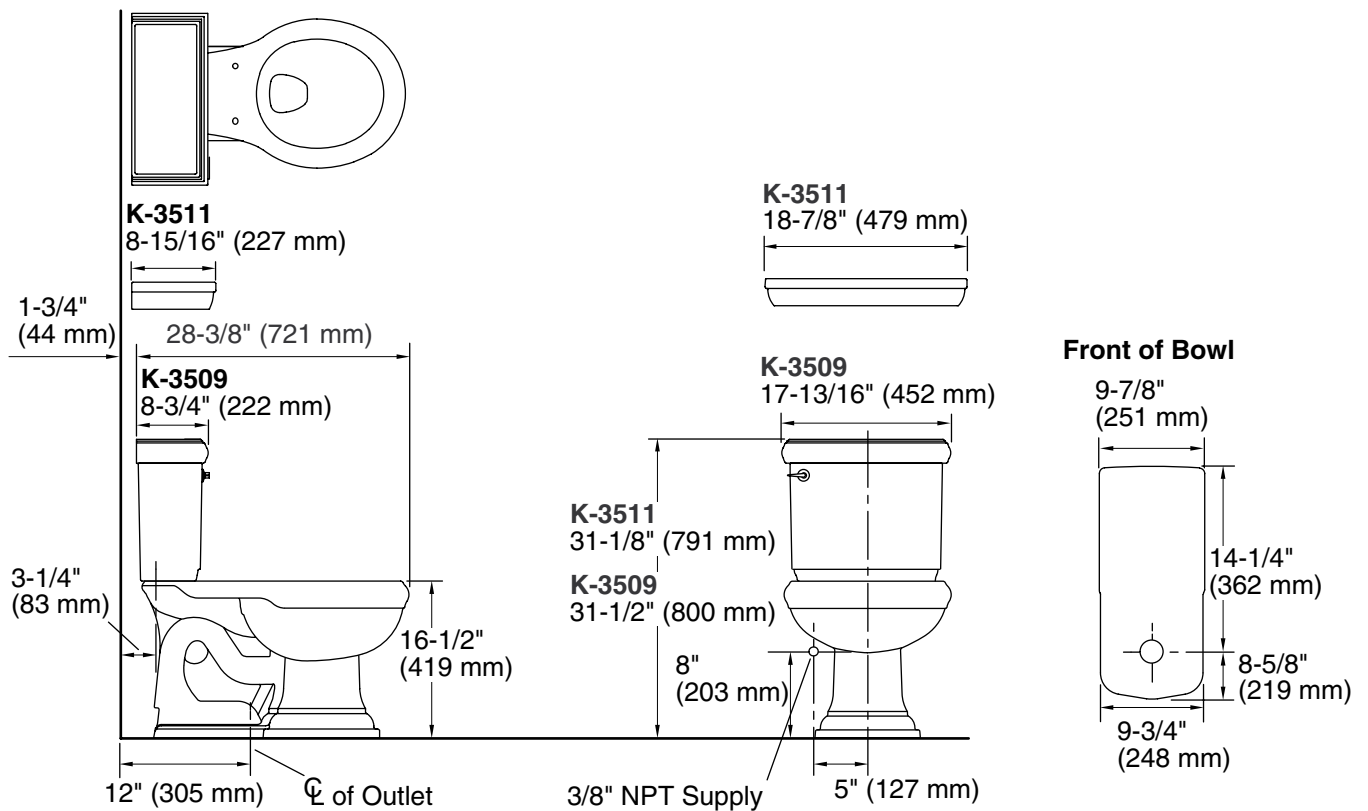
Technical Information

Fixture:	
Configuration	two-piece, round front
Water per flush	1.6 gal (6 L) or 1.28 gal (4.8 L)
Passageway	2-1/8" (54 mm)
Water area	10-3/4" (273 mm) x 8-1/2" (216 mm)
Water depth from rim	6-1/8" (156 mm)
Seat post hole centers	5-1/2" (140 mm)

Included components:	
Bowl	K-4289
Tank with classic design OR	K-4491
Tank with stately design	K-4492
Tank cover with classic design OR	1052861
Tank cover with stately design	1052862
Trip lever	K-9439

Installation Notes

Install this product according to the installation guide.



Product Diagram