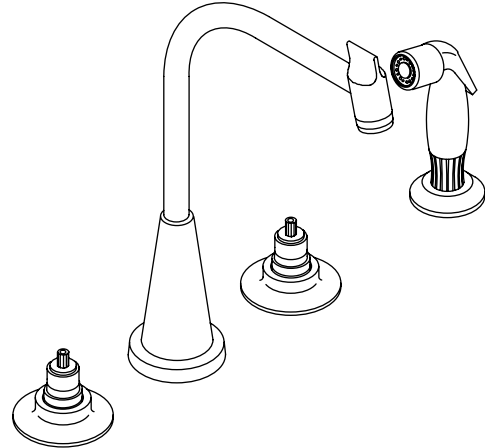


**KITCHEN SINK BASE FAUCET
K-7779-K**

Features

- Brass construction
- Brass valve body
- Quarter-turn washerless ceramic disc valves
- Flexible connections for easy installation
- 8" (20.3 cm) spout reach
- Multi-Swivel swing spout
- Rotating aerator
- Matching finish sidespray
- For 8" (20.3 cm) or 16" (40.6 cm) centers
- Variety of handle style options
- Lower flow aerator options are available (refer to the Kohler Price Book)
- 2.2 gpm (8.3 lpm) maximum flow rate



Codes/Standards Applicable

Specified model meets or exceeds the following at date of manufacture:

- ASME A112.18.1/CSA B125.1
- NSF 61
- Energy Policy Act of 1992
- All applicable US Federal and State material regulations





Colors/Finishes

- CP: Polished Chrome

Accessories

- CP: Polished Chrome
- NA: None applicable

Specified Model

Model	Description	Colors/Finishes			
K-7779-K	Kitchen sink base faucet	<input type="checkbox"/> CP			
Required Accessories					
K-16012-2	Standard handles OR	<input type="checkbox"/> CP			
K-16012-3	Cross handles OR		<input type="checkbox"/> CP		
K-16012-4	Lever handles OR			<input type="checkbox"/> CP	
K-16012-5	Wristblade lever handles				<input type="checkbox"/> CP

Product Specification

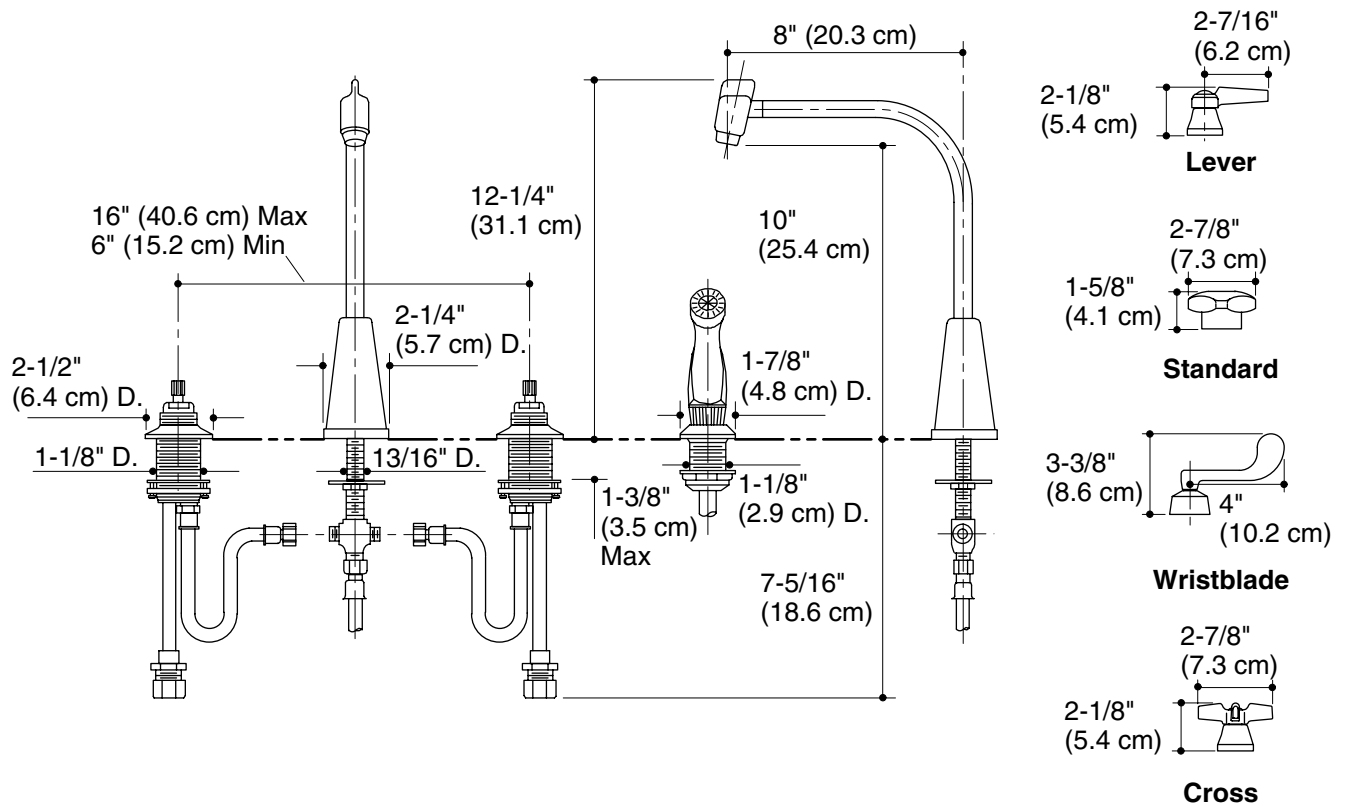
The kitchen sink base faucet shall be of brass construction with brass valve bodies. Product shall have a maximum flow rate of 2.2 gallons (8.3 L) per minute with lower flow aerator options available (refer to the Kohler Price Book). Product shall feature quarter-turn washerless ceramic disc valves, flexible connections for easy installation, 8" (20.3 cm) spout reach, Multi-Swivel swing spout, rotating aerator, and matching finish sidespray. Product shall be for 8" (20.3 cm) or 16" (40.6 cm) centers. Product shall have a variety of handle style options available. Base faucet shall be Kohler Model K-7779-K-CP and required handle shall be Kohler Model K-16012-____-CP.

TRITON®

Optional Accessories		
77619	Deep roughing-in kit for 2-handle (only) kitchen faucets	<input type="checkbox"/> NA
1011402	Sidespray deep roughing-in kit	<input type="checkbox"/> NA
1160595	Medium Spray 0.35 gpm (1.32 lpm) – Insert only	<input type="checkbox"/> NA
—	Additional flow options are available (refer to the Price Book)	<input type="checkbox"/> NA

Installation Notes

Install this product according to the installation guide.



Product Diagram