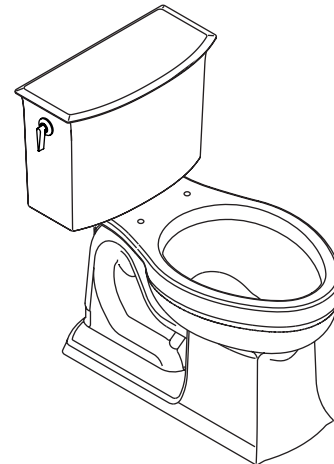


### COMFORT HEIGHT™ TOILET K-3517

ADA

#### Features

- Vitreous china
- Combination toilet
- Elongated bowl
- Class Five™ flushing system
- Less seat and supply
- 12" (30.5 cm) rough-in
- 1.6 gpf (6 lpf) or 1.28 gpf (4.8 lpf)
- 2-1/8" (5.4 cm) glazed trapway
- ADA compliant when installed following installation notes
- 12-1/4" (31.1 cm) x 9" (22.9 cm) water area
- 29" (73.7 cm) x 17-7/8" (45.4 cm) x 30" (76.2 cm)



#### Codes/Standards Applicable

Specified model meets or exceeds the following:

- ASME A112.19.2
- ICC/ANSI A117.1
- IAPMO/cUPC
- Energy Policy Act of 1992
- CSA B45
- ADA

#### Colors/Finishes

- 0: White
- Other: Refer to Price Book for additional colors/finishes

#### Accessories

- 0: White
- CP: Polished Chrome
- PB: Vibrant® Polished Brass
- Other: Refer to Price Book for additional colors/finishes

#### Specified Model

Model	Description	Trip Lever	Colors/Finishes	
K-3517	Comfort Height™ toilet	left-hand	<input type="checkbox"/> 0	<input type="checkbox"/> Other_____
<b>Recommended Accessories</b>				
K-4664	Brevia™ seat with cover	<input type="checkbox"/> 0		<input type="checkbox"/> Other_____
K-7637	3/8" NPT angle supply with stop		<input type="checkbox"/> CP	<input type="checkbox"/> PB <input type="checkbox"/> Other_____
<b>Optional Accessories</b>				
K-4650	Lustra™ elongated open-front toilet seat – for ADA compliance	<input type="checkbox"/> 0		<input type="checkbox"/> Other_____
K-11069	Left-hand trip lever (non-CP)		<input type="checkbox"/> PB	<input type="checkbox"/> Other_____

#### Product Specification

The elongated toilet combination shall be made of vitreous china. Toilet shall be ADA compliant (when installed following installation notes). Toilet shall be 29" (73.7 cm) in length, 17-7/8" (45.4 cm) in width, and 30" (76.2 cm) in height with a 12-1/4" (31.1 cm) x 9" (22.9 cm) water area. Toilet shall be 12" (30.5 cm) rough-in, and 2-1/8" (5.4 cm) glazed trapway. Toilet shall feature a flush rate of 1.6 gpf (6 lpf) or 1.28 gpf (4.85 lpf) with Class Five™ system. Toilet shall be less seat and supply. The toilet shall be Kohler Model K-3517-\_\_\_\_\_.

# ARCHER™

## Technical Information

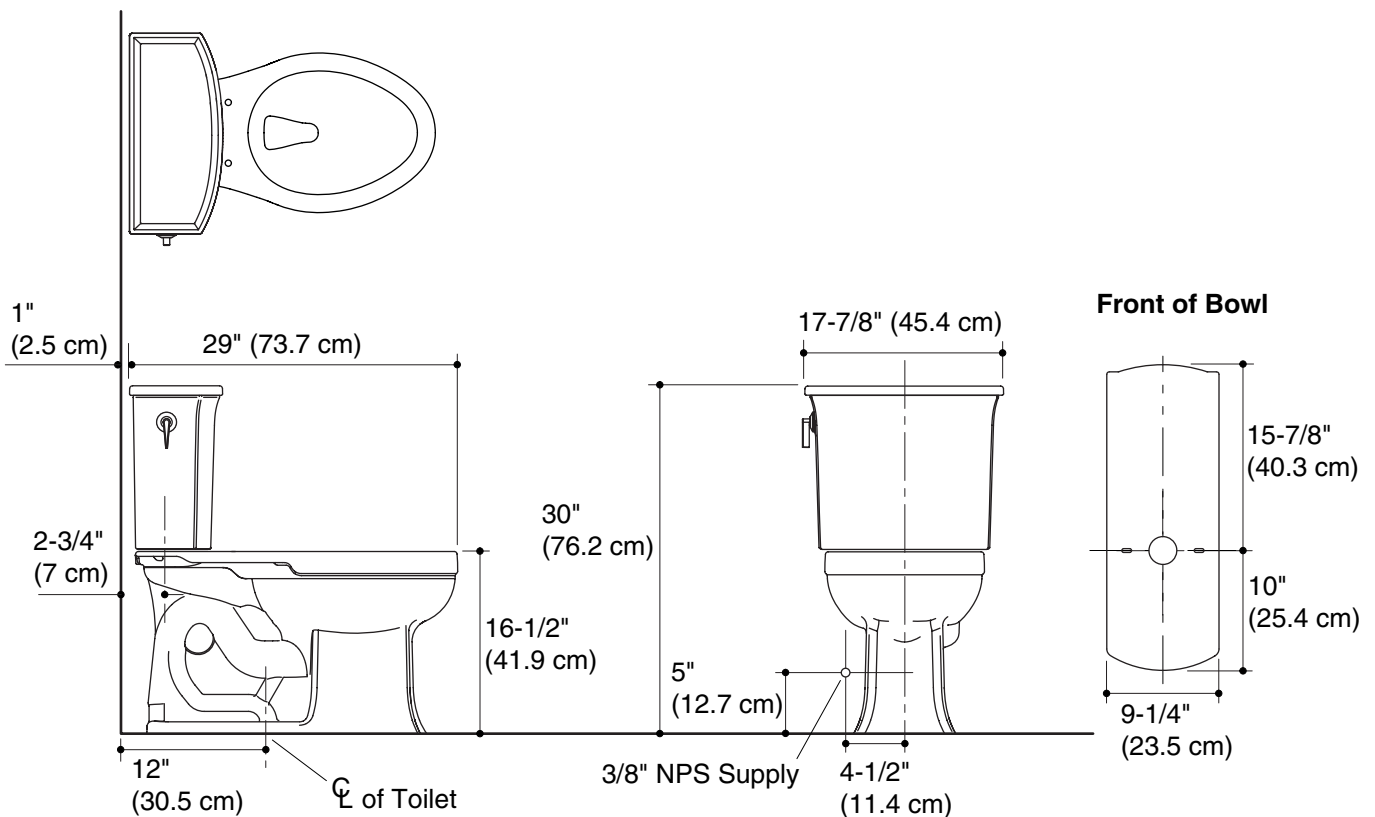
Fixture:	
Configuration	Two-piece, elongated
Flow rate	1.6 gpf (6 lpf) or 1.28 gpf (4.85 lpf)
Passageway	2-1/8" (5.4 cm)
Water area	12-1/4" (31.1 cm) x 9" (22.9 cm)
Water depth from rim	6" (15.2 cm)
Seat post hole centers	5-1/2" (14 cm)
Included components:	
Tank	K-4493
Bowl	K-4295
Tank cover	1046467
Trip lever, left-hand	1067186
Bolt cap accessory pack	1013092
Tank accessory pack	1016548

## Installation Notes

Install this product according to the installation guide.

Will comply with the American Disabilities Act (ADA) when installed per the requirements of the Accessibility Guidelines, Section 604 Water Closets, of the Act. In addition, the installation of an elongated open-front seat is required.

Section 604 states the required height of the toilet is 17" (43.2 cm) to 19" (48.3 cm) from the floor to the top of the seat to meet ADA requirements.



## Product Diagram