

Features

- Cast iron with Safeguard® finish
- ADA compliant when installed per Section 607 of the Act
- Left or right drain
- Extra 4" (10.2 cm) ledge
- 60" (152.4 cm) x 34-1/4" (87 cm) x 14" (35.6 cm)

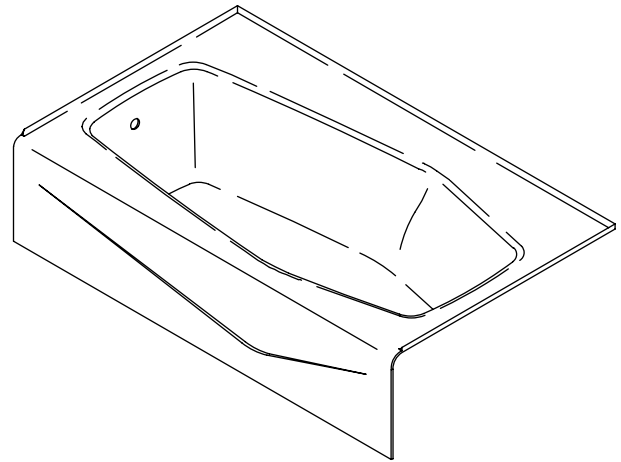
BATH
K-713
ALSO K-714

ADA

Codes/Standards Applicable

Specified model meets or exceeds the following:

- ASME A112.19.1
- CSA B45
- UPC
- CABO/ANSI A117.1



Colors/Finishes

- 0: White
- Other: Refer to Price Book for additional colors/finishes

Accessories

- 0: White
- CP: Polished Chrome
- PB: Vibrant® Polished Brass
- Other: Refer to Price Book for additional colors/finishes

Specified Model

Model	Description	Colors/Finishes	
K-713	Bath – left drain	<input type="checkbox"/> 0	<input type="checkbox"/> Other _____
K-714	Bath – right drain	<input type="checkbox"/> 0	<input type="checkbox"/> Other _____

Recommended Accessories			
K-7213	Clearflo bath cable drain with PVC tubing	<input type="checkbox"/> CP	<input type="checkbox"/> Other _____
K-7214	Clearflo bath cable drain without PVC tubing	<input type="checkbox"/> CP	<input type="checkbox"/> Other _____
K-7160-TF	Clearflo pop-up bath drain	<input type="checkbox"/> CP	<input type="checkbox"/> PB <input type="checkbox"/> Other _____

Product Specification

The bath shall be made of cast iron with Safeguard finish. Product shall be 60" (152.4 cm) in length, 34-1/4" (87 cm) in width, and 14" (35.6 cm) in height. Product shall have an extra 4" (10.2 cm) ledge. Product shall be available with a left or right drain. Product shall be ADA compliant when installed per Section 607 of the Act. Bath shall be Kohler Model K-____-____.

