

MEMOIRS® CLASS FIVE®

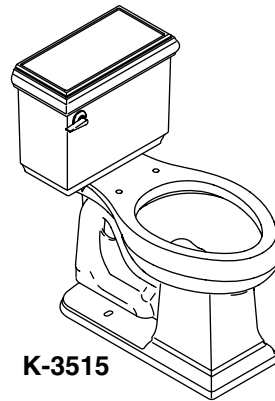
Features

- Vitreous china
- Class Five® flushing system
- Includes polished chrome trip lever
- Less seat and supply
- 12" (30.5 cm) rough-in
- 2-1/8" (5.4 cm) glazed trapway
- 1.6 gpf (6 lpf) or 1.28 gpf (4.8 lpf)
- Elongated combination toilet
- 16-1/2" (41.9 cm) high bowl
- 11" (28 cm) x 8-1/2" (21.6 cm) water area
- 30-3/8" (77.2 cm) x 18-7/8" (47.9 cm) x 31-1/8" (79 cm) [K-3515]
- 30-3/8" (77.2 cm) x 17-13/16" (45.2 cm) x 31-1/2" (80 cm) [K-3526]

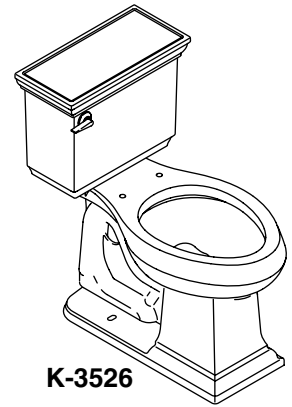
COMFORT HEIGHT® TOILETS

K-3515
ALSO K-3526

ADA



K-3515



K-3526

Codes/Standards Applicable

Specified model meets or exceeds the following:

- ADA
- ASME A112.19.2/CSA B45.1
- ICC/ANSI A117.1
- Energy Policy Act of 1992

Colors/Finishes

- 0: White
- Other: Refer to Price Book for additional colors/finishes

Accessories

- 0: White
- CP: Polished Chrome
- PB: Vibrant® Polished Brass
- Other: Refer to Price Book for additional colors/finishes

Specified Model

Model	Description	Colors/Finishes		
K-3515	Comfort Height® toilet with Classic design	<input type="checkbox"/> 0	<input type="checkbox"/> Other_____	
K-3526	Comfort Height® toilet with Stately design	<input type="checkbox"/> 0	<input type="checkbox"/> Other_____	
Recommended Accessories				
K-7637	Angle supply with stop – 3/8" NPT	<input type="checkbox"/> CP	<input type="checkbox"/> PB	<input type="checkbox"/> Other_____

Optional Accessories Table is on page 2.

Product Specification

The elongated combination toilet shall be made of vitreous china. Toilet shall be 30-3/8" (77.2 cm) in length, 18-7/8" (47.9 cm) in width, and 31-1/8" (79 cm) in height [K-3515] or 30-3/8" (77.2 cm) in length, 17-13/16" (45.2 cm) in width, and 31-1/2" (80 cm) in height [K-3526] with a 11" (28 cm) x 8-1/2" (21.6 cm) water area. Toilet shall be 12" (30.5 cm) rough-in with a 2-1/8" (5.4 cm) glazed trapway. Toilet shall be 1.6 gpf (6 lpf) per flush or 1.28 gpf (4.8 lpf) per flush with Class Five flushing system. 16-1/2" (41.9 cm) high bowl. Toilet shall include a polished chrome trip lever. Toilet shall be less seat and supply. Toilet shall be Kohler Model K-_____-_____.

MEMOIRS® CLASS FIVE®

Optional Accessories

K-4650	Lustra™ elongated open-front toilet seat – for ADA compliance	<input type="checkbox"/> 0	<input type="checkbox"/> Other _____
K-9439	Trip lever – non CP	<input type="checkbox"/> PB	<input type="checkbox"/> Other _____

Technical Information

Fixture:	
Configuration	two-piece, elongated
Water per flush	1.6 gal (6 L) or 1.28 gal (4.8 L)
Passageway	2-1/8" (5.4 cm)
Water area	11" (28 cm) x 8-1/2" (21.6 cm)
Water depth from rim	6-1/8" (15.6 cm)
Seat post hole centers	5-1/2" (14 cm)

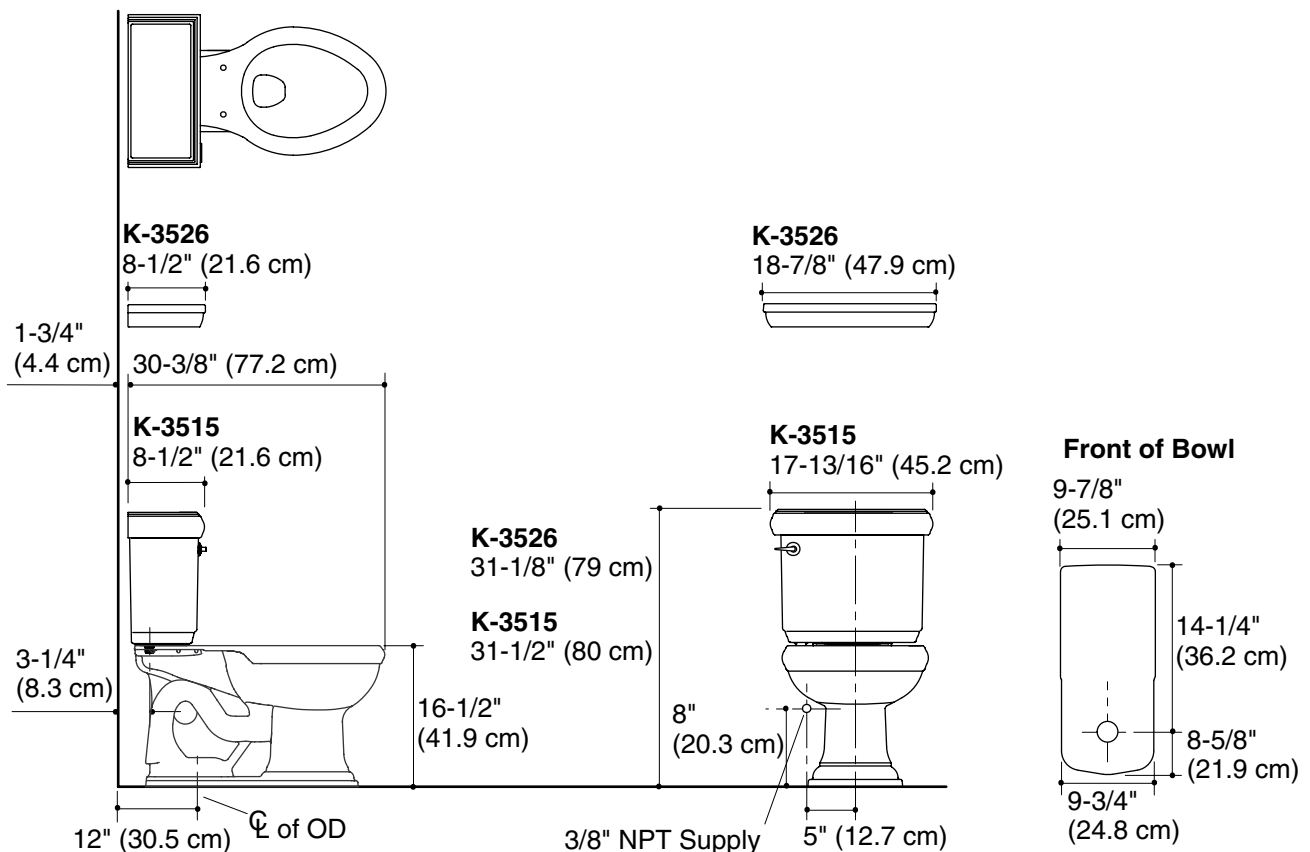
Included components:	
Bowl	K-4294
Tank with Classic design OR	K-4491
Tank with Stately design	K-4492
Tank cover with Classic design OR	1052861
Tank cover with Stately design	1052862
Trip lever	K-9439

Installation Notes

Install this product according to the installation guide.

Will comply with the American Disabilities Act (ADA) when installed per the requirements of the Accessibility Guidelines, Section 604 Water Closets, of the Act. The Model Plumbing Codes require the installation of elongated open-front toilet seats in public bathrooms.

The Plumbing Codes require open-front elongated toilet seats on public use toilets.



Product Diagram