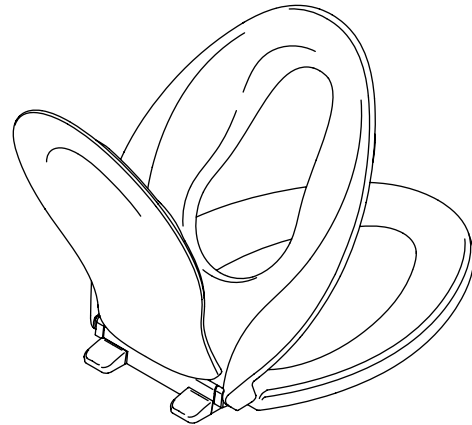


## TRANSITIONS® WITH Q3 ADVANTAGE™

### TOILET SEAT K-4732

#### Features

- Solid polypropylene plastic
- Elongated closed-front
- Contoured seat for user comfort
- Quiet-Close™ lid and ring prevents slamming
- Quick-Release™ hinge caps snap open and seat pulls forward for removal
- Quick-Attach™ stainless steel fastener allows for top-mount screwdriver only install
- Slip resistant bumpers hold seat firmly in place
- Separate child and adult ring



#### Codes/Standards Applicable

Specified model meets or exceeds the following:

- ANSI Z124.5

#### Colors/Finishes

- 0: White
- Other: Refer to Price Book for additional colors/finishes

#### Specified Model

Model	Description	Colors/Finishes	
K-4732	Toilet seat	<input type="checkbox"/> 0	<input type="checkbox"/> Other _____
K-4732-A	Toilet seat – anti-microbial	<input type="checkbox"/> 0	

#### Product Specification

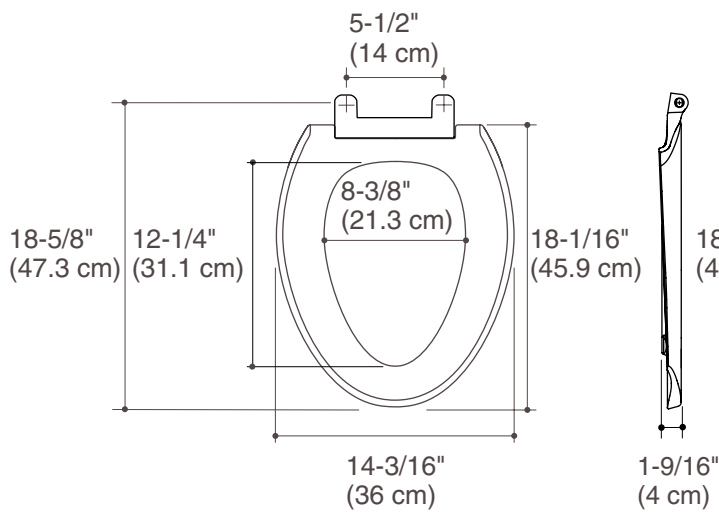
The toilet seat shall be made of solid polypropylene plastic. Product shall be elongated closed-front. Product shall have Quiet-Close™ lid and ring that prevent slamming, Quick-Release™ hinge caps snap open and seat pulls forward for removal. Product shall have Quick-Attach™ stainless steel fastener, which allows for top-mount screwdriver only install. Product shall have contoured seat for user comfort. Product shall have slip resistant bumpers that hold seat firmly in place, separate child and adult ring. Toilet seat shall be Kohler Model K-4732-\_\_\_\_\_.

# TRANSITIONS® WITH Q3 ADVANTAGE™

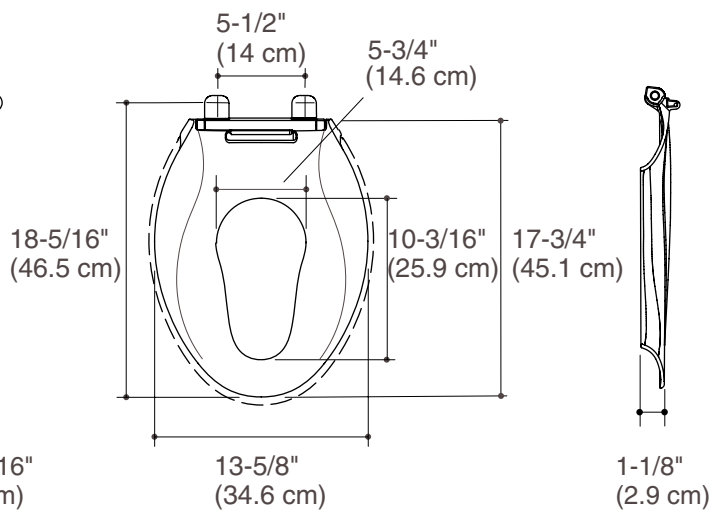
## Installation Notes

Install this product according to the installation guide.

Adult Ring



Child Ring



## Product Diagram