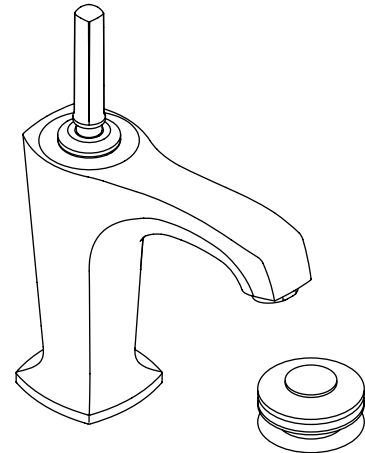


**SINGLE-CONTROL LAVATORY
FAUCET
K-16230**

ADA

Features

- Brass construction
- One-piece, self-contained ceramic disc joystick valve actuation allows both volume and temperature control
- Single-hole mounting
- Single-control
- ADA compliant lever handle
- Flexible connections for easy installation
- 5-3/8" (13.7 cm) spout reach
- Stationary spout
- Touch-activated drain with tailpiece and overflow
- Lower flow aerator options are available (refer to the Kohler Price Book)
- 2.2 gpm (8.3 lpm) maximum flow rate



Codes/Standards Applicable

Specified model meets or exceeds the following at date of manufacture:

- ADA
- ASME A112.18.1
- ICC/ANSI A117.1
- NSF 61
- Energy Policy Act of 1992
- All applicable US Federal and State material regulations

Colors/Finishes

- CP: Polished Chrome
- Other: Refer to Price Book for additional colors/finishes

Accessories

- NA: None applicable

Specified Model

Model	Description	Colors/Finishes	
K-16230-4	Single-control lavatory faucet	<input type="checkbox"/> CP	<input type="checkbox"/> Other ____
Optional Accessories			
_____	Additional flow options are available (refer to the Kohler Price Book)	<input type="checkbox"/> NA	

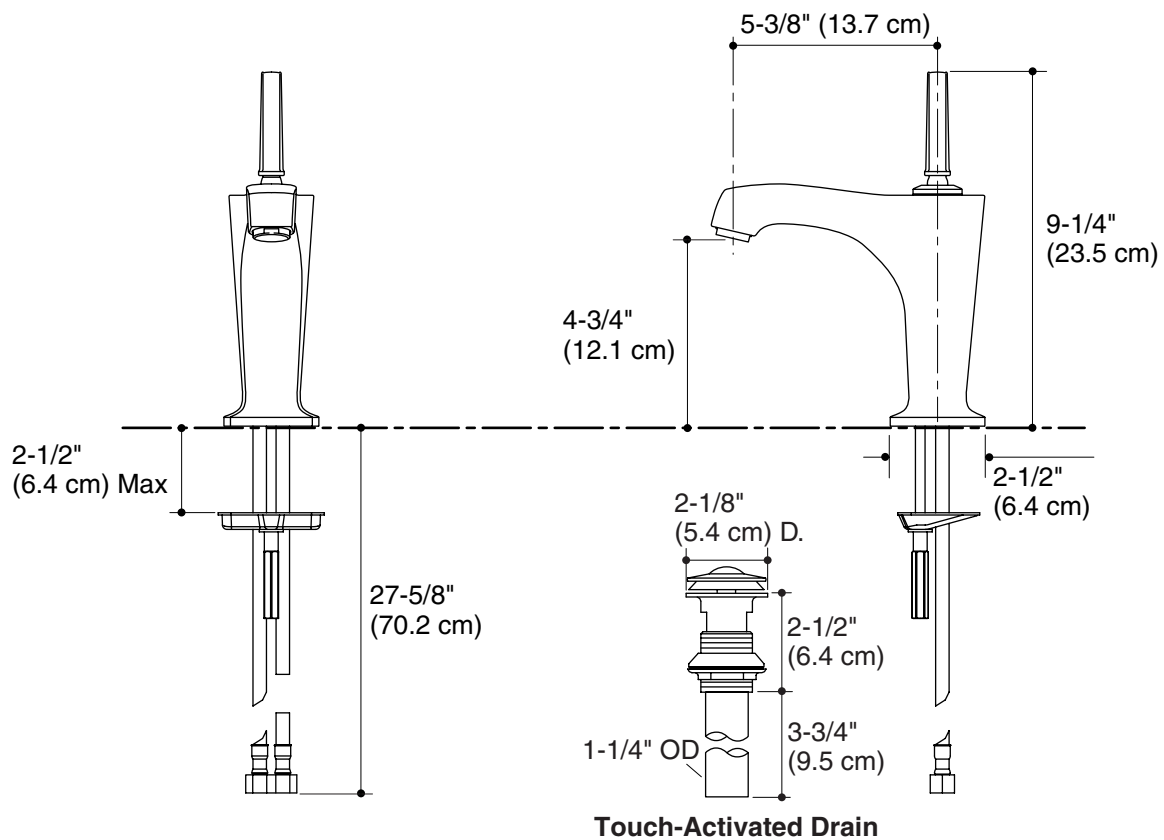
Product Specification

The single-control lavatory faucet shall be made of brass construction. Product shall have a maximum flow rate of 2.2 gallons (8.3 liters) per minute with lower flow aerator options available (refer to the Kohler Price Book). Product shall feature a one-piece, self-contained ceramic disc joystick valve actuation which allows both volume and temperature control. Product shall feature flexible connections for easy installation, ADA compliant lever handle, 5-3/8" (13.7 cm) spout reach, stationary spout, and touch-activated drain with tailpiece and overflow. Product shall be for single-hole installation. Lavatory faucet shall be Kohler Model K-16230-4-_____.

MARGAUX™

Installation Notes

Install this product according to the installation guide.



Product Diagram