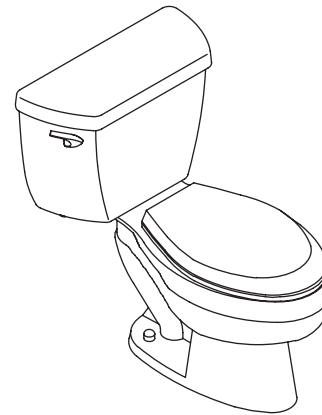


PRESSURE-LITE® 1.0 TOILET K-3519

Features

- Vitreous china
- Less seat and supply
- Includes polished chrome trip lever
- Available with right-hand or left-hand trip lever
- 1.0 gal (4.0 L) per flush
- Equipped with Sloan FLUSHMATE® – Sloan® Valve Company
- Optional bedpan lugs or tank cover locks
- 12" (30.5 cm) rough-in
- 11-1/2" (29.2 cm) x 9-1/2" (24.1 cm) water area
- 30-1/8" (76.5 cm) x 21-1/4" (54 cm) x 31-1/4" (79.4 cm)



Codes/Standards Applicable

Specified model meets or exceeds the following:

- ASME A112.19.2/CSA B45.1
- ADA
- Energy Policy Act of 1992
- EPA WaterSense®

Colors/Finishes

- 0: White
- Other: Refer to Price Book for additional colors/finishes

Accessories

- CP: Polished Chrome
- PB: Polished Brass
- Other: Refer to Price Book for additional colors/finishes

Specified Model

Model	Description	Trip Lever	Colors/Finishes	
K-3519	Elongated bowl toilet	left-hand	<input type="checkbox"/> 0	<input type="checkbox"/> Other_____
K-3519-RA	Elongated bowl toilet	right-hand	<input type="checkbox"/> 0	<input type="checkbox"/> Other_____
K-3519-T	Elongated bowl toilet with tank cover locks	left-hand	<input type="checkbox"/> 0	<input type="checkbox"/> Other_____
K-3519-TR	Elongated bowl toilet with tank cover locks	right-hand	<input type="checkbox"/> 0	<input type="checkbox"/> Other_____

Recommended Accessories

K-4650	Lustra™ elongated open-front toilet seat — for ADA compliance	<input type="checkbox"/> 0	<input type="checkbox"/> Other_____
--------	---	----------------------------	-------------------------------------

Product Specification

The elongated toilet combination shall be made of vitreous china. Toilet shall be 30-1/8" (76.5 cm) in length, 21-1/4" (54 cm) in width, and 31-1/4" (79.4 cm) in height with a 11-1/2" (29.2 cm) x 9-1/2" (24.1 cm) water area. Toilet shall be 12" (30.5 cm) rough-in, less seat and supply. Toilet shall have a 1.0 gal (4.0 L) per flush. Toilet shall be equipped with Sloan Flushmate® - Sloan Valve Company. Toilet shall include a polished chrome trip lever. Toilet shall be available with a right-hand or left-hand trip lever and optional bedpan lugs or tank cover locks. Toilet shall be Kohler Model K-3519-____ or K-3519-____-____.

HIGHLINE®

Recommended Accessories

K-4664	Brevia™ seat with cover	<input type="checkbox"/> 0			<input type="checkbox"/> Other_____
K-7637	Angle supply with stop – 3/8" NPT		<input type="checkbox"/> CP	<input type="checkbox"/> PB	<input type="checkbox"/> Other_____

Technical Information

Fixture:	
Elongated bowl toilet	two-piece, elongated
Water per flush	1.0 gpf (4.0 lpf)
Passageway	2-1/4" (5.7 cm)
Water area	11-1/2" (29.2 cm) x 9-1/2" (24.1 cm)
Water depth from rim	5-3/4" (14.6 cm)
Seat post hole centers	5-1/2" (14 cm)
Minimum static pressure required	35 psi (241 kPa)
Maximum static pressure	80 psi (551.6 kPa)

Included components:

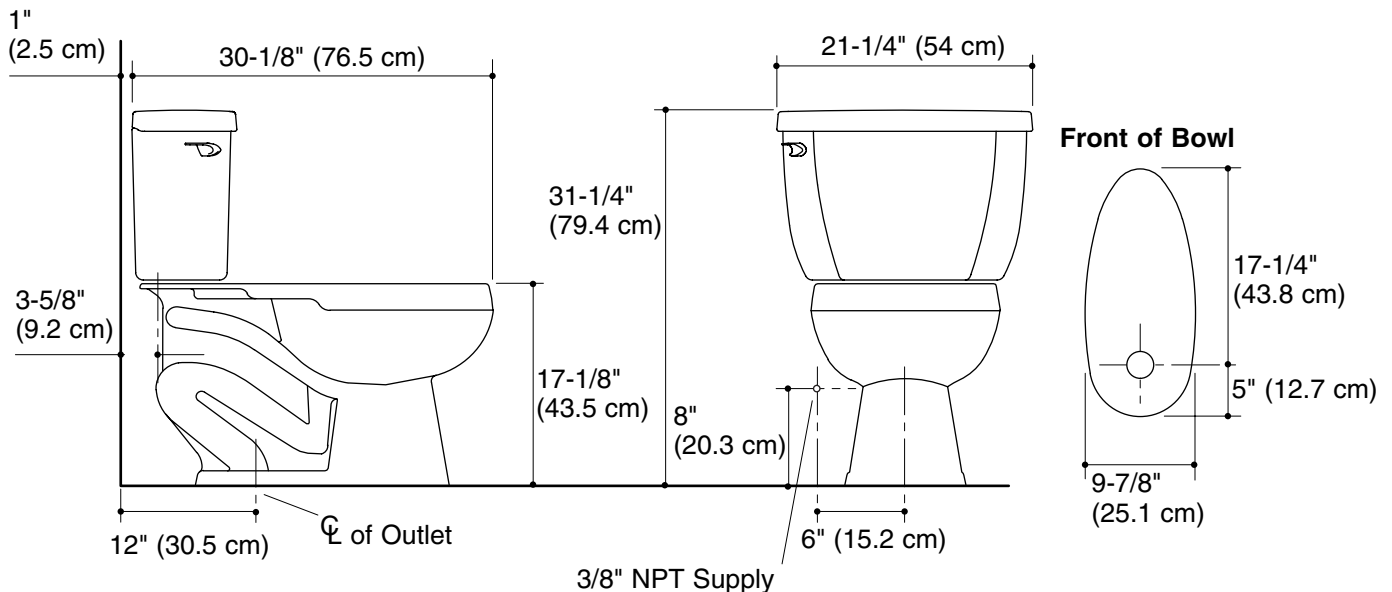
Bowl	K-4304
Tank	K-4484
Tank cover	1036375
Trip lever, left-hand	K-9481-L
Trip lever, right-hand	K-9481-R

Installation Notes

Install this product according to the installation guide.

Will comply with the American Disabilities Act (ADA) when installed per the requirements of the Accessibility Guidelines, Section 604 Water Closets, of the Act. The Model Plumbing Codes require the installation of elongated open-front toilet seats in public bathrooms.

The Plumbing Codes require open-front elongated toilet seats on public use toilets.



Product Diagram