

Features

- Vitreous china
- With overflow
- Wall-mount
- Drilled for concealed arm carrier
- Optional soap dispenser hole on left (-L) or right (-R)
- 11-1/2" (29.2 cm) centers (K-12634), 4" (10.2 cm) centers (K-12636), or single-hole (K-12638)
- 20" (50.8 cm) x 27" (68.6 cm)

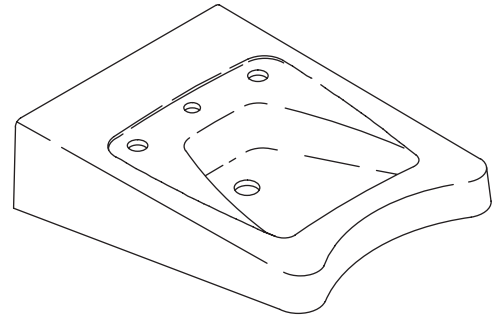
WHEELCHAIR LAVATORY K-12634 ALSO K-12636, K-12638

ADA

Codes/Standards Applicable

Specified model meets or exceeds the following:

- ADA
- ASME A112.19.2/CSA B45.1
- CSA B651
- OBC Barrier Free
- ICC/ANSI A117.1



Colors/Finishes

- 0: White
- Other: Refer to Price Book for additional colors/finishes

Accessories

- CP: Polished Chrome

Specified Model

Model	Description	Colors/Finishes	
K-12634	11-1/2" (29.2 cm) centers lavatory less soap dispenser hole	<input type="checkbox"/> 0	<input type="checkbox"/> Other _____
K-12634-L	11-1/2" (29.2 cm) centers lavatory with soap dispenser hole on left	<input type="checkbox"/> 0	<input type="checkbox"/> Other _____
K-12634-R	11-1/2" (29.2 cm) centers lavatory with soap dispenser hole on right	<input type="checkbox"/> 0	<input type="checkbox"/> Other _____
K-12636	4" (10.2 cm) centers lavatory less soap dispenser hole	<input type="checkbox"/> 0	<input type="checkbox"/> Other _____
K-12636-L	4" (10.2 cm) centers lavatory with soap dispenser hole on left	<input type="checkbox"/> 0	<input type="checkbox"/> Other _____
K-12636-R	4" (10.2 cm) centers lavatory with soap dispenser hole on right	<input type="checkbox"/> 0	<input type="checkbox"/> Other _____
K-12638	Single-hole lavatory less soap dispenser hole	<input type="checkbox"/> 0	<input type="checkbox"/> Other _____
K-12638-L	Single-hole lavatory with soap dispenser hole on left	<input type="checkbox"/> 0	<input type="checkbox"/> Other _____
K-12638-R	Single-hole lavatory with soap dispenser hole on right	<input type="checkbox"/> 0	<input type="checkbox"/> Other _____

Recommended Accessories table is on page 2.

Product Specification

The wheelchair lavatory shall be 20" (50.8 cm) in length, and 27" (68.6 cm) in width. The lavatory shall be made of vitreous china. The lavatory shall have 11-1/2" (29.2 cm) centers (K-12634), 4" (10.2 cm) centers (K-12636), or single-hole (K-12638). The lavatory shall be wall-mount, and drilled for concealed arm carrier. The lavatory shall have overflow, and optional soap dispenser hole on left (-L) or right (-R). The lavatory shall be Kohler Model K-_____-_____-_____.

MORNINGSIDE™

Recommended Accessories

K-8998	P-trap	<input type="checkbox"/> CP
K-7131-A	Offset drain	<input type="checkbox"/> CP

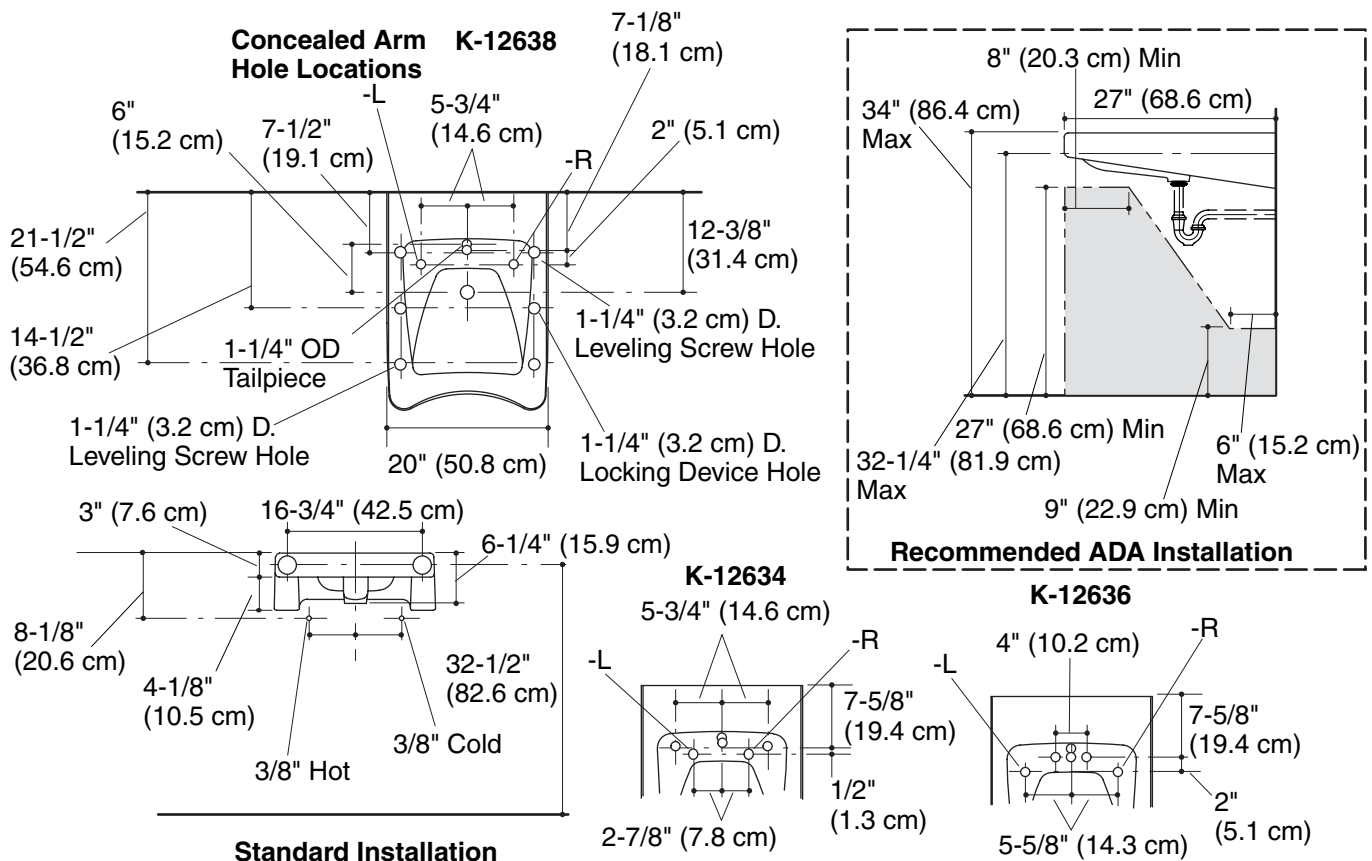
Technical Information

Fixture*:	
Basin area	14" (35.6 cm) x 13" (33 cm)
Water depth	2-5/8" (6.7 cm)
Drain hole	1-3/4" (4.4 cm) D.
*Approximate measurements for comparison only.	

Holes	K-12634	K-12636	K-12638
Spout	1-3/8" (3.5 cm) D.	1-1/4" (3.2 cm) D.	1-3/8" (3.5 cm) D.
Faucet	1-3/8" (3.5 cm) D.	1-1/4" (3.2 cm) D.	
Soap dispenser	1-1/4" (3.2 cm) D.		

Installation Notes

Concealed arm carrier required, **NOT** supplied by Kohler Co.



Product Diagram