

Features

- KOHLER cast iron
- Without overflow
- Self-rimming or undercounter
- 16-1/2" (41.9 cm) x 15-3/4" (40 cm)

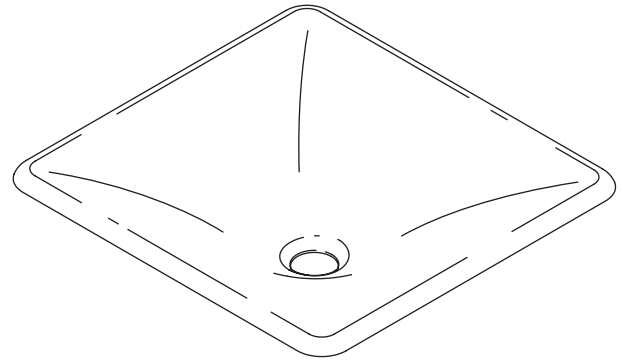
SELF-RIMMING/UNDERCOUNTER LAVATORY K-2827

ADA

Codes/Standards Applicable

Specified model meets or exceeds the following:

- IAPMO/UPC
- ADA
- ASME A112.19.1
- CSA B45
- CSA International



Colors/Finishes

- 0: White
- Other: Refer to Price Book for additional colors/finishes

Accessories:

- CP: Polished Chrome
- Other: Refer to Price Book for additional colors/finishes

Specified Model

Model	Description	Colors/Finishes	
K-2827	Self-rimming/Undercounter lavatory	<input type="checkbox"/> 0	<input type="checkbox"/> Other_____
Recommended Accessory			
K-9018	P-trap	<input type="checkbox"/> CP	<input type="checkbox"/> Other_____

Product Specification

The self-rimming/undercounter lavatory shall be 16-1/2" (41.9 cm) in length, and 15-3/4" (40 cm) in width. Lavatory shall be made of cast iron. Lavatory shall be ADA compliant. Lavatory will not have an overflow. Lavatory shall be Kohler Model K-2827-_____.

IRON/TONES™

Technical Information

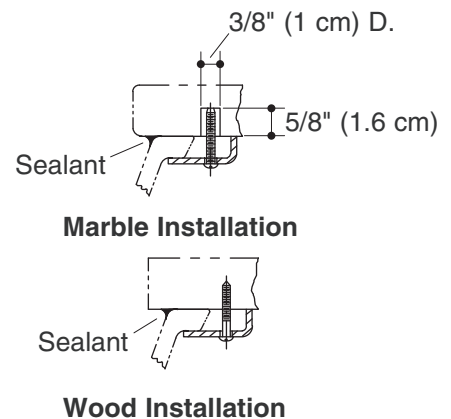
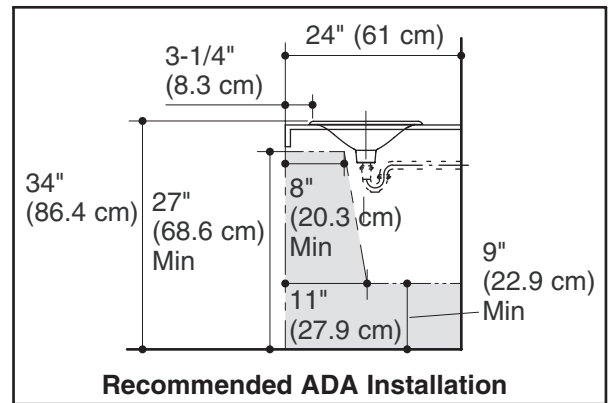
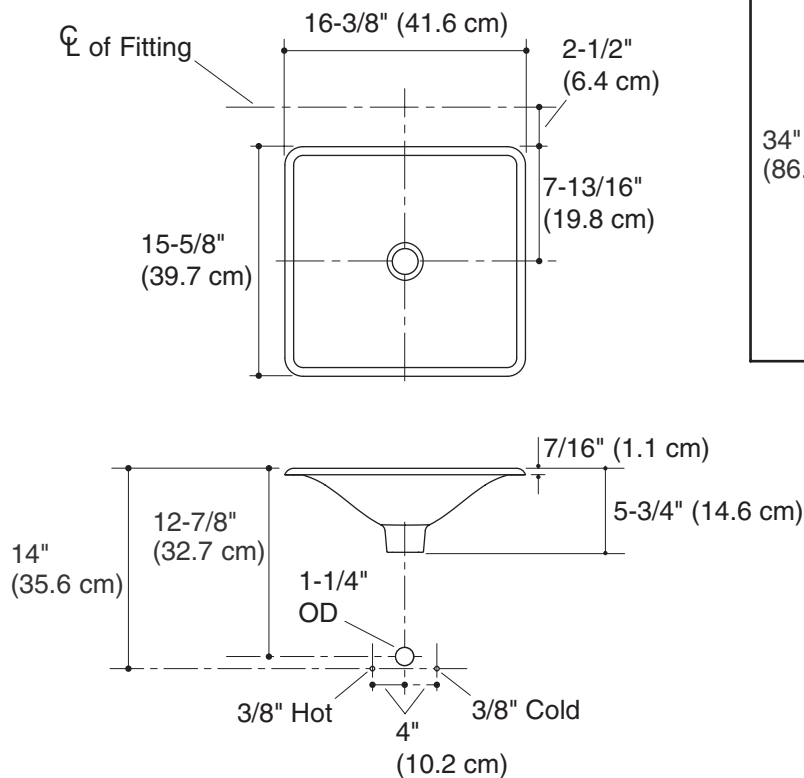
Fixture*:	Basin area	Water depth
Lavatory	15-1/4" (38.7 cm) x 14-1/2" (36.8 cm)	3-3/4" (9.5 cm)
Drain hole	1-3/4" (4.4 cm) D.	
* Approximate measurements for comparison only.		
Included components:		
Basin clamp assembly	52047	
Cut-out template	1053507-7	

Installation Notes

Install this product according to the installation guide.

Supplied basin clamp assemblies require 1" (2.5 cm) minimum countertop thickness. Installer must supply anchors for thinner countertops.

NOTICE: The countertop manufacturer or cutter **must** use the cut-out template provided with the product, or a current one provided by the Kohler Co. (Call 1-800-4-KOHLER.) Kohler Co. is not responsible for cut-out errors when the incorrect cut-out template is used.



Product Diagram