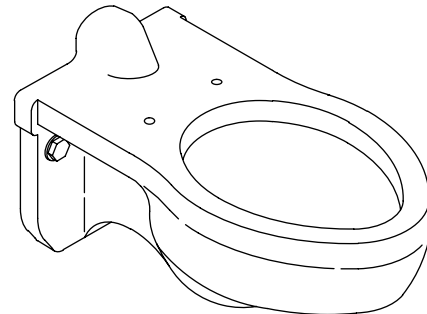


WATER-GUARD® BOWL K-4460-C

ADA

Features

- Vitreous china
- Elongated bowl
- ADA compliant when installed at required height of 17" (43.2 cm) - 19" (48.3 cm) from floor to top of seat
- Blow-out
- Wall-mount
- 3.5 gpf (13.2 lpf)
- 1-1/2" rear spud
- 14-3/8" (36.5 cm) x 11-1/4" (28.6 cm) water area
- 21-1/2" (54.6 cm) x 14" (35.6 cm) x 15-1/4" (38.7 cm)



Codes/Standards Applicable

Specified model meets or exceeds the following:

- ADA
- ASME A112.19.2/CSA B45.1
- ICC/ANSI A117.1

Colors/Finishes

- 0: White

Accessories

- 0: White
- Other: Refer to Price Book for additional colors/finishes

Specified Model

Model	Description	Colors/Finishes	
K-4460-C	Elongated bowl toilet	<input type="checkbox"/> 0	
Recommended Accessories			
K-4670-C	Lustra™ open front seat	<input type="checkbox"/> 0	<input type="checkbox"/> Other _____
K-4670-CA	Lustra™ open front seat with anti-microbial agent	<input type="checkbox"/> 0	

Product Specification

The elongated, wall-mount, blow-out bowl shall have a 1-1/2" rear spud. Bowl shall be made of vitreous china. Bowl shall have 14-3/8" (36.5 cm) by 11-1/4" (28.6 cm) water area. Bowl shall be 3.5 gpf (13.2 lpf). Bowl shall be ADA compliant when installed at required height of 17" (43.2 cm) - 19" (48.3 cm) from floor to top of seat. Bowl shall be 21-1/2" (54.6 cm) in length, 14" (35.6 cm) in width, and 15-1/4" (38.7 cm) in height. Bowl shall be Kohler Model K-4460-C-_____.

Technical Information

ADA compliant when installed following installation notes.	
ADA	
Fixture:	
Configuration	Rear spud, elongated
Water per flush	3.5 gal (13.2 L)*
Spud size	1-1/2"
Passageway	2-5/8" (6.7 cm)
Water area	14-3/8" (36.5 cm) x 11-1/4" (28.6 cm)
Water depth from rim	5-3/8" (13.7 cm)
Seat post hole centers	5-1/2" (14 cm)
Minimum running pressure required	25 psi (172.4 kPa)
* Designed to flush with 3.5 gal (13.2 L) of water when installed with a 3.5 gpf (13.2 lpf) valve.	

Included components:

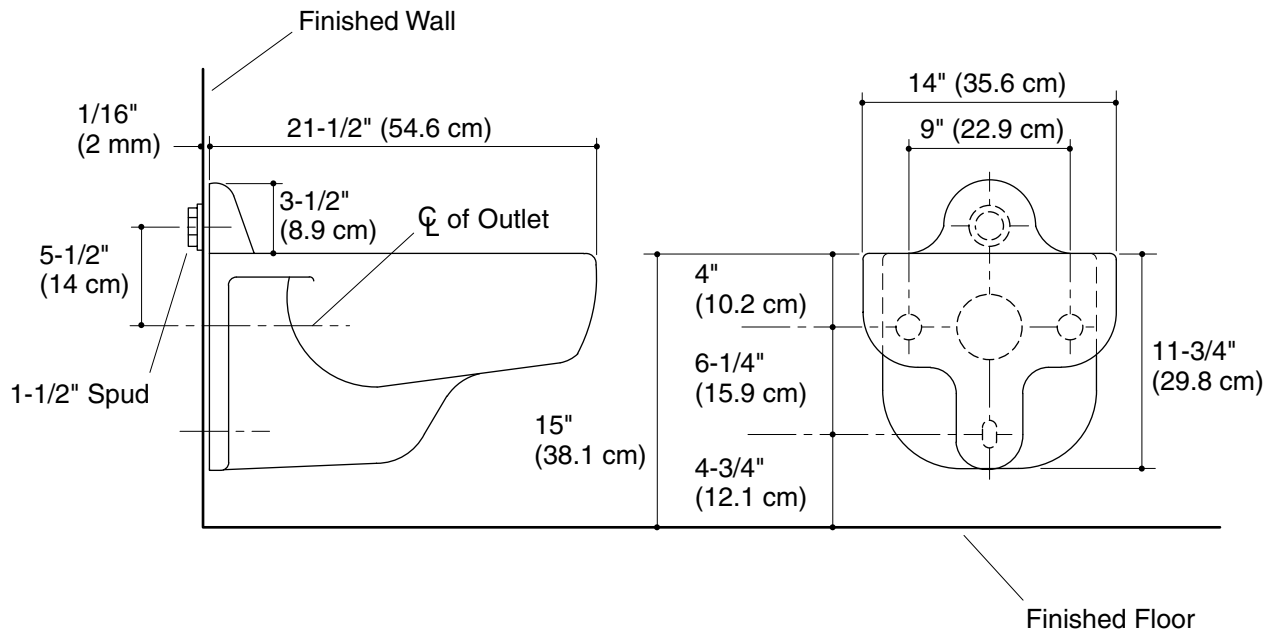
Spud	18357
------	-------

Installation Notes

Install this product according to the installation guide.

Refer to manufacturer and local codes for flush valve requirements.

Will comply with the American Disabilities Act (ADA) when installed per the requirements of the Accessibility Guidelines, Section 604 Water Closets, of the Act. The Model Plumbing Codes require the installation of elongated open-front toilet seats in public bathrooms.



Product Diagram