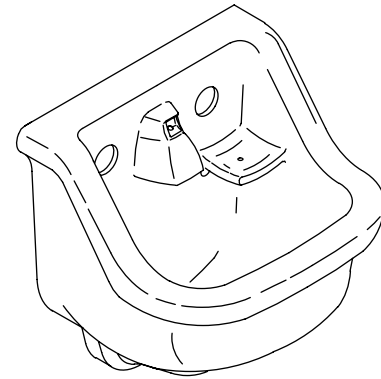


WALL-MOUNT LAVATORY K-2475

Features

- Vitreous china
- Wall-mount
- Integral slow draining outlet
- Integral bubbler and soap dish
- With built-in supply (specify with K-7482)
- Outlet and inlet spuds
- Less K-7482 faucet (shown)
- 14" (35.6 cm) x 12" (30.5 cm)



Codes/Standards Applicable

Specified model meets or exceeds the following:

- ASME A112.19.2/CSA B45.1

Colors/Finishes

- 0: White

Accessories:

- CP: Polished Chrome

Specified Model

Model	Description	Colors/Finishes
K-2475	Wall-mount lavatory	<input type="checkbox"/> 0
Recommended Accessories		
K-7482	Faucet	<input type="checkbox"/> CP
K-2480-A	Support bolt (if required), for use with "cold water supply" only	<input type="checkbox"/> CP

Product Specification

The wall-mount lavatory shall be 14" (35.6 cm) in length, and 12" (30.5 cm) in width. Lavatory shall be made of vitreous china. Lavatory shall have slow draining outlet. Lavatory shall have integral bubbler and soap dish. Lavatory shall have built-in supply. Lavatory shall have outlet and inlet spuds. Lavatory shall be less K-7482 faucet (recommended). Lavatory shall be Kohler Model K-2475-0.

CHARDON™

Technical Information

Fixture*:	
Basin area	11" (27.9 cm) x 9" (22.9 cm)
Water depth	5-5/8" (14.3 cm)
Drain hole (without spud)	2-1/4" (5.7 cm) D.
Faucet hole	1-1/2" (3.8 cm) D.
Spud hole (without spud)	1-1/8" (2.9 cm) D.
* Approximate measurements for comparison only.	

Included components:	
1-1/2" drain hole spud	18357
Inlet spud	31686

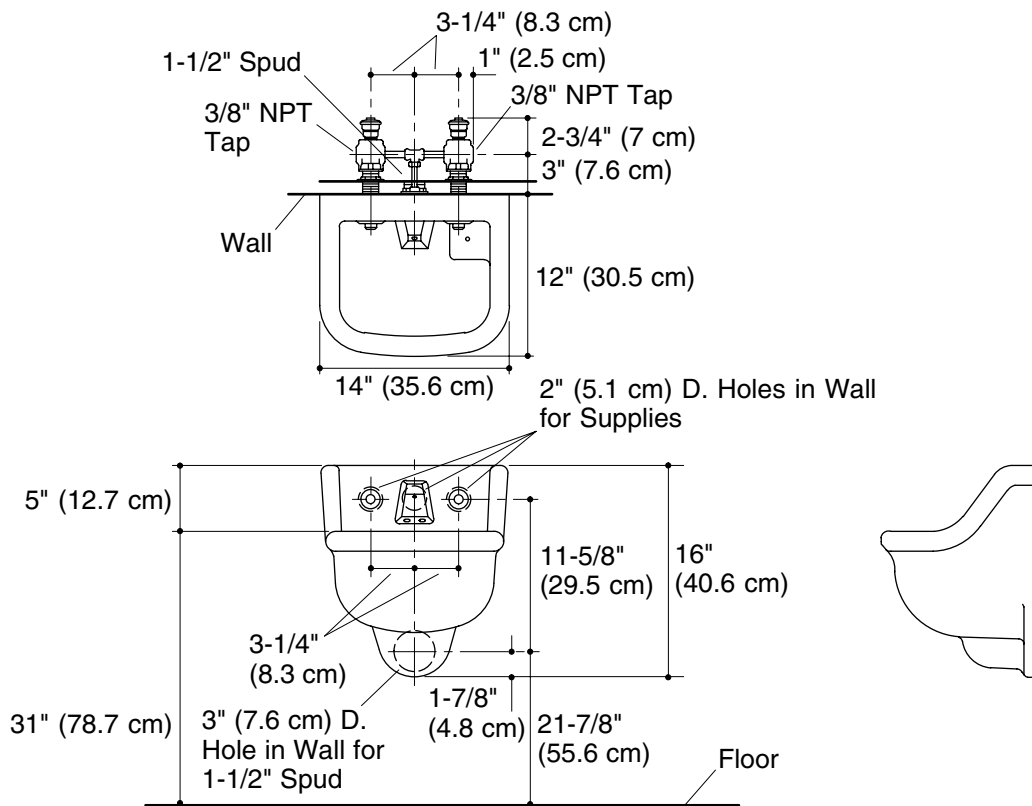
Installation Notes

Install this product according to the installation guide.

The drain hole spud for slipping in 1-1/2" OD tubing is also available with 1-1/2" NPT straight outside thread.

The supply fitting for a regularly furnished wall is not to exceed 1" (2.5 cm) thick. For thicker walls add 1" (2.5 cm) to the supply measurement 3" (7.6 cm) for every inch or fraction of additional wall thickness.

Required hardware and accessories are shown.



Product Diagram