

Ordering Information

Accessories/hardware:		
Grip rails (pair)	K-9623	required
Drain	K-7161-AF	recommended
Undermount installation kit	K-584	optional
Vinyl tiling-in bead*	K-1179	optional

*Use K-1179 vinyl bead when wall material contacts any top surface of bath.

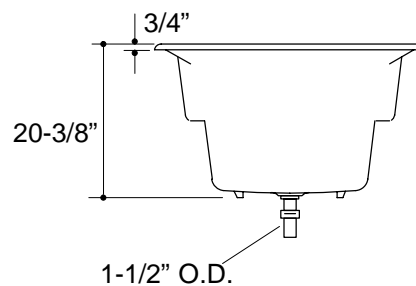
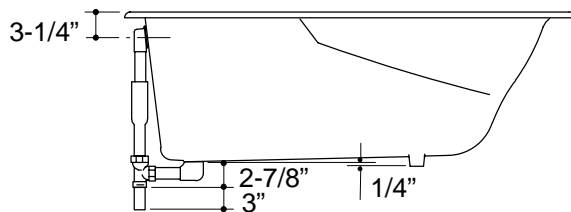
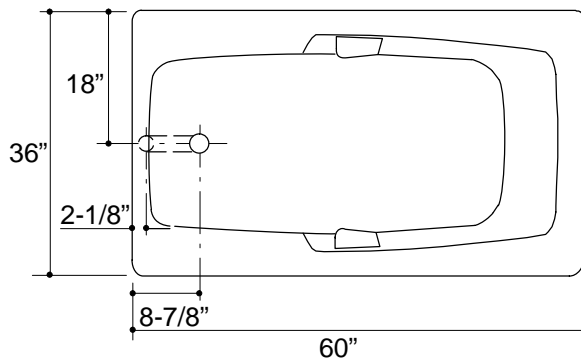
Product Information

Fixture*:	basin area	top area	weight
Bathing well	43" x 19"	54" x 30"	318 lbs.
	water depth	capacity	
To overflow	15"	62 gal.	

* Approximate measurements for comparison only.

Installation Notes

Refer to installation instructions included with fixture before beginning installation.



Roughing-In Notes

Fixture dimensions are nominal and conform to tolerances in ANSI Standard A112.19.1.

No change in measurements if connected with drain illustrated.

Cut-out for drop-in 58-1/2" x 34-1/2"

Cut-out for undermount K-584 template required

1.25>132

K-790 Steering Bath™ Bath
105014-1-AA (-)

KOHLER®