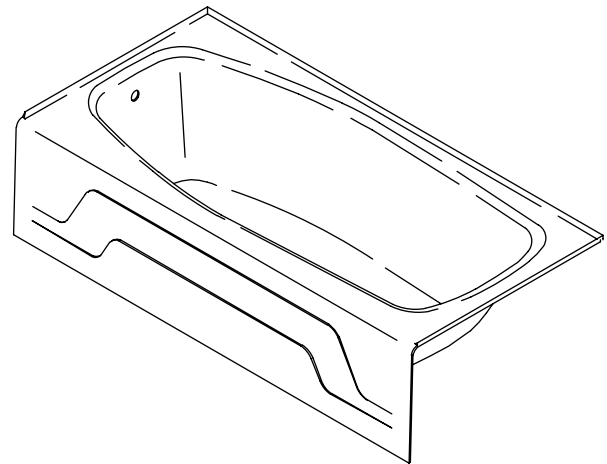


Features

- Cast iron with Safeguard® finish
- ADA compliant when installed per Section 607 of the Act
- Left or right drain
- Integral apron
- Raised bath bottom allows use of a horizontal drain from drain to wall
- 66" (167.6 cm) x 32" (81.3 cm) x 16-1/4" (41.3 cm)

BATH
K-515
ALSO K-516

ADA



Codes/Standards Applicable

Specified model meets or exceeds the following:

- ADA
- ASME A112.19.1
- ICC/ANSI A117.1
- IAPMO/UPC
- CSA International

Colors/Finishes

- 0: White
- Other: Refer to Price Book for additional colors/finishes

Accessories

- 0: White
- CP: Polished Chrome
- PB: Vibrant® Polished Brass
- Other: Refer to Price Book for additional colors/finishes

Specified Model

Model	Description	Colors/Finishes	
K-515	Bath – left drain	<input type="checkbox"/> 0	<input type="checkbox"/> Other _____
K-516	Bath – right drain	<input type="checkbox"/> 0	<input type="checkbox"/> Other _____
Recommended Accessories			
K-7160-TF	Clearflo adjustable pop-up drain – through-the-floor installation	<input type="checkbox"/> CP	<input type="checkbox"/> PB <input type="checkbox"/> Other _____
Optional Accessories			
K-1491	Pillow	<input type="checkbox"/> 0	<input type="checkbox"/> Other _____
K-1601	Footstop	<input type="checkbox"/> 0	<input type="checkbox"/> Other _____

Product Specification

The bath shall be made of cast iron with a Safeguard finish. Bath shall be 66" (167.6 cm) in length, 32" (81.3 cm) in width, and 16-1/4" (41.3 cm) in height. Bath shall feature an integral apron. Bath shall feature a raised bath bottom, which allows the use of a horizontal drain from the outlet to the wall. Bath shall be available with a left or right drain. Bath shall be ADA compliant when installed per Section 607 of the Act. The bath shall be Kohler Model K-____-____.

DYNAMETRIC®

Technical Information

Fixture*:	
Basin area:	
Bathing well	47" (119.4 cm) x 22" (55.9 cm)
Top area	60" (152.4 cm) x 25" (63.5 cm)
Weight	376 lbs (170.6 kg)
To overflow:	
Water depth	10-7/8" (27.6 cm)
Capacity	47 gal (177.9 L)
* Approximate measurements for comparison only.	

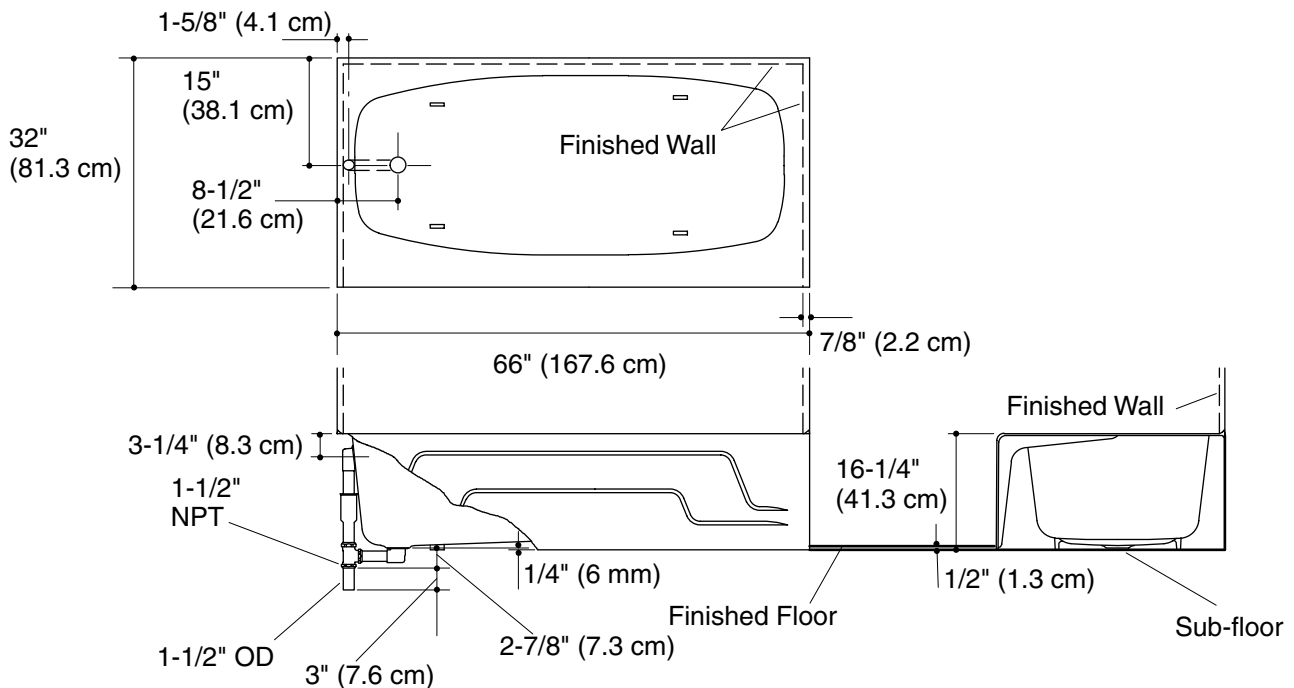
Installation Notes

Install this product according to the installation guide.

NOTICE: By design, the apron is not perpendicular. The bottom edge of the apron angles out approximately 3/4" (1.9 cm) from the top of the rim.

Floor support under bath must provide for a minimum of 54 lbs/square foot (264 kg/square meter) loading.

No change in measurements if connected with drain illustrated. (K-7160-TF)



Product Diagram