

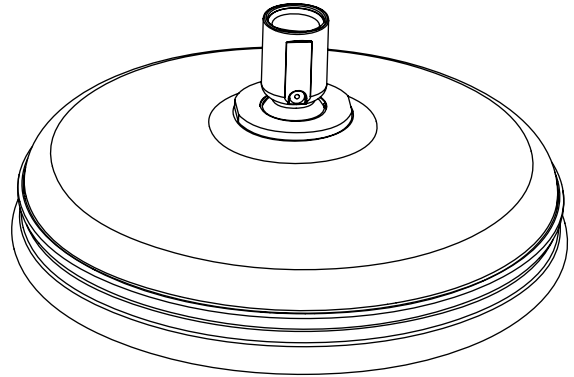
Features

- Brass construction
- 78 nozzles that prohibit mineral buildup
- 2.5 gallons (9 L) per minute flow rate
- 1/2"-14 NPT connection

Codes/Standards Applicable

Specified model meets or exceeds the following:

- ASME A112.18.1/CSA B125.1



Colors/Finishes

- CP: Polished Chrome
- Other: Refer to Price Book for additional colors/finishes

Accessories

- CP: Polished Chrome
- Other: Refer to Price Book for additional colors/finishes

Specified Model

Model	Description	Color/Finish	
K-10122	Showerhead	<input type="checkbox"/> CP	<input type="checkbox"/> Other_____
Optional Accessories			
K-7396	3" (7.6 cm) straight ceiling-mount shower arm and flange	<input type="checkbox"/> CP	<input type="checkbox"/> Other_____
K-10124	Right-angle shower arm and flange	<input type="checkbox"/> CP	<input type="checkbox"/> Other_____

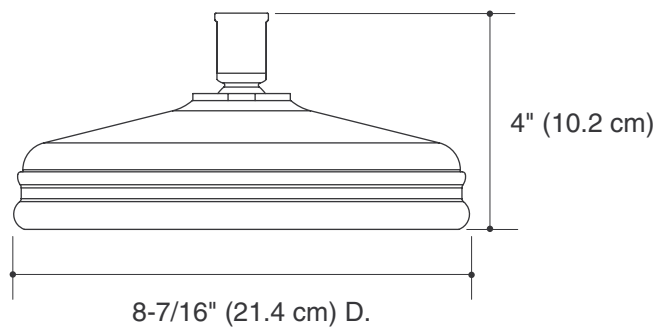
Product Specification

The brass showerhead shall have a flow rate of 2.5 gallons (9 L) per minute. Showerhead shall have faceplate with 78 nozzles that prohibit mineral buildup. Showerhead shall have a 1/2"-14 NPT connection. Showerhead shall be Kohler Model K-10122-_____.

TRADITIONAL RAIN

Installation Notes

Install this product according to the installation guide.



Product Diagram