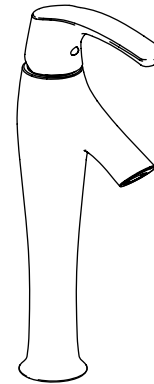


**LAVATORY FAUCET  
K-19774**

**ADA**

**Features**

- Brass construction
- One-piece, self-contained ceramic disc valve allows both volume and temperature control
- Temperature memory allows faucet to be turned on and off at any temperature setting
- High-temperature limit setting for added safety
- 3-5/8" (9.2 cm) spout
- Single-hole mounting
- Lever handle
- Lower flow aerator options are available (refer to the Kohler Price Book)
- Touch-activated drain with tailpiece and overflow



**Codes/Standards Applicable**

Specified model meets or exceeds the following:

- ADA
- ASME 112.18.1/CSA B125
- IAPMO/UPC
- NSF 61
- CSA International

**Colors/Finishes**

- CP: Polished Chrome
- Other: Refer to Price Book for additional colors/finishes

**Specified Model**

Model	Description	Description	
K-19774-4	Lavatory faucet	<input type="checkbox"/> CP	<input type="checkbox"/> Other _____

**Product Specification**

Single-control lavatory faucet shall be of brass construction. Product shall have a one-piece, self-contained ceramic disc valve, allowing both volume and temperature control. Product shall feature temperature memory, allowing the faucet to be turned on and off at any temperature setting. Product shall feature a high-temperature limit stop and single-hole mounting. Product shall have a 2.2 gallon (8.3 liter) per minute flow rate with lower flow aerator options available (refer to the Kohler Price Book). Product shall include flexible connections for easy installation, a 3-5/8" (9.2 cm) spout, a lever handle, and a touch-activated drain. Faucet shall be Kohler Model K-19774-4-\_\_\_\_\_.

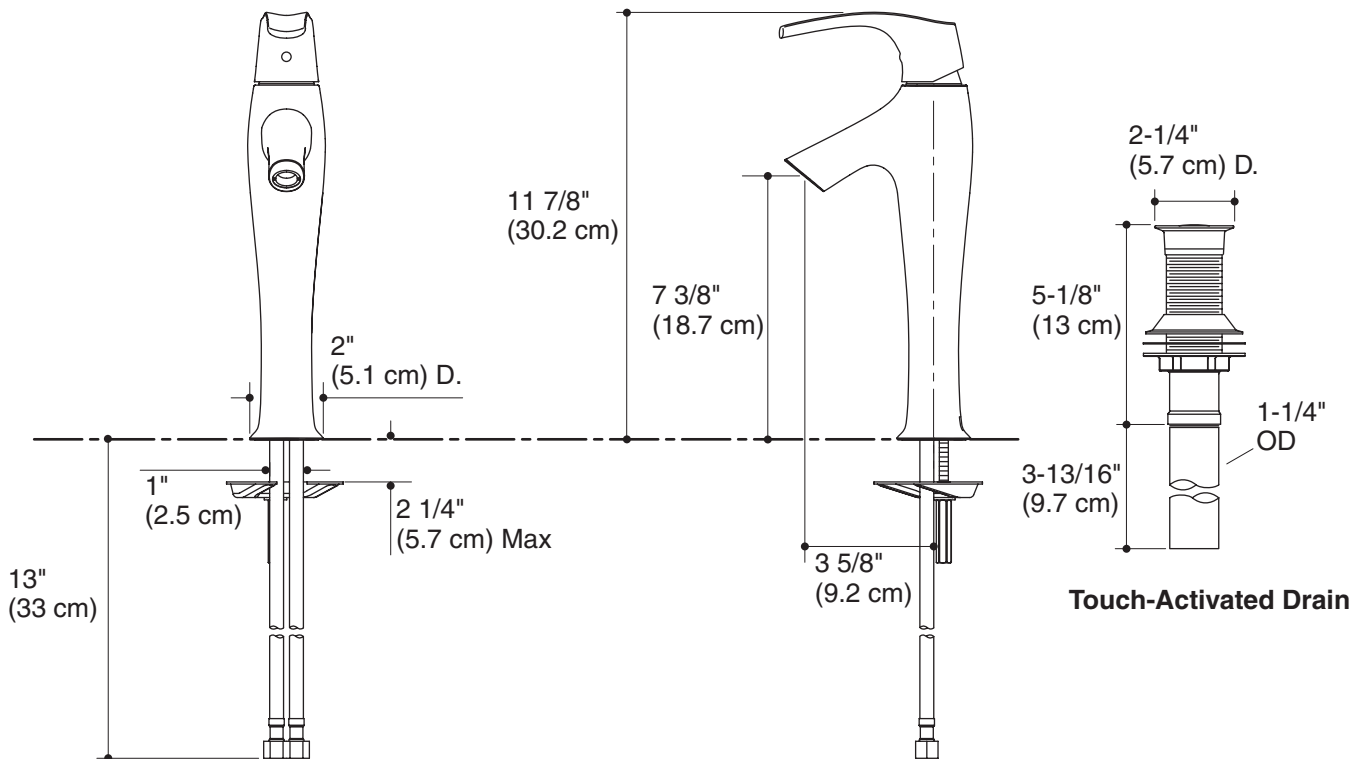
# SYMBOL™

## Technical Information

Included components:	
Drain	1035625

## Installation Notes

Install this product according to the installation guide.



## Product Diagram