

**LAVATORY FAUCET  
K-8855**

ADA

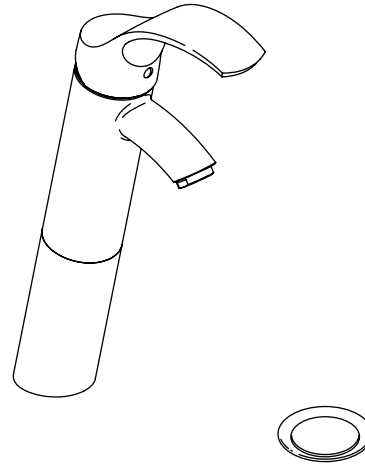
**Features**

- Brass construction
- One-piece, self-contained ceramic disc valve allows both volume and temperature control
- Temperature memory allows faucet to be turned on and off at any temperature setting
- High-temperature limit setting for added safety
- 2.2 gallons (8.3 L) per minute maximum flow rate
- Lower flow aerator options are available (refer to the Kohler Price Book)
- Single-hole mounting
- Flexible connections for easy installation
- Touch-activated drain with tailpiece and overflow

**Codes/Standards Applicable**

Specified model meets or exceeds the following:

- ASME 112.18.1/CSA B125
- IAPMO/cUPC
- NSF 61
- ADA



**Colors/Finishes**

- CP: Polished Chrome
- Other: Refer to Price Book for additional colors/finishes

**Specified Model**

Model	Description	Colors/Finishes	
K-8855-4	Single-control lavatory faucet with lever handle and touch activated drain	<input type="checkbox"/> CP	<input type="checkbox"/> Other _____

**Product Specification**

Single-control lavatory faucet shall be of brass construction and rated at 2.2 gallons (8.3 L) per minute. Faucet shall have lower flow aerator options. Valve shall be a one-piece, self-contained ceramic disc valve, allowing volume and temperature control. Valve shall feature temperature memory, allowing the faucet to be turned on and off at any temperature setting. Valve includes a high-temperature limit stop. Faucet shall be single-hole mounted, and shall include flexible connections, 5" (12.6 cm) spout, lever handle, and touch-activated drain. Faucet shall be Kohler Model K-8855-4-\_\_\_\_\_.

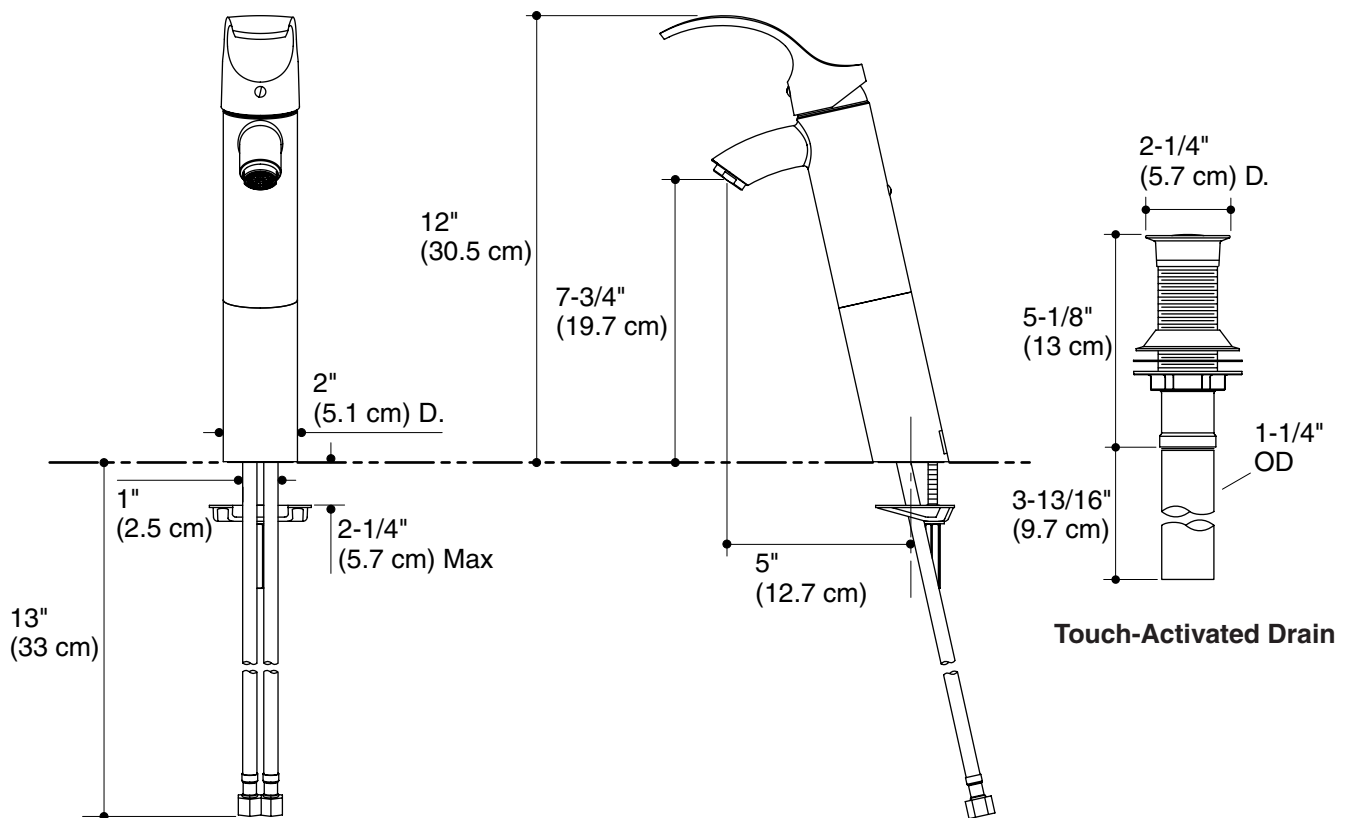
# SALUTE™

## Technical Information

Included components:	
Drain	1035625

## Installation Notes

Install this product according to the installation guide.



## Product Diagram