

Features

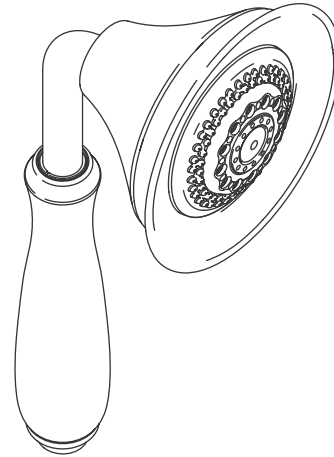
- Adjustable oversized sprayface
- MasterClean™ sprayface resists hard water buildup and is easy to clean
- Ergonomic sprayhead pivots for targeted hydromassage or for rinsing the shower enclosure
- Complements Forté® faucet line
- 2.5 gallon (9.5 L) per minute flow rate
- Full-coverage, therapeutic massage, soft-aerated spray, and water-saving eco spray options

**MULTI-FUNCTION HANDSHOWER
K-10286**

ADA

CSA B651

OBC



Codes/Standards Applicable

Specified model meets or exceeds the following:

- ADA
- ICC/ANSI A117.1
- CSA B651
- OBC
- ASME A112.18.1/CSA B125.1

Colors/Finishes

- CP: Polished Chrome
- Other: Refer to Price Book for additional colors/finishes

Accessories

- CP: Polished Chrome

Specified Model

Model	Description	Colors/Finishes	
K-10286	Multi-function handshower	<input type="checkbox"/> CP	<input type="checkbox"/> Other ____
Required Accessories			
K-8593	72" (182.9 cm) metal shower hose OR	U	<input type="checkbox"/> CP
K-9514	60" (152.4 cm) metal shower hose		<input type="checkbox"/> CP

Product Specification

Multi-function handshower shall feature an adjustable oversized sprayface. Handshower shall feature a Masterclean sprayface which resists hard water buildup and is easy to clean. Handshower shall feature an ergonomic sprayhead which pivots for targeted hydromassage or for rinsing the shower enclosure. Handshower shall have a 2.5 gallon (9.5 L) per minute flow rate. Handshower shall feature full-coverage, therapeutic massage, soft-aerated spray, and water-saving eco spray options. Handshower complements the Forté faucet line. Multi-function handshower shall be Kohler Model K-10286-_____.

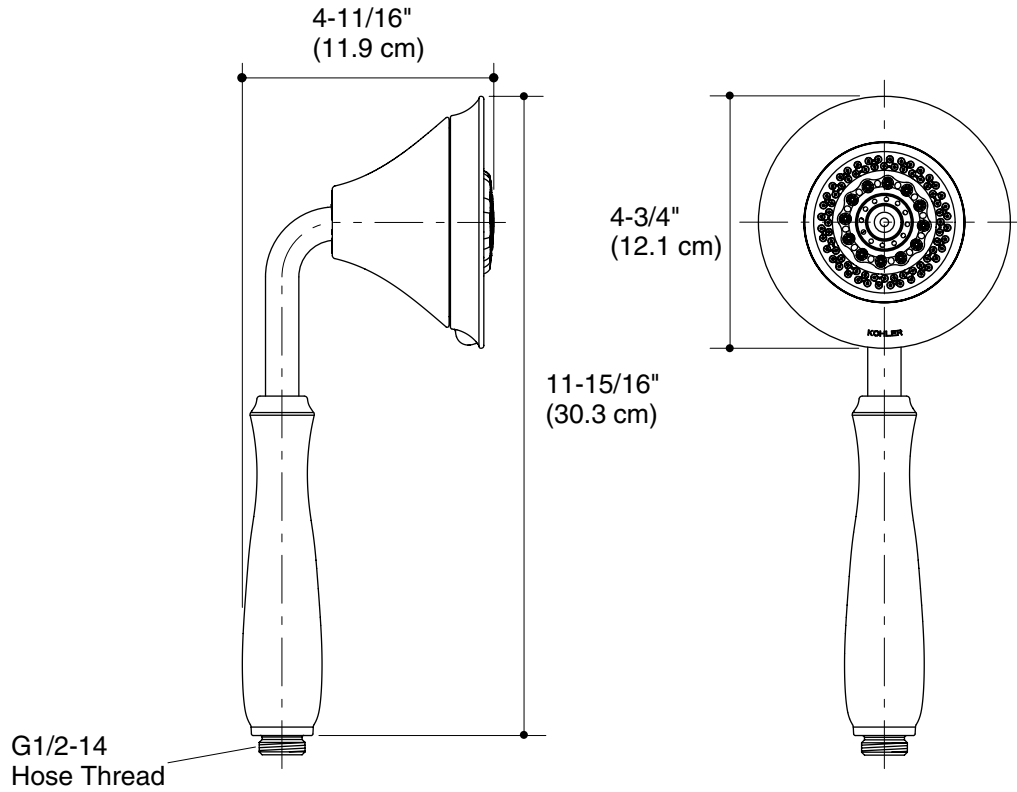
FORTÉ®

Installation Notes

Install this product according to the installation guide.

Plumbing codes require an atmospheric vacuum breaker (such as Kohler Model K-9660) be installed in line with handshowers. Please consult with local plumbing officials.

ADA, CSA B651, OBC compliant when installed to the specific requirements of these regulations.



Product Diagram