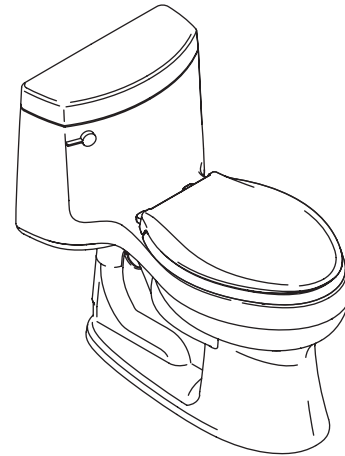


### COMFORT HEIGHT® TOILET K-3489

ADA

#### Features

- Vitreous china
- Elongated bowl
- Class Five® flushing system
- Polished chrome trip lever
- Includes seat and cover
- Less supply
- Available with right-hand or left-hand trip lever
- Comfort Height®
- 1.6 gpf (6 lpf) or 1.4 gpf (5.3 lpf)
- 12" (30.5 cm) rough-in
- 2-1/8" (5.4 cm) glazed trapway
- One-piece
- ADA compliant when installed following installation notes
- 11-1/2" (29.2 cm) x 8-1/2" (21.6 cm) water area
- 29-5/16" (74.5 cm) x 17-5/8" (44.8 cm) x 28-3/4" (73 cm)



#### Codes/Standards Applicable

Specified model meets or exceeds the following:

- ADA
- ASME A112.19.2/CSA B45.1
- ICC/ANSI A117.1

#### Colors/Finishes

- 0: White
- Other: Refer to Price Book for additional colors/finishes

#### Accessories

- 0: White
- CP: Polished Chrome
- PB: Vibrant® Polished Brass
- Other: Refer to Price Book for additional colors/finishes

#### Specified Model

Model	Description	Trip Lever	Colors/Finishes	
K-3489	Comfort Height toilet	left-hand	<input type="checkbox"/> 0	<input type="checkbox"/> Other_____
K-3489-RA	Comfort Height toilet	right-hand	<input type="checkbox"/> 0	<input type="checkbox"/> Other_____

#### Recommended Accessories

K-7637	Angle supply with stop – 3/8" NPT	<input type="checkbox"/> CP	<input type="checkbox"/> PB	<input type="checkbox"/> Other_____
--------	-----------------------------------	-----------------------------	-----------------------------	-------------------------------------

#### Optional Accessories

K-4650	Lustra™ elongated open-front toilet seat – for ADA compliance	<input type="checkbox"/> 0		<input type="checkbox"/> Other_____
--------	---	----------------------------	--	-------------------------------------

Optional Accessories table is on page 2.

#### Product Specification

The elongated one-piece toilet shall be made of vitreous china. Toilet shall be 29-5/16" (74.5 cm) in length, 17-5/8" (44.8 cm) in width, and 28-3/4" (73 cm) in height with a 11-1/2" (29.2 cm) x 8-1/2" (21.6 cm) water area. Toilet shall be 12" (30.5 cm) rough-in and 2-1/8" (5.4 cm) glazed trapway. Toilet shall be 1.6 gpf (6 lpf) or 1.4 gpf (5.3 lpf) with Class Five® flushing system. Toilet shall be ADA compliant (when installed following installation notes). Toilet shall include seat and cover, and polished chrome trip lever. Toilet shall be available with left-hand or right-hand trip lever, and less supply. Toilet shall be Kohler Model K-3489-\_\_\_\_\_ or K-3489-RA\_\_\_\_\_.

# CIMARRON®

## Optional Accessories

K-9466-L	Left-hand trip lever (non-CP)	<input type="checkbox"/> PB	<input type="checkbox"/> Other___
K-9466-R	Right-hand trip lever (non-CP)	<input type="checkbox"/> PB	<input type="checkbox"/> Other___

## Technical Information

Fixture:	
Configuration	one-piece, elongated
Water per flush	1.6 gal (6 L) or 1.4 gal (5.3 L)
Passageway	2-1/8" (5.4 cm)
Water area	11-1/2" (29.2 cm) x 8-1/2" (21.6 cm)
Water depth from rim	6-1/8" (15.5 cm)
Seat post hole centers	5-1/2" (14 cm)

## Included components:

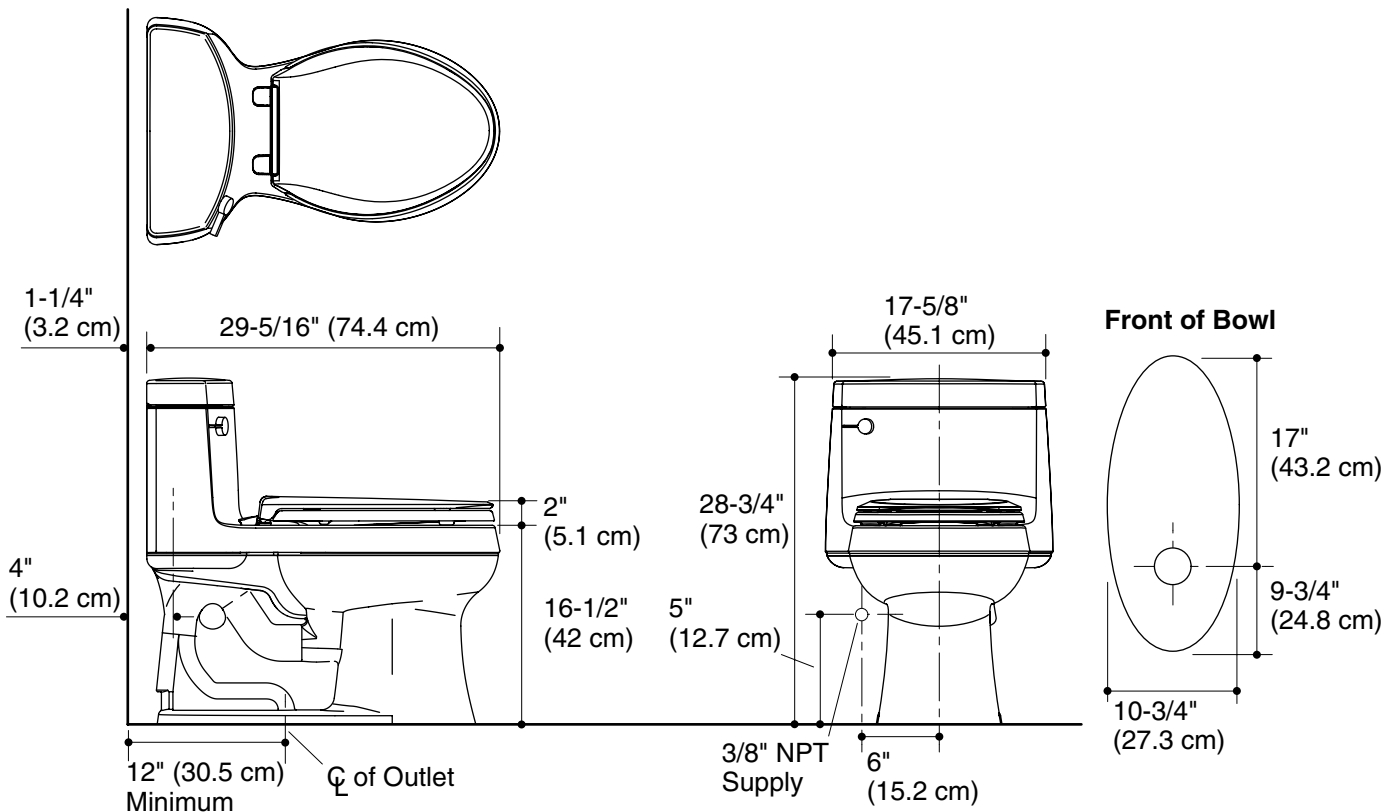
Seat	K-4636
Tank cover	1036367
Trip lever, left-hand	K-9466-L
Trip lever, right-hand	K-9466-R
Bolt cap accessory pack	1013092
Tank accessory pack	52265

## Installation Notes

Install this product according to the installation guide.

Will comply with the American Disabilities Act (ADA) when installed per the requirements of the Accessibility Guidelines, Section 604 Water Closets, of the Act, which include the installation of an open front seat.

Section 604 states the required height of the toilet is 17" (43.2 cm) to 19" (48.3 cm) from the floor to the top of the seat to meet ADA requirements.



## Product Diagram