

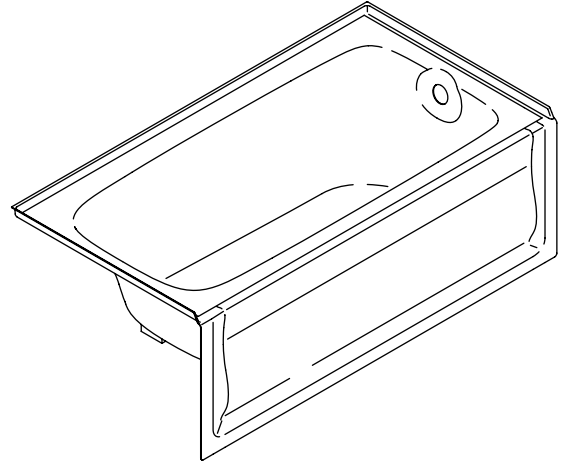
BANCROFT® 5'

Features

- Acrylic
- Integral apron
- Integral tile flange
- 60 gallon (227.1 L) capacity
- Molded lumbar supports
- 60" (152.4 cm) x 32" (81.3 cm) x 20" (50.8 cm)

BATH WITH INTEGRAL APRON

K-1150-LA
ALSO K-1150-RA



Codes/Standards Applicable

Specified model meets or exceeds the following:

- ANSI Z124.1.2

Colors/Finishes

- 0: White
- Other: Refer to Price Book for additional colors/finishes

Accessories

Specified Model

Model	Description	Colors/Finishes	
K-1150-LA	Bath with integral apron, left drain	<input type="checkbox"/> 0	<input type="checkbox"/> Other _____
K-1150-RA	Bath with integral apron, right drain (shown)	<input type="checkbox"/> 0	<input type="checkbox"/> Other _____
Recommended Accessories			
K-11677	Swiftflo™ adjustable trip lever drain	<input type="checkbox"/> CP	<input type="checkbox"/> Other _____

Product Specification

The acrylic bath shall be 60" (152.4 cm) in length, 32" (81.3 cm) in width, and 20" (50.8 cm) in height. Bath shall have an integral apron and integral tile flange. Bath shall have molded lumbar supports. Bath shall have a capacity of 60 gallons (227.1 L). Bath shall be Kohler Model K-1150-_____-_____.

BANCROFT® 5'

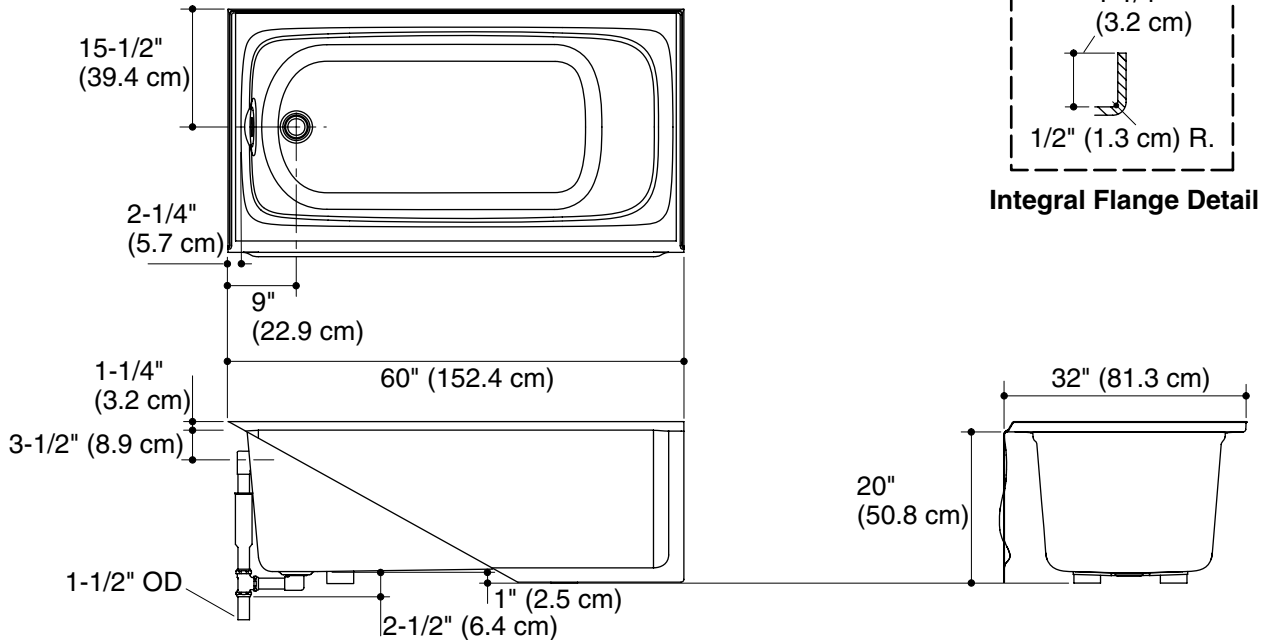
Technical Information

Fixture:*	
Bathing well:	
Basin area	45" (114.3 cm) x 22" (55.9 cm)
Top area	54" (137.2 cm) x 25" (63.5 cm)
Bath with apron	
Weight	80 lbs (36.3 kg)
To overflow:	
Water depth	15" (38.1 cm)
Capacity	60 gal (227.1 L)
* Approximate measurements for comparison only.	

Installation Notes

Install this product according to the installation guide. Unless otherwise specified, floor support under bath must provide for a minimum of 45 lbs/square foot (222 kg/square meter) loading.

No change in measurements if connected with drain illustrated. (K-11677)



Product Diagram