

### UNDERCOUNTER SINK K-3359 ALSO K-3359-L

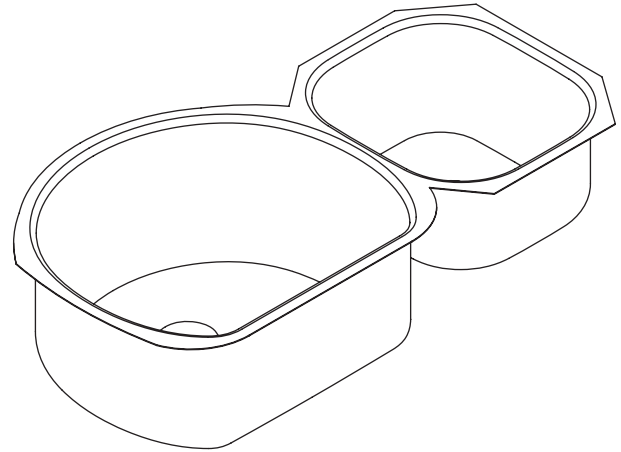
#### Features

- 18-gauge stainless steel
- Double (large/medium) compartment
- Undercounter
- Includes installation hardware
- 9-1/2" (24.1 cm) deep left basin and 7-1/2" (19.1 cm) deep right basin for K-3359 model
- 7-1/2" (19.1 cm) deep left basin and 9-1/2" (24.1 cm) deep right basin for K-3359-L model
- 36-7/8" (93.7 cm) x 19" (48.3 cm)

#### Codes/Standards Applicable

Specified model meets or exceeds the following:

- ASME A112.19.3/CSA B45.4



#### Colors/Finishes

- NA: None applicable

#### Accessories:

- CP: Polished Chrome
- 0: White
- NA: None applicable
- Other: Refer to Price Book for additional colors/finishes

#### Specified Model

Model	Description	Colors/Finishes
K-3359	Undercounter sink (deeper basin on left)	<input type="checkbox"/> NA
K-3359-L	Undercounter sink (deeper basin on right)	<input type="checkbox"/> NA

Optional Accessories			
K-3291	Colander (for smaller basin)	<input type="checkbox"/> 0	<input type="checkbox"/> Other_____
K-3280	Wire basket (for larger basin)	<input type="checkbox"/> 0	<input type="checkbox"/> Other_____
K-3278	Hardwood cutting board (for smaller basin)		<input type="checkbox"/> NA
K-8801	Duostrainer® sink strainer	<input type="checkbox"/> CP	<input type="checkbox"/> Other_____

#### Product Specification:

The undercounter sink shall be 36-7/8" (93.7 cm) in length and 19" (48.3 cm) in width. Sink shall be made of 18 gauge stainless steel. Sink shall be double (large/medium) compartment. K-3359 shall have 9-1/2" (24.1 cm) deep left basin and 7-1/2" (19.1 cm) deep right basin. K-3359-L shall have 7-1/2" (19.1 cm) deep left basin and 9-1/2" (24.1 cm) deep right basin. Sink shall include installation hardware. Sink shall be Kohler Model K-3359-\_\_\_\_\_.

# UNDERTONE®

## Technical Information

Basin area dimensions shown for K-3359 model; reverse basin area dimensions for K-3359-L model.

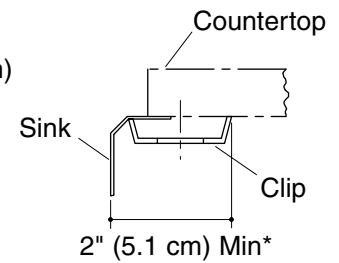
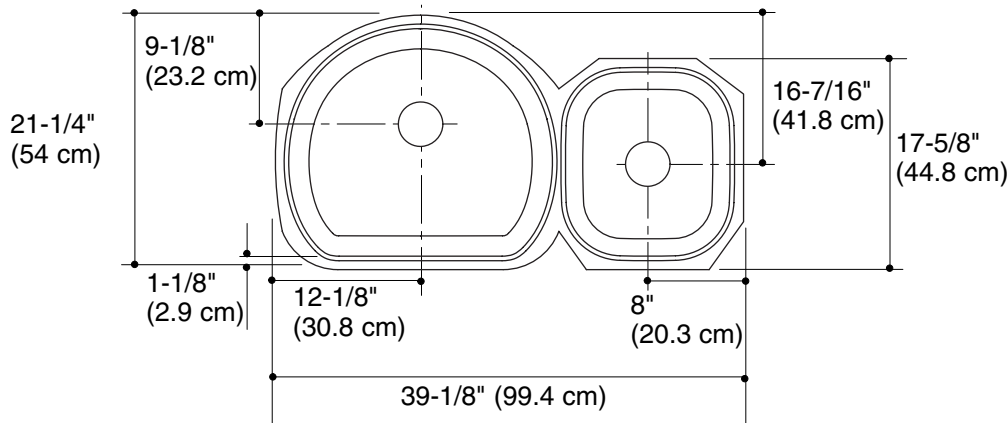
Fixture:*	basin area	water depth
Sink, left	19" (55.9 cm) x 22" (48.3 cm)	9-1/2" (24.1 cm)
Sink, right	14" (35.6 cm) x 15" (38.1 cm)	7-1/2" (19.1 cm)
Drain Holes	3-5/8" (9.2 cm) D.	
* Approximate measurements for comparison only.		

Included Components:	
Hardware kit (4 required)	91915
Cut-out template (K-3359)	1040325-7
Cut-out template (K-3359-L)	1040326-7

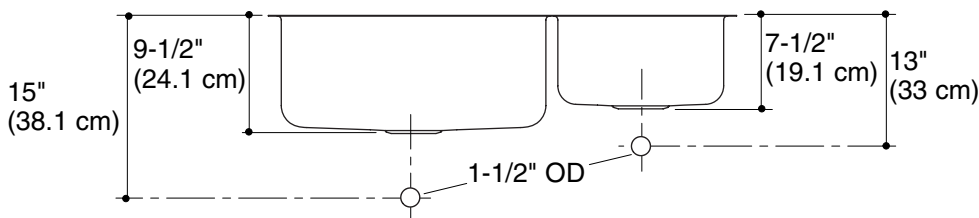
## Installation Notes

Install this product according to the installation guide.

**Dimensions for K-3359 model shown. Location of each basin is reversed for K-3359-L model.**



\* Allow clearance around sink rim for clip attachment.



## Product Diagram