

UNDERCOUNTER SINK K-3197

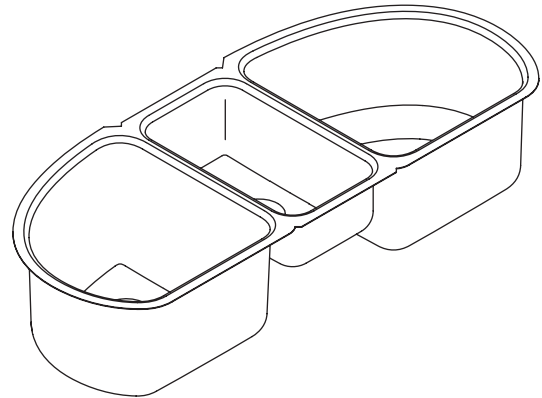
Features

- 18-gauge stainless steel
- Undercounter
- Includes installation hardware
- Triple compartment with two equal basins and a center disposal basin
- 9-1/2" (24.1 cm) deep right and left basins, and 5-1/2" (14 cm) deep center disposal basin
- 42-7/16" (107.8 cm) x 15-3/4" (40 cm)

Codes/Standards Applicable

Specified model meets or exceeds the following:

- ASME A112.19.3/CSA B45.4



Colors/Finishes

- NA: None applicable

Accessories

- CP: Polished Chrome
- Other: Refer to Price Book for additional colors/finishes

Specified Model

Model	Description	Colors/Finishes	
K-3197	Undercounter sink	<input type="checkbox"/> NA	
Optional Accessories			
K-8801	Duostrainer® sink strainer	<input type="checkbox"/> CP	<input type="checkbox"/> Other_____

Product Specification

The undercounter sink shall be 42-7/16" (107.8 cm) in length and 15-3/4" (40 cm) in width. Sink shall be made of 18 gauge stainless steel. Sink shall be triple compartment with two equal basins and one center disposal basin. Sink shall be have 9-1/2" (24.1 cm) deep right and left basins, and a 5-1/2" (14 cm) deep center disposal basin. Sink shall include installation hardware. Sink shall be Kohler Model K-3197-NA.

UNDERTONE®

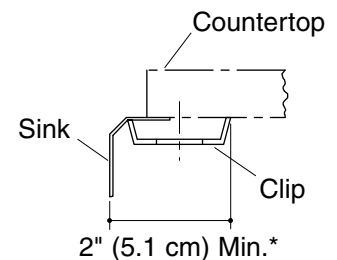
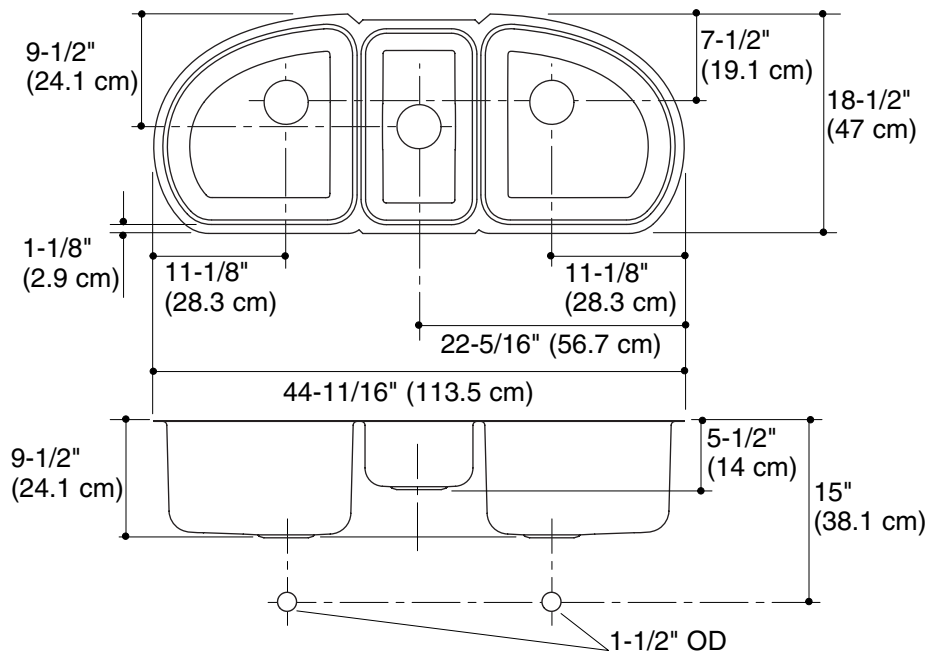
Technical Information

Fixture:*	Basin area	Water depth
Sink, left	16-1/8" (41 cm) x 15-5/8" (39.7 cm)	9-1/2" (24.1 cm)
Disposal	9" (22.9 cm) x 15-3/4" (40 cm)	5-1/2" (14 cm)
Sink, right	16-1/8" (41 cm) x 15-5/8" (39.7 cm)	9-1/2" (24.1 cm)
Drain holes	3-5/8" (9.2 cm) D.	
* Approximate measurements for comparison only.		

Included components:	
Hardware kit (4 required)	91915
Cut-out template	1040327-7

Installation Notes

Install this product according to the installation guide.



* Allow clearance around sink rim for clip attachment.



Product Diagram