

### UNDERCOUNTER SINK K-3185

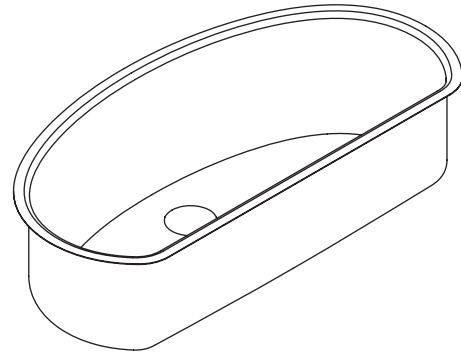
#### Features

- 18-gauge stainless steel
- Undercounter
- Single compartment
- Includes installation hardware
- 35-1/4" (89.5 cm) x 16-1/4" (41.3 cm)

#### Codes/Standards Applicable

Specified model meets or exceeds the following:

- ASME A112.19.3/CSA B45.4



#### Colors/Finishes

- NA: None applicable

#### Accessories

- CP: Polished Chrome
- Other: Refer to Price Book for additional colors/finishes

#### Specified Model

Model	Description	Colors/Finishes	
K-3185	Undercounter sink	<input type="checkbox"/> NA	
Optional Accessories			
K-8801	Duostrainer® sink strainer	<input type="checkbox"/> CP	<input type="checkbox"/> Other _____

#### Product Specification

The undercounter sink shall be 35-1/4" (89.5 cm) in length and 16-1/4" (41.3 cm) in width. Sink shall be made of 18 gauge stainless steel. Sink shall be single compartment. Sink shall include installation hardware. Sink shall be Kohler Model K-3185-NA.

# UNDERTONE®

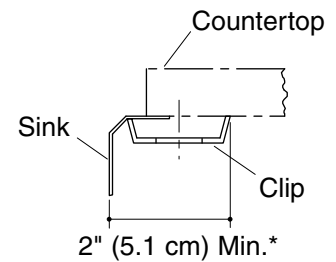
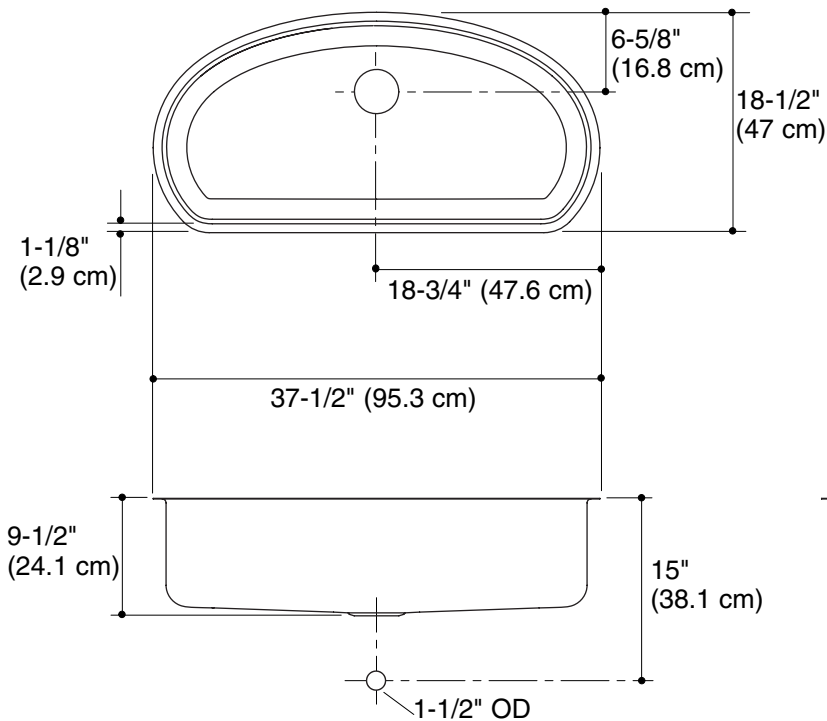
## Technical Information

Fixture:*	
Sink	
Basin area	35-1/4" (89.5 cm) x 16-1/4" (41.3 cm)
Water depth	9-1/2" (24.1 cm)
Drain Hole	3-5/8" D. (9.2 cm)
* Approximate measurements for comparison only.	

Included components:	
Hardware kit (4 required)	91915
Cut-out template	1040320-7

## Installation Notes

Install this product according to the installation guide.



\* Allow clearance around sink rim for clip attachment.

## Product Diagram