

COMFORT HEIGHT® TOILET K-3487

ADA

Features

- Vitreous china
- Comfort Height®
- Combination toilet
- Class Five® flushing system
- Elongated bowl
- Less seat and supply
- 1.6 gpf (6 lpf) or 1.4 gpf (5.3 lpf)
- 12" (30.5 cm) rough-in
- 2-1/8" (5.4 cm) glazed trapway
- ADA compliant when installed following installation notes
- 11-3/8" (28.9 cm) x 9-1/4" (23.5 cm) water area
- 30-5/8" (77.8 cm) x 18-1/4" (46.4 cm) x 31-1/2" (80 cm)



Codes/Standards Applicable

Specified model meets or exceeds the following:

- ADA
- ASME A112.19.2/CSA B45.1
- ICC/ANSI A117.1

Colors/Finishes

- 0: White
- Other: Refer to Price Book for additional colors/finishes

Accessories

- 0: White
- CP: Polished Chrome
- PB: Vibrant® Polished Brass
- Other: Refer to Price Book for additional colors/finishes

Specified Model

Model	Description	Trip Lever	Colors/Finishes	
K-3487	Elongated bowl toilet with tank	left-hand	<input type="checkbox"/> 0	<input type="checkbox"/> Other_____
Recommended Accessories				
K-7637	Angle supply with stop – 3/8" NPT	<input type="checkbox"/> CP	<input type="checkbox"/> PB	<input type="checkbox"/> Other_____
Optional Accessories				
K-4650	Lustra™ elongated open-front toilet seat – for ADA compliance	<input type="checkbox"/> 0		<input type="checkbox"/> Other_____
K-9475	Bancroft® left-hand trip lever (non-CP)		<input type="checkbox"/> PB	<input type="checkbox"/> Other_____

Product Specification

The elongated combination toilet shall be made of vitreous china. Toilet shall be 30-5/8" (77.8 cm) in length, 18-1/4" (46.4 cm) in width, and 31-1/2" (80 cm) in height with a 11-3/8" (28.9 cm) x 9-1/4" (23.5 cm) water area. Toilet shall have a 12" (30.5 cm) rough-in, and 2-1/8" (5.4 cm) glazed trapway. Toilet shall be 1.6 gpf (6 lpf) or 1.4 gpf (5.3 lpf) with Class Five® flushing system. Toilet shall be ADA compliant (when installed following installation notes). Toilet shall be less seat and supply. Toilet shall be Kohler Model K-3487-_____.

BANCROFT®

Technical Information

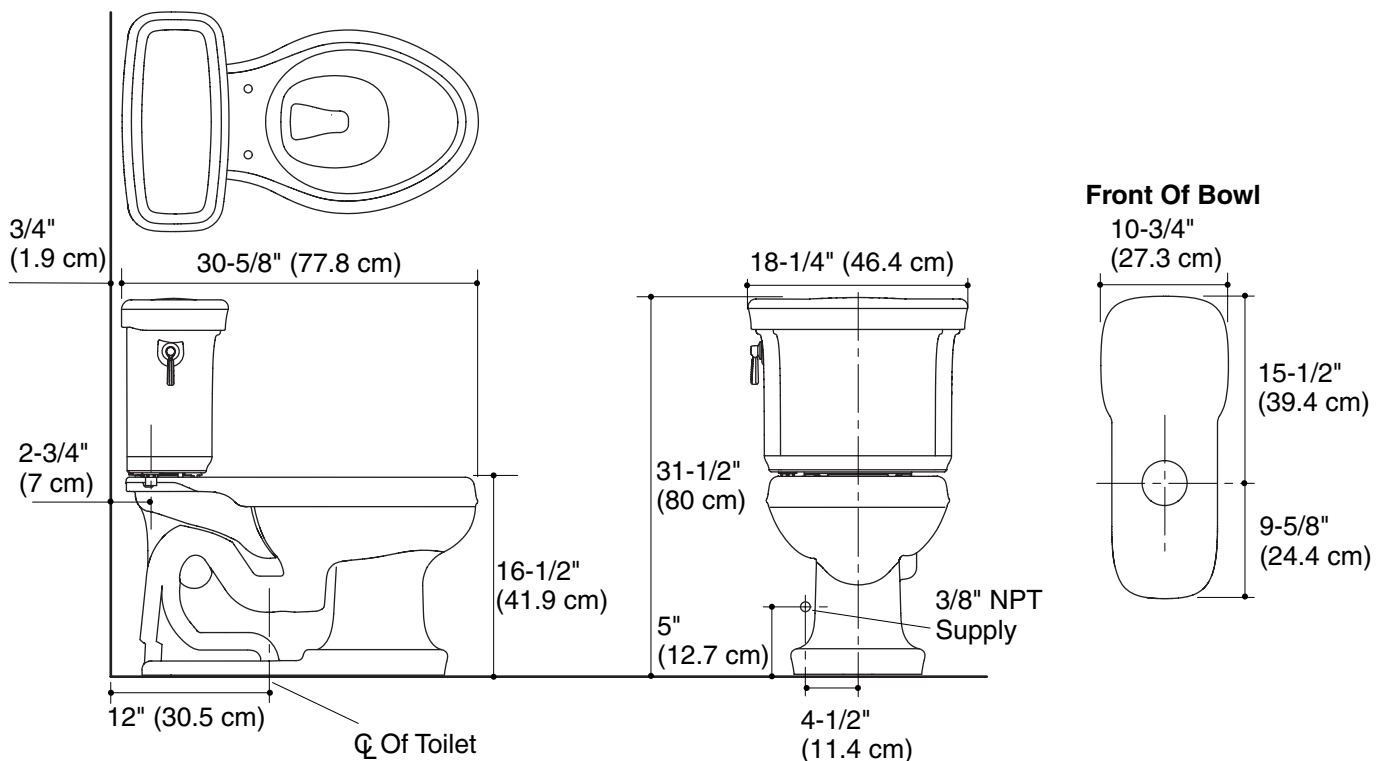
Fixture:	
Configuration	two-piece, elongated front
Water per flush	1.6 gal (6 L) or 1.4 gal (5.3 L)
Passageway	2-1/8" (5.4 cm)
Water area	11-3/8" (28.9 cm) x 9-1/4" (23.5 cm)
Water depth from rim	6" (15.2 cm)
Seat post hole centers	5-1/2" (14 cm)
Included components:	
Bowl	K-4281
Tank	K-4633
Tank cover	1033723
Trip lever	1042212
Bolt cap accessory pack	1013092
Tank accessory pack	1016548

Installation Notes

Install this product according to the installation guide.

Will comply with the American Disabilities Act (ADA) when installed per the requirements of the Accessibility Guidelines, Section 604 Water Closets, of the Act, which include the installation of an open front seat.

Section 604 states the required height of the toilet is 17" (43.2 cm) to 19" (48.3 cm) from the floor to the top of the seat to meet ADA requirements.



Product Diagram