

Features

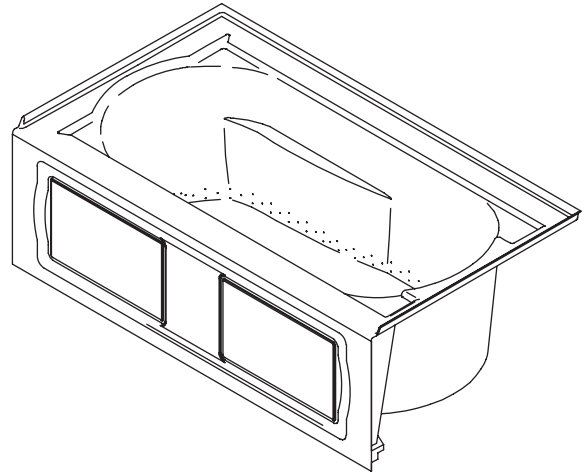
- Acrylic
- Blower motor with 300 W heater and electronic back-lit user control
- Blower motor is supplied with a grounding-type plug-in cord
- Integral apron with removable access panel
- Integral tile flange
- Left or right drain
- 120 BubbleMassage™ airjets
- Molded lumbar supports and armrests
- 60" (152.4 cm) x 32" (81.3 cm) x 20" (50.8 cm)

Codes/Standards Applicable

Specified model meets or exceeds the following:

- ANSI Z124.1.2
- IAPMO/UPC IGC 171
- UL 1795

5' BUBBLEMASSAGE™ BATH K-1357-GLA ALSO K-1357-GRA



Colors/Finishes

- 0: White
- Other: Refer to Price Book for additional colors/finishes

Accessories

- CP: Polished Chrome
- PB: Vibrant® Polished Brass
- NA: None applicable
- Other: Refer to Price Book for additional colors/finishes

Specified Model

Model	Description	Colors/Finishes	
K-1357-GLA	5' Bubblemassage bath – left drain	<input type="checkbox"/> 0	<input type="checkbox"/> Other _____
K-1357-GRA	5' Bubblemassage bath – right drain	<input type="checkbox"/> 0	<input type="checkbox"/> Other _____

Recommended Accessories					
K-1446	Remote blower installation kit	NA			
K-7161-AF	Adjustable pop-up drain		<input type="checkbox"/> CP	<input type="checkbox"/> PB	<input type="checkbox"/> Other _____

Product Specification

The acrylic Bubblemassage bath shall be 60" (152.4 cm) in length, 32" (81.3 cm) in width, and 20" (50.8 cm) in height. Product shall have an integral apron with removable access panel and integral tile flange. Product shall feature molded lumbar supports and armrests. Product shall be available with left or right drain. Product shall feature a blower motor with 300 W heater, and an electronic back-lit user control. Blower motor shall be supplied with a grounding-type plug-in cord. Product shall have 120 Bubblemassage airjets. Bubblemassage bath shall be Kohler Model K-1357-____-____.

DEVONSHIRE®

Technical Information

Fixture*:				
Bathing well:				
Basin area, bottom	42" (106.7 cm) x 20" (50.8 cm)			
Basin area, top	51" (129.5 cm) x 24" (61 cm)			
Weight	98 lbs (44.5 kg)			
To overflow:				
Water depth	14-1/2" (36.8 cm)			
Capacity	60 gal (227.1 L)			
* Approximate measurements for comparison only.				
Blower motor:	Heater	V	Hz	A
	300 W	120	60	5

Required Electrical Service

Dedicated circuit required, protected with Class A Ground-Fault Circuit-Interrupter (GFCI):	
Blower motor	120 V, 15 A, 60 Hz
Blower motor is supplied with a 24" (61 cm) grounding-type plug-in cord.	

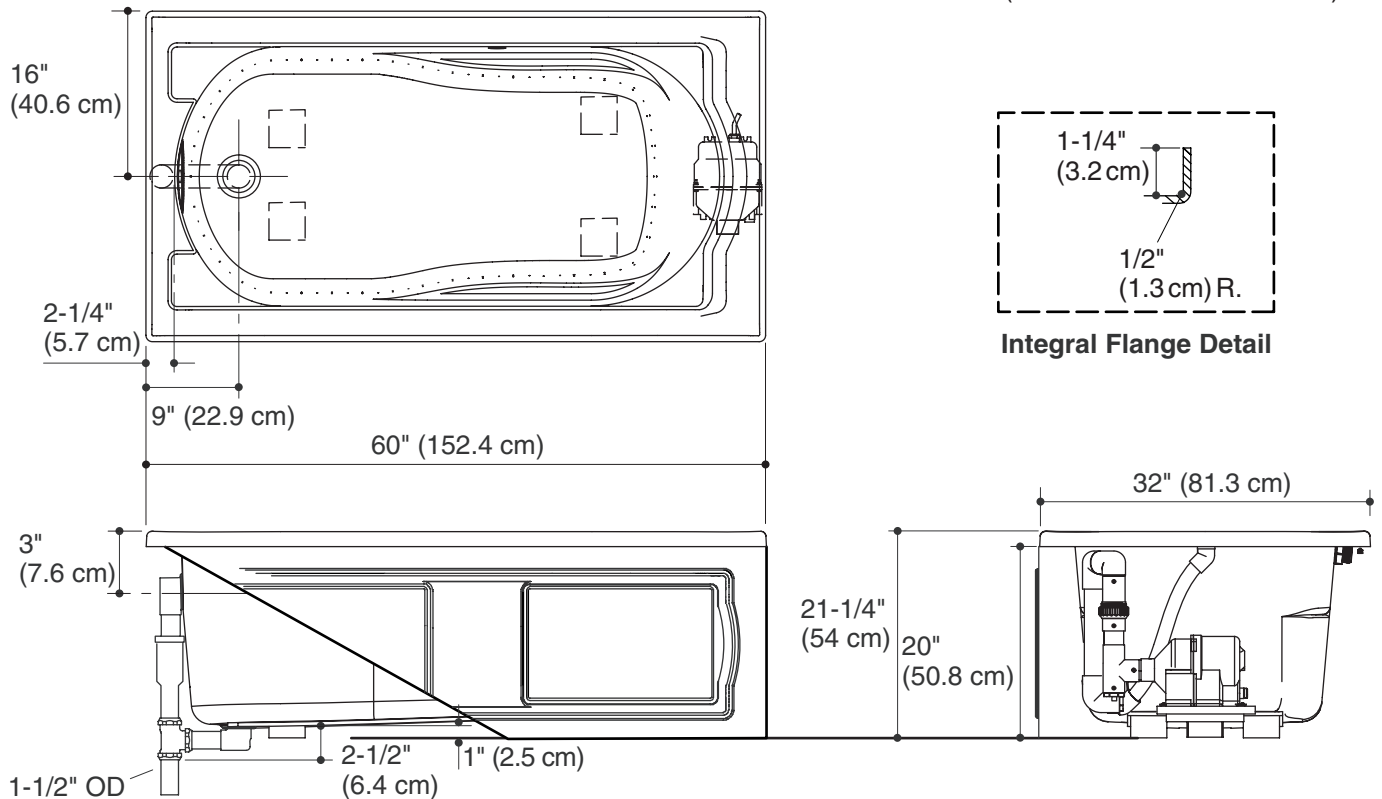
Installation Notes

NOTICE: If the blower motor and check valve are relocated, the following two procedures are required: 1. Provide two access panels. Locate one access panel at the blower motor/control location and the other access panel at the control box. **2.** Relocate the blower motor and the check valve together. Do not relocate one without the other.

Install this product according to the installation guide.

Floor support under the bath must provide for a minimum of 41 lbs/square foot (200 kg/square meter) loading.

No change in measurements with drain shown. (K-7161-AF or K-7161M-AF)



Product Diagram