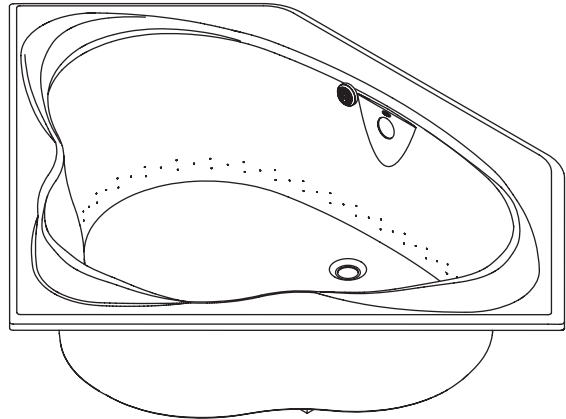


Features

- Acrylic
- 120 BubbleMassage™ airjets
- Optional K-1601 removable footstop
- Optional Model K-1243 removable apron
- Optional K-1491 removable bath pillow
- UL listed
- Blower motor with electronic control and grounding-type plug-in cord
- Drop-in [-G] or 2-side integral tile flange [-GTF]
- 60" (152.4 cm) x 60" (152.4 cm) x 21" (53.3 cm)

BUBBLEMASSAGE™ BATH K-1244-G ALSO K-1244-GTF



Codes/Standards Applicable

Specified model meets or exceeds the following:

- ANSI Z124.1.2
- IAPMO IGC 171
- UL 1795

Colors/Finishes

- 0: White
- Other: Refer to Price Book for additional colors/finishes

Accessories

- CP: Polished Chrome
- PB: Vibrant® Polished Brass
- NA: None applicable

Specified Model

Model	Description	Colors/Finishes	
K-1244-G	Bubblemassage bath – drop-in	<input type="checkbox"/> 0	<input type="checkbox"/> Other_____
K-1244-GTF	Bubblemassage bath – 2-side integral tile flange (shown)	<input type="checkbox"/> 0	<input type="checkbox"/> Other_____

Recommended Accessories

K-7161-AF	Adjustable pop-up drain	<input type="checkbox"/> CP	<input type="checkbox"/> PB	<input type="checkbox"/> Other_____
-----------	-------------------------	-----------------------------	-----------------------------	-------------------------------------

Optional Accessories

K-1243	Removable apron	<input type="checkbox"/> 0	<input type="checkbox"/> Other_____	
K-1446	Remote blower installation kit			<input type="checkbox"/> NA
K-1491	Removable pillow	<input type="checkbox"/> 0	<input type="checkbox"/> Other_____	
K-1601	Removable footstop	<input type="checkbox"/> 0	<input type="checkbox"/> Other_____	

Product Specification

The acrylic Bubblemassage bath shall be 60" (152.4 cm) in length, 60" (152.4 cm) in width, and 21" (53.3 cm) in height. Product shall be available as drop-in [-G] or 2-side integral tile flange [-GTF]. Product shall feature a 120 Bubblemassage airjets, blower motor with electronic control, and grounding-type plug-in cord. Product shall have an optional Model K-1243 removable apron, optional Model K-1601 removable footstop, and optional K-1491 removable bath pillow. Bubblemassage bath shall be Kohler Model K-1244-____-____.

SOJOURN®

Technical Information

Fixture*:	
Bathing well:	
Basin area, bottom	50" (127 cm) x 42" (106.7 cm)
Basin area, top	60" (152.4 cm) x 46" (116.8 cm)
Weight	119 lbs (54 kg)
To overflow:	
Water depth	14-1/2" (36.8 cm)
Capacity	102 gal (386.1 L)
* Approximate measurements for comparison only.	

Blower motor:	Heater	V	Hz	A
	300 W	120	60	5

Included component:	
Cut-out template, top	1000550-7
Cut-out template, bottom	1000551-7

Required Electrical Service

Dedicated circuit required, protected with Class A Ground-Fault Circuit-Interrupter (GFCI):	
Blower motor:	120 V, 15 A, 60 Hz
Blower motor is supplied with a 24" (61 cm) grounding-type plug-in cord.	

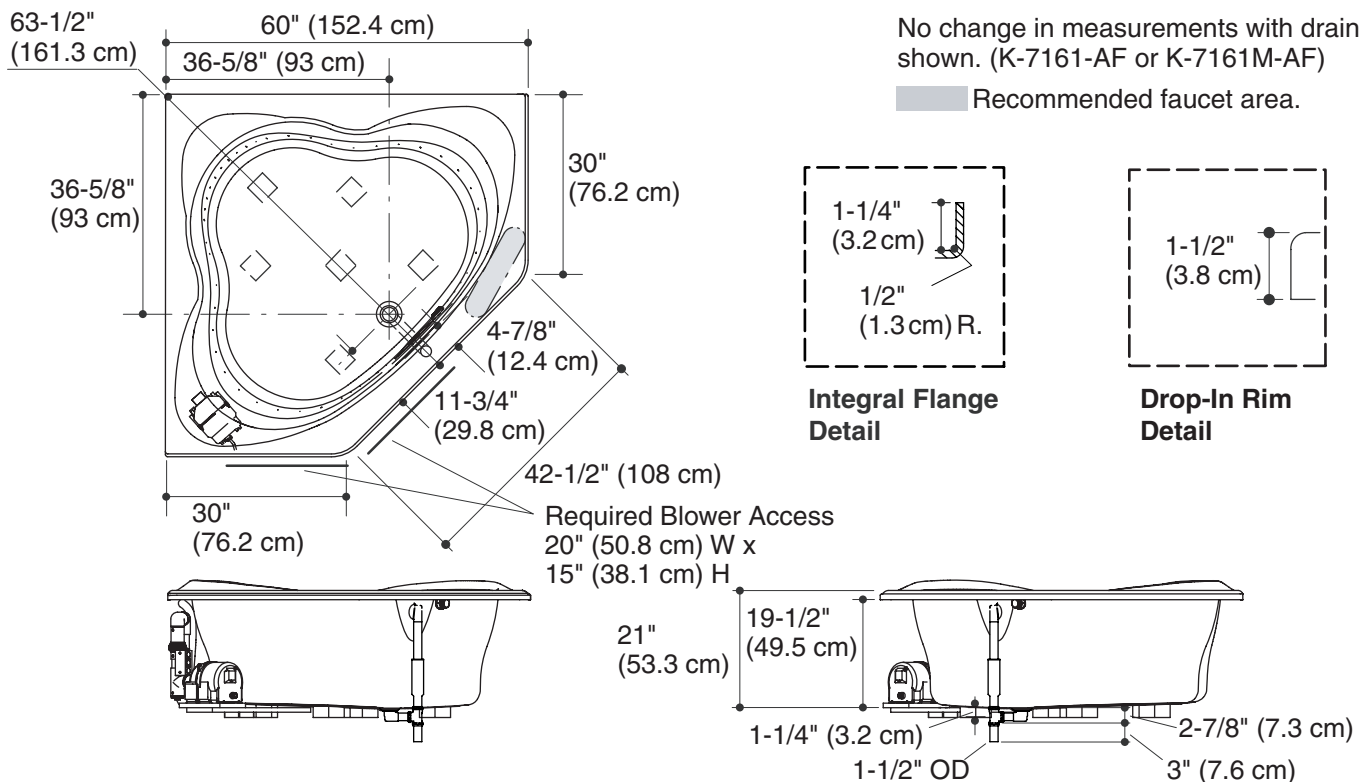
Installation Notes

NOTICE: If the blower motor and check valve are relocated, the following two procedures are required: 1. Provide two access panels. Locate one access panel at the blower motor/control location and the other access panel at the control box. **2.** Relocate the blower motor and the check valve together. Do not relocate one without the other.

Install this product according to the installation guide.

Floor support under this product must provide for a minimum of 40 lbs/square foot (195 kg/square meter) loading.

If installing a rim-mount faucet, make sure there is no interference with drain overflow and circulating system before drilling any holes. Consult local and national codes for minimum air gap requirements if installing a spout on the faucet deck.



Product Diagram