

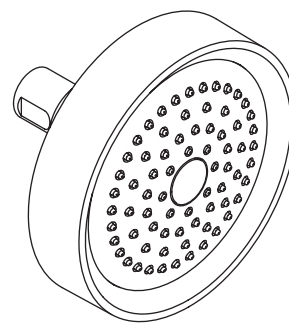
**Features**

- MasterClean™ spray nozzles prohibit mineral build-up
- Complements Taboret® Suite
- 5-1/2" (14 cm) diameter sprayface
- 1/2" - 14 NPT connection
- 2.5 gallon (9.5 L) per minute flow rate
- Single-function spray with 72 individual MasterClean spray nozzles
- Full-coverage, therapeutic massage, soft-aerated, and water-saving eco spray options

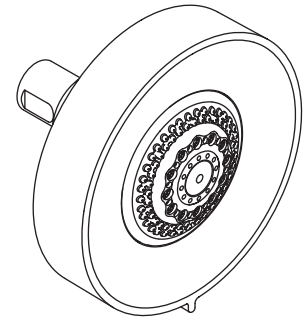
**Codes/Standards Applicable**

Specified model meets or exceeds the following:

- ASME 112.18.1/CSA B125
- IAPMO/cUPC



K-965



K-966

**Colors/Finishes**

- CP: Polished Chrome
- Other: Refer to Price Book for additional colors/finishes

**Accessories**

- CP: Polished Chrome
- PB: Vibrant® Polished Brass
- Other: Refer to Price Book for additional colors/finishes

**Specified Model**

Model	Description		
K-965	Single-function showerhead – 2.5 gallon (9.5 L) per minute flow rate	<input type="checkbox"/> CP	<input type="checkbox"/> Other ____
K-966	Multi-function showerhead – 2.5 gallon (9.5 L) per minute flow rate	<input type="checkbox"/> CP	<input type="checkbox"/> Other ____
Recommended Accessories			
K-7397	Shower arm and flange – 7-1/2" (13.7 cm) length, 1/2" NPT	<input type="checkbox"/> CP	<input type="checkbox"/> PB <input type="checkbox"/> Other ____

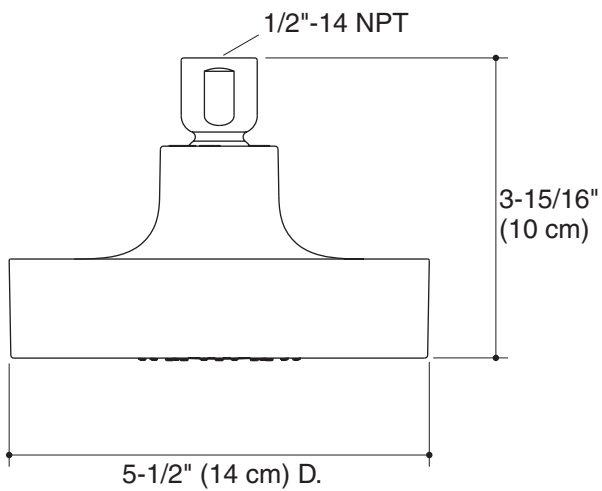
**Product Specification**

The showerhead shall feature a 5-1/2" (14 cm) diameter sprayface with a 1/2" - 14 NPT connection. Showerhead shall feature MasterClean™ spray nozzles to prohibit mineral build-up. Showerhead shall feature a 2.5 gallon (9.5 L) per minute flow rate. Showerhead shall be available as a single-function spray with 72 individual MasterClean spray nozzles [K-965]. Showerhead shall be available with a multi-function spray featuring full-coverage, therapeutic massage, soft-aerated, and water-saving eco spray options [K-966]. Showerhead shall complement the Taboret faucet line. Showerhead shall be Kohler Model K-\_\_\_\_-\_\_\_\_.

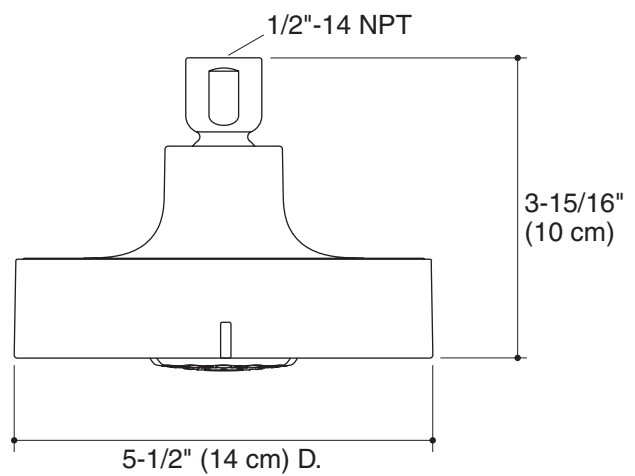
# TABORET®

## Installation Notes

Install this product according to the installation guide.



K-965



K-966

## Product Diagram