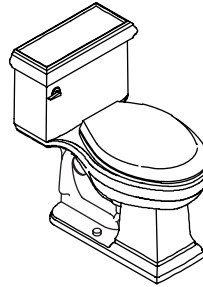


### Features

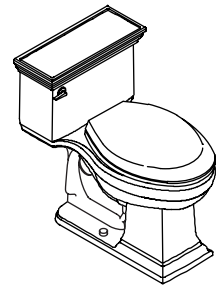
- Vitreous china
- Elongated bowl
- Comfort Height®
- Class Five® flushing system
- One-piece
- Includes seat and cover
- 1.6 gpf (6 lpf) or 1.4 gpf (5.3 lpf)
- 12" (30.5 cm) rough-in
- 2-1/8" (5.4 cm) glazed trapway
- Less supply
- ADA compliant when installed following installation notes
- 27-3/4" (70.5 cm) x 17-1/2" (44.5 cm) x 28-3/8" (72.1 cm) [K-3451]
- 27-3/4" (70.5 cm) x 18-1/4" (46.4 cm) x 28-1/8" (71.4 cm) [K-3453]
- 10-3/4" (27.3 cm) x 8-1/4" (21 cm) water area

## COMFORT HEIGHT® TOILET K-3451 ALSO K-3453

ADA



K-3451



K-3453

### Codes/Standards Applicable

Specified model meets or exceeds the following:

- ADA
- ASME A112.19.2/CSA B45.1
- ICC/ANSI A117.1

### Colors/Finishes

- 0: White
- Other: Refer to Price Book for additional colors/finishes

### Accessories

- 0: White
- CP: Polished Chrome
- PB: Vibrant® Polished Brass
- Other: Refer to Price Book for additional colors/finishes

### Specified Model

Model	Description	Colors/Finishes		
K-3451	Elongated bowl toilet – classic design	<input type="checkbox"/> 0	<input type="checkbox"/> Other_____	
K-3453	Elongated bowl toilet – stately design	<input type="checkbox"/> 0	<input type="checkbox"/> Other_____	
Recommended Accessories				
K-7637	Angle supply with stop – 3/8" NPT	<input type="checkbox"/> CP	<input type="checkbox"/> PB	<input type="checkbox"/> Other_____

Optional Accessories table is on page 2.

### Product Specification

The elongated one-piece toilet shall be made of vitreous china. Toilet shall be 27-3/4" (70.5 cm) x 17-1/2" (44.5 cm) x 28-3/8" (72.1 cm) [K-3451] or 27-3/4" (70.5 cm) x 18-1/4" (46.4 cm) x 28-1/8" (71.4 cm) [K-3453] with a 10-3/4" (27.3 cm) x 8-1/4" (21 cm) water area. Toilet shall be 1.6 gpf (6 lpf) or 1.4 gpf (5.3 lpf), with Class Five® flushing system. Toilet shall be 12" (30.5 cm) rough-in, 2-1/8" (5.4 cm) glazed trapway, and less supply. Toilet shall be ADA compliant (when installed following installation notes). Toilet shall include seat and cover. Toilet shall be Kohler Model K-\_\_\_\_\_-\_\_\_\_\_.

# MEMOIRS®

## Optional Accessories

K-502	Memoirs toilet trip lever	<input type="checkbox"/>	CP	<input type="checkbox"/>	Other_____
K-4650	Lustra™ elongated open-front toilet seat – for ADA compliance	<input type="checkbox"/>	0	<input type="checkbox"/>	Other_____
K-9477	Trip lever, non-CP	<input type="checkbox"/>	PB	<input type="checkbox"/>	Other_____

## Technical Information

Fixture:	
Configuration	one-piece, compact elongated
Water per flush	1.6 gal (6 L) or 1.4 gal (5.3 L)
Passageway	2-1/8" (5.4 cm)
Water area	10-3/4" (27.3 cm) x 8-1/4" (21 cm)
Water depth from rim	6" (15.2 cm)
Seat post hole centers	5-1/2" (14 cm)

Included components:	
Closed front seat with cover	K-4733
Tank cover – classic design <b>OR</b>	88871

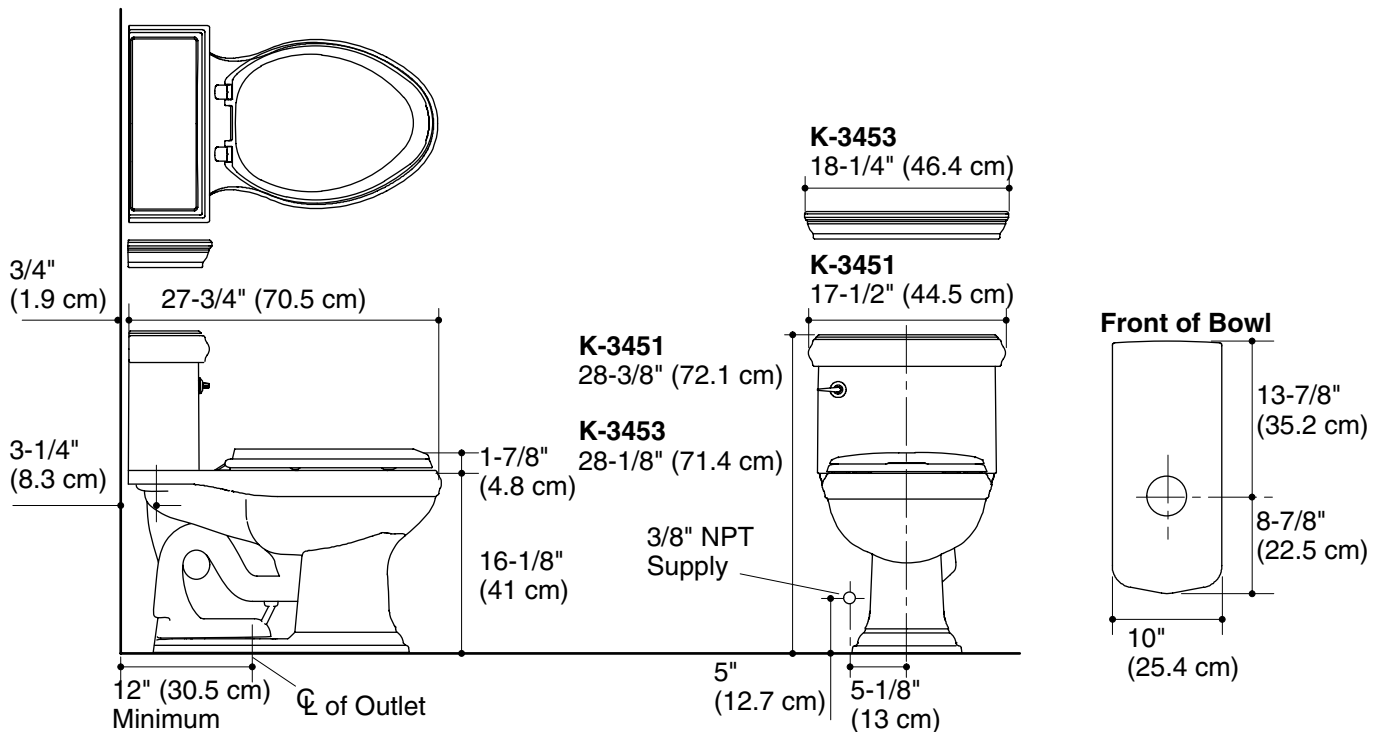
Included components:	
Tank cover – stately design	88872
Trip lever	K-9477
Bolt cap accessory pack	52048
Tank accessory pack	52265

## Installation Notes

Install this product according to the installation guide.

Will comply with the American Disabilities Act (ADA) when installed per the requirements of the Accessibility Guidelines, Section 604 Water Closets, of the Act, which include the installation of an open front seat.

Section 604 states the required height of the toilet is 17" (43.2 cm) to 19" (48.3 cm) from the floor to the top of the seat to meet ADA requirements.



## Product Diagram