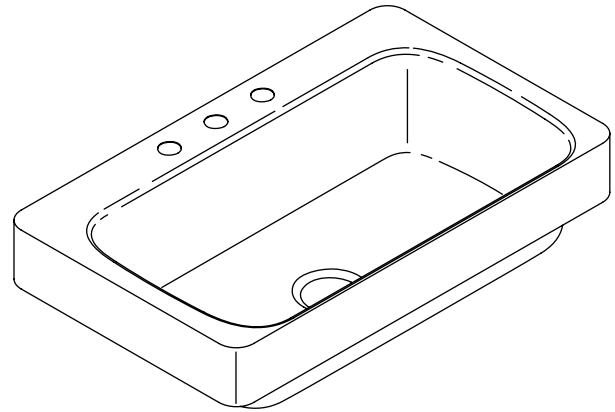


Features

- 18-gauge stainless steel
- Abrasive finish
- Single compartment
- With integral apron
- Includes installation hardware
- Countertop mount
- 3-hole (-3), or 2-hole (-2L/2R), or single-hole (-1)
- 33" (83.8 cm) x 20" (50.8 cm)

STAINLESS STEEL FULL SURROUND KITCHEN SINK K-3084



Codes/Standards Applicable

Specified model meets or exceeds the following:

- ASME A112.19.3/CSA B45.4

Colors/Finishes

- NA: None applicable

Accessories

- CP: Polished Chrome
- ST: Stainless Steel
- NA: None applicable
- Other: Refer to Price Book for additional colors/finishes

Specified Model

Model	Description	Colors/Finishes
K-3084-3	3-hole countertop sink	<input type="checkbox"/> NA
K-3084-2L/2R	2-hole countertop sink	<input type="checkbox"/> NA
K-3084-1	Single-hole countertop sink	<input type="checkbox"/> NA
Recommended Accessories		
K-9000	P-Trap	<input type="checkbox"/> CP
Optional Accessories		
K-2989	Countertop cutting board	<input type="checkbox"/> NA
K-3133	Bottom basin rack	<input type="checkbox"/> ST

Product Specification

The countertop mount stainless steel sink kitchen shall be 33" (83.8 cm) in length and 20" (50.8 cm) in width. Sink shall be made of 18 gauge stainless steel. Sink shall have abrasive finish. Sink shall be single compartment. Sink shall have integral apron. Sink shall be 3-hole (-3), 2-hole (-2L/2R), or single-hole (-1). Sink shall include installation hardware. Sink shall be Kohler Model K-3084-_____.

Optional Accessories (cont.)			
K-8801	Duostrainer® sink strainer	<input type="checkbox"/> CP	<input type="checkbox"/> Other_____
K-8803 with K-8804	Duostrainer sink strainer	<input type="checkbox"/> CP	<input type="checkbox"/> Other_____
K-8813	Stainless steel sink strainer with tailpiece	<input type="checkbox"/> CP	
K-8814	Stainless steel sink strainer less tailpiece	<input type="checkbox"/> CP	

Technical Information

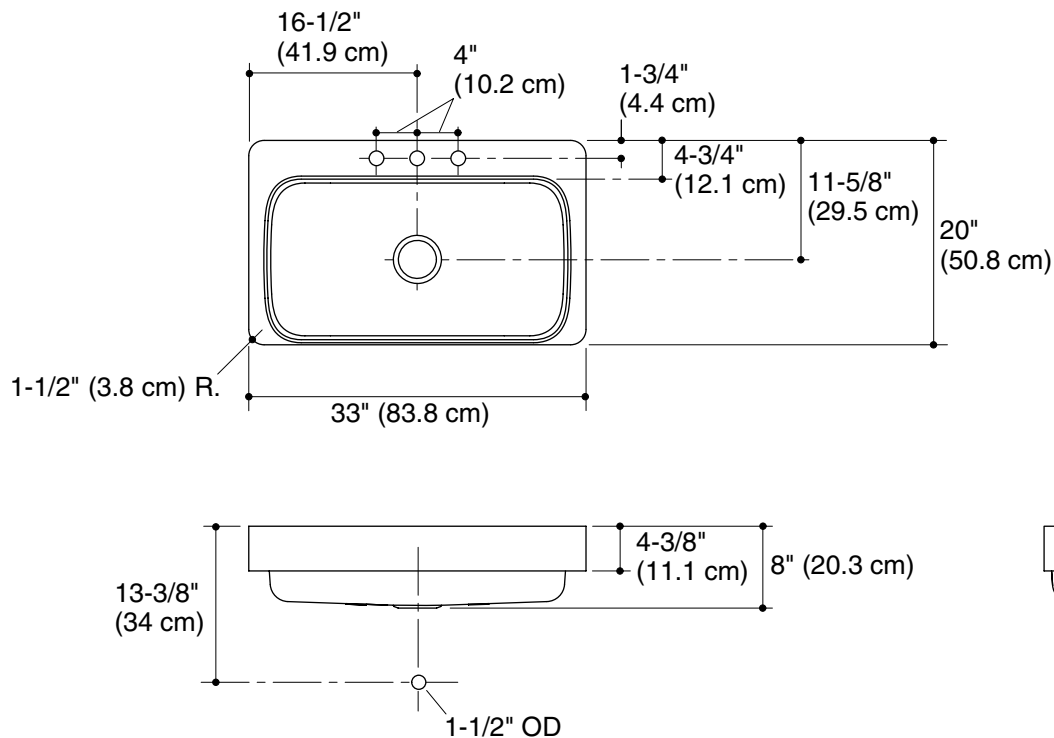
Fixture*:	
Basin area	29-1/2" (74.9 cm) x 15-3/4" (40 cm)
Water depth	7-5/8" (19.4 cm)
Drain hole	3-5/8" (9.2 cm) D.
* Approximate measurements for comparison only.	

Included components:	
Hardware kit	91915
Cut-out template	1033450-7

Installation Notes

Install this product according to the installation guide.

Due to the special nature of this installation, Kohler Co. recommends that an experienced cabinet maker use the actual sink to build the new cabinet or modify an existing cabinet.



Product Diagram