

Homeowners Guide

Bath with Airjets

K-1112, K-1114, K-1122,
K-1124, K-1151, K-1160,
K-1162, K-1164, K-1244,
K-1257, K-1337, K-1357

Write model number here:

Écouter le numéro du modèle ici:

Escribir el número del modelo aquí: _____

M product numbers are for Mexico (i.e. K-12345**M**)

Los números de productos seguidos de **M** corresponden a México
(Ej. K-12345**M**)

Français, page "Français-1"

Español, página "Español-1"

THE BOLD LOOK
OF **KOHLER**®

1034591-5-K

Important Information

INSTRUCTIONS PERTAINING TO A RISK OF FIRE, ELECTRICAL SHOCK, OR INJURY TO PERSONS

READ AND FOLLOW ALL INSTRUCTIONS

SAVE THESE INSTRUCTIONS



WARNING: When using electrical products, basic precautions should always be followed, including the following:



WARNING: Risk of electric shock. Before using this product, ensure a qualified service representative and a licensed electrician installed this product and routed all electrical wiring for the product. Improper installation will create an electrical hazard and may not comply with local building and electrical codes.



WARNING: Risk of electric shock. Only connect this product to a supply circuit that is protected by a Ground-Fault Circuit-Interrupter (GFCI) or Residual Current Device (RCD). Such a GFCI or RCD should be provided by the installer and should be tested on a routine basis. To test the GFCI or RCD, press the test button. The GFCI or RCD should interrupt power. Press the reset button. Power should be restored. If the GFCI or RCD fails to operate in this manner, the GFCI or RCD is defective. If the GFCI or RCD interrupts power to the bath without the test button being pressed, a ground current is flowing, indicating the possibility of an electric shock. Do not use this bath. Disconnect the bath and have the problem corrected by a qualified service representative before using.



WARNING: Risk of electric shock. Do not permit electric appliances (such as a hair dryer, lamp, telephone, radio, or television) within 5' (1.5 m) of this unit.



WARNING: The use of alcohol, drugs, or medication can greatly increase the risk of fatal hyperthermia. Prolonged immersion in hot water may induce hyperthermia. Hyperthermia occurs when the internal temperature of the body reaches a level several degrees above the normal body temperature of 98.6°F (37°C). The symptoms of hyperthermia include an increase in the internal temperature of the body, dizziness, lethargy, drowsiness, and fainting. The effects of hyperthermia include: (a) failure to perceive heat, (b) failure to recognize the need to exit the bath, (c) unawareness of impending hazard, (d) fetal damage in pregnant women, (e) physical inability to exit the bath, and (f) unconsciousness resulting in the danger of drowning.



WARNING: Risk of burns, fire, electric shock, or injury to persons. Use this product only for its intended use. Do not use attachments not recommended by the manufacturer.



WARNING: Risk of burns, fire, electric shock, or injury to persons. Never drop or insert any object into any opening.



WARNING: Risk of personal injury. Close supervision is necessary when this product is used by or near children, invalids, or disabled persons. Electrical equipment may be hazardous if misused

NOTICE: If the pump supply cord is damaged, it must be replaced by the manufacturer, its service agent or similarly qualified persons in order to avoid a hazard. The heater supply cord cannot be replaced. If the cord is damaged the heater should be scrapped.

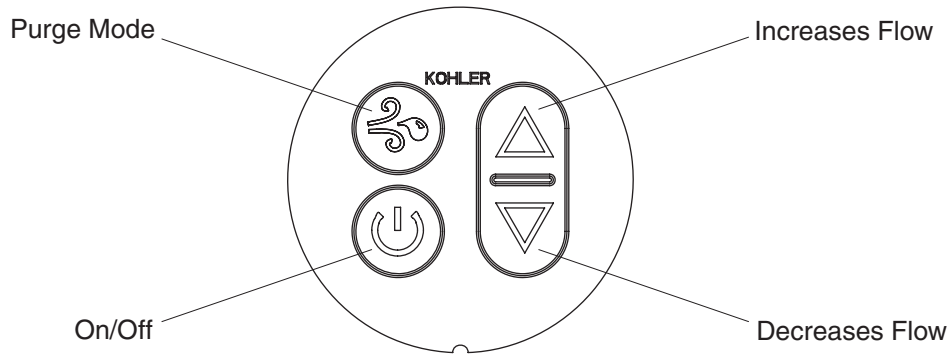
Your new Kohler bath with airjets has been listed by Underwriter's Laboratories, thus ensuring safety for you and your family. Your new bath with airjets also conforms to rigid ANSI and IAPMO standards set within the plumbing industry.

Thank You For Choosing Kohler Company

Thank you for choosing Kohler Company. Your Kohler Company product reflects the true passion for design, craftsmanship, artistry, and innovation Kohler Company stands for. We are confident its dependability and beauty will surpass your highest expectations, satisfying you for years to come.

All information in this guide is based upon the latest product information available at the time of publication. At Kohler Company, we strive to fulfill our mission of improving the level of gracious living for each person who is touched by our products and services. We reserve the right to make changes in product characteristics, packaging, or availability at any time without notice.

Please take a few minutes to review this guide. Pay special attention to the care and cleaning instructions.



Your Kohler Bath with Airjets

Components

Your new bath with airjets is designed to stimulate, invigorate, and energize your body with soothing massage therapy. It can also provide a gentle relaxing massage when operated at a lower speed.

- **Bath** - Allows the bather to relax in comfort while enjoying the air massage.
- **Blower Motor** - Provides quiet power to supply air for a soothing massage action.
- **Airjets** - Distributes and releases the air at the lower edge of the bath side and end walls for a soothing massage action.
- **User Keypad** - Located within easy reach, the user keypad turns the unit on and off, controls the air flow rate, and controls the manual purge mode.

User Keypad

- **On/Off** - Turns the blower motor on or off. Press the button once to start the blower motor at a mid-range speed. Press the button again to stop the blower motor. The blower motor automatically stops after about 20 minutes of operation.

NOTE: An automatic purge cycle will initiate approximately 30 minutes after the blower motor has stopped. To activate the purge cycle sooner, manually initiate the purge mode.

- **Purge Mode** - Initiates a manual purge cycle, which will blow any residual water out of the air channels after the bath has been drained. Press the button once to start the blower motor at low speed. The blower motor stops automatically after about two minutes. Press the button again before the cycle ends to stop the blower motor.
- **Up Arrow** - Increases the air flow.
- **Down Arrow** - Decreases the air flow.

Operation

- Close the drain, then fill the bath to a level at least 4" (10 cm) above the top of the highest airjets.
- Use your hand to test the water temperature for comfort and safety, then carefully enter the basin.
- Press the On/Off button to turn on the blower motor.

NOTE: For baths equipped with an optional timer: Approximately 20 minutes of continuous operation, the blower motor will stop. If desired, press the On/Off button to restart the blower motor.

- If desired, press the up or down arrow buttons to change the air flow rate.
- When finished bathing, press the power button a second time to turn off the blower motor.
- Carefully exit the bath, then open the drain to empty the bath.

Your Kohler Bath with Airjets (cont.)

NOTE: Approximately 30 minutes after the blower motor stops, the automatic two-minute purge cycle will begin.

NOTE: If the bath with airjets does not function properly, please refer to "Troubleshooting" section.

Care and Cleaning

For best results, keep the following in mind when caring for your KOHLER product:

- Always test your cleaning solution on an inconspicuous area before applying to the entire surface.
- Wipe surfaces clean and rinse completely with water immediately after applying cleaner. Rinse and dry any overspray that lands on nearby surfaces.
- Do not allow cleaners to soak on surfaces.
- Use a soft, dampened sponge or cloth. Never use an abrasive material such as a brush or scouring pad to clean surfaces.

For detailed cleaning information and products to consider, visit www.kohler.com/clean. To order Care & Cleaning information, call 1-800-456-4537.

One-Year Limited Warranty

ONE-YEAR LIMITED WARRANTY

KOHLER plumbing products are warranted to be free of defects in material and workmanship for one year from date of installation.

Kohler Co. will, at its election, repair, replace or make appropriate adjustment where Kohler Co. inspection discloses any such defects occurring in normal usage within one (1) year after installation. Kohler Co. is not responsible for removal or installation costs. **Use of in-tank toilet cleaners will void the warranty.**

To obtain warranty service contact Kohler Co. either through your Dealer, Plumbing Contractor, Home Center or E-tailer, or by writing Kohler Co., Attn.: Customer Care Center, 444 Highland Drive, Kohler, WI 53044, USA, or by calling 1-800-4KOHLER (1-800-456-4537) from within the USA and Canada, and 001-877-680-1310 from within Mexico.

IMPLIED WARRANTIES INCLUDING THAT OF MERCHANTABILITY AND FITNESS FOR A PARTICULAR PURPOSE ARE EXPRESSLY LIMITED IN DURATION TO THE DURATION OF THIS WARRANTY. KOHLER CO. AND/OR SELLER DISCLAIM ANY LIABILITY FOR SPECIAL, INCIDENTAL OR CONSEQUENTIAL DAMAGES. Some states/provinces do not allow limitations on how long an implied warranty lasts, or the exclusion or limitation of special, incidental or consequential damages, so these limitations and exclusions may not apply to you. This warranty gives you specific legal rights. You may also have other rights which vary from state/province to state/province.

This is Kohler Co.'s exclusive written warranty.

One-Year Warranty

KOHLER CO.

It is recommended that at the time of purchase, you verify that all accessories and components are complete in this package.

This Kohler product is warranted to be free of defects in material and workmanship for one (1) year from the date of purchase as shown on the invoice or receipt.

1. Kohler Co. will only service its commercialized products through its authorized distributors.
2. To obtain warranty service, please present the invoice and corresponding warranty.
3. Through its authorized distributors, Kohler Co. promises to repair the defective product or provide a new replacement or an equivalent model (in those cases that the model has been discontinued) when the product is beyond repair, without any charge to the consumer.

One-Year Warranty (cont.)

- The time of repair will not exceed six (6) weeks commencing on the date the product is received.
- It is recommended that the consumer save the invoice or receipt as additional protection, as it may substitute the warranty in the case that there is a discrepancy in the validity of the warranty.

EXCEPTIONS AND RESTRICTIONS

The Warranty will not be valid in the following cases:

- When the product is not operated in accordance with the instructions concerning use and operation set forth in the owner's manual or installation instructions, and when the recommendations and warnings included are not observed.
- When the product has been modified or dismantled partially or totally; or has been used in a negligent fashion and as a consequence has suffered damages attributable to the consumer, individual, or hardware not authorized by Kohler Co.
- This warranty does not cover the damages as a result of disaster such as fire or acts of God, including flooding, earthquake, or electric storms, etc. To obtain a list of distributors in your area where you can exercise your rights under this warranty, please call 001-877-680-1310.

KOHLER CO., KOHLER, WI 53044 U.S.A.

IMPORTER:

INTERNACIONAL DE CERÁMICA, S.A.B. DE C.V.

AV. CARLOS PACHECO NO. 7200

CHIHUAHUA, CHIH., MEXICO C.P. 31060

TEL: 52 (14) 29-11-11

Troubleshooting

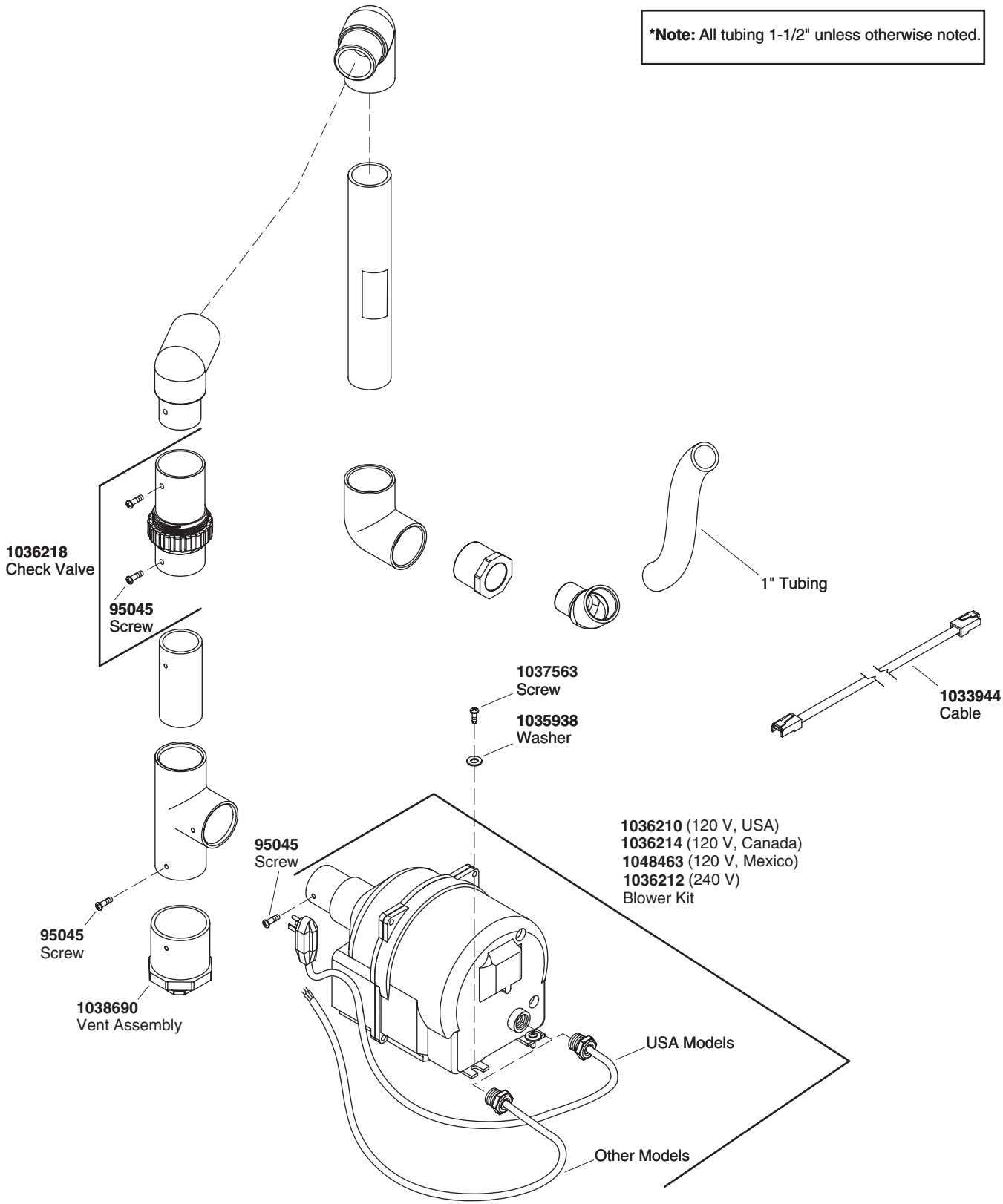
This troubleshooting guide is for general aid only. A Kohler Authorized Service Representative or qualified electrician should correct any electrical problems. For warranty service, contact your dealer or wholesale distributor.

Symptoms	Probable Causes	Recommended Action
1. Bath with airjets does not start.	A. No power to blower motor.	A. Set/reset GFCI or RCD breaker; check wiring. If the problem persists, refer to installer/dealer.
	B. User keypad cable loose or damaged.	B. Check wire connections. If necessary, replace user keypad cable. Refer to installer/dealer.
	C. User keypad does not work.	C. Check wire connections. Replace user keypad. Refer to installer/dealer.
	D. Blower motor does not work.	D. Replace blower motor. Refer to installer/dealer.
2. Blower motor starts, but there are few or no bubbles.	A. Blower motor is disconnected.	A. Connect blower motor to air harness.
	B. Leaks in harness connections	B. Check for and repair any leaks.
	C. Blower motor air flow is restricted.	C. Clean the area around the blower motor. Ensure adequate ventilation.
3. Bath with airjets stops automatically before 18 minutes.	A. GFCI or RCD trips.	A. Identify source of fault and correct. If the problem persists, refer to installer/dealer.
	B. Motor overheated and protection device activated.	B. Check for blockage at motor vents. Remove blockage and allow motor to cool.

Troubleshooting (cont.)

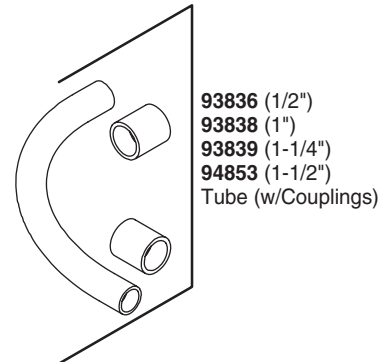
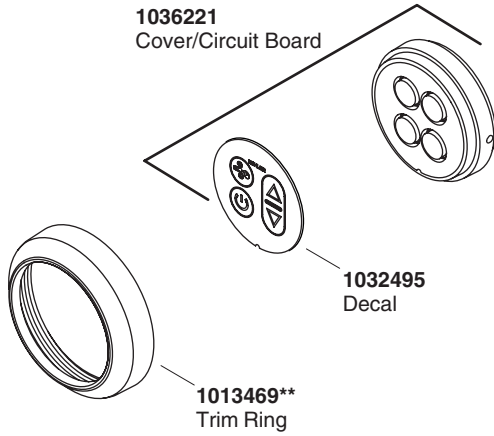
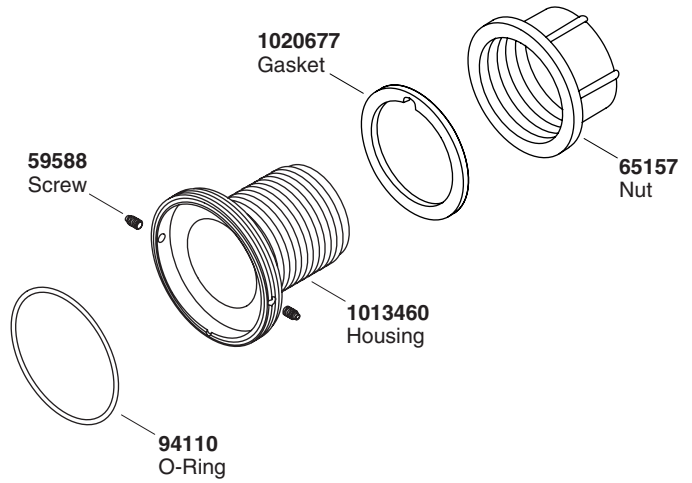
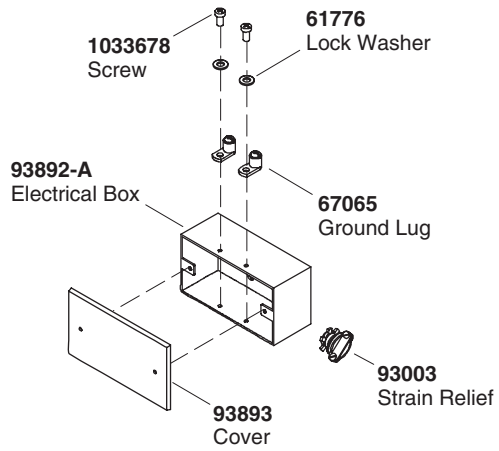
Symptoms	Probable Causes	Recommended Action
4. Bath with airjets does not stop automatically after 22 minutes.	A. Blower motor does not work.	A. Replace blower motor. Refer to installer/dealer.
5. Blower motor does not stop when power button on user keypad is pressed.	A. User keypad cable loose or damaged.	A. Check wire connections. If necessary, replace user keypad cable. Refer to installer/dealer.
	B. User keypad does not work.	B. Replace user keypad. Refer to installer/dealer.
6. Blower motor operates but variable speed feature does not work.	A. User keypad cable loose or damaged.	A. Check wire connections. If necessary, replace user keypad cable. Refer to installer/dealer.
	B. User keypad does not work.	B. Replace user keypad. Refer to installer/dealer.
	C. Blower motor does not work.	C. Replace blower motor. Refer to installer/dealer.
7. Automatic purge cycle does not occur.	A. Blower motor does not work.	A. Replace blower motor. Refer to installer/dealer.
8. Manual purge cycle does not work.	A. User keypad cable is loose or damaged.	A. Check wire connections. If necessary, replace user keypad cable. Refer to installer/dealer.
	B. User keypad does not work.	B. Replace user keypad. Refer to installer/dealer.
	C. Blower motor does not work.	C. Replace blower motor. Refer to installer/dealer.

***Note: All tubing 1-1/2" unless otherwise noted.**



****Finish/color code must be specified when ordering.**

Service Parts



****Finish/color code must be specified when ordering.**

Guide du propriétaire

Baignoire à jets d'air

Informations importantes

INSTRUCTIONS RELATIVES AUX RISQUES D'INCENDIE, D'ÉLECTROCUTION OU DE BLESSURES CORPORELLES

LIRE ET SUIVRE TOUTES LES INSTRUCTIONS

CONSERVER CES INSTRUCTIONS



AVERTISSEMENT : Lors de l'utilisation des produits électriques, des précautions de base doivent toujours être observées, incluant ce qui suit :



AVERTISSEMENT : Risque d'électrocution. Avant d'utiliser ce produit, s'assurer qu'un représentant de service qualifié et un électricien agréé installent ce produit et le câblage. Une installation incorrecte créera un risque d'électrocution et pourrait ne pas être conforme aux codes locaux de bâtiment et électriques.



AVERTISSEMENT : Risque d'électrocution. Ce produit doit uniquement être connecté à un circuit d'alimentation qui est protégé par un disjoncteur différentiel (GFCI) ou un appareil de courant résiduel (RCD). De tels disjoncteurs GFCI ou RCD devraient être fournis par l'installateur et vérifiés régulièrement. Appuyer sur le bouton de test pour tester les disjoncteurs GFCI ou RCD. Le GFCI ou RCD devraient couper le courant. Appuyer sur le bouton de ré-initialisation. L'alimentation devrait être restituée. Si les disjoncteurs GFCI ou RCD ne fonctionnent pas de cette façon, l'un ou l'autre est défectueux. Si les disjoncteurs GFCI ou RCD stoppent l'alimentation électrique à la baignoire sans que le bouton test ne soit utilisé, il y a donc un court circuit indiquant la possibilité de choc électrique. Ne pas utiliser cette baignoire. Débrancher la baignoire et la faire vérifier par un technicien qualifié avant de l'utiliser.



AVERTISSEMENT : Risque d'électrocution. Ne pas raccorder d'appareils électriques (tels que sèche-cheveux, lampe, téléphone, radio ou télévisions) dans les 5' (1,5 m) de cette unité.



AVERTISSEMENT : La consommation d'alcool, de drogues ou de médicaments peuvent augmenter considérablement le risque fatal d'hyperthermie. Une immersion prolongée dans l'eau chaude peut provoquer l'hyperthermie. L'hyperthermie a lieu lorsque la température corporelle interne atteint plusieurs degrés au dessus de la température normale de 98,6°F (37°C). Les symptômes d'hyperthermie comprennent la hausse de la température corporelle, l'étourdissement, la léthargie, la somnolence et l'évanouissement. Les effets de l'hyperthermie comprennent: (a) défaut de percevoir la chaleur, (b) défaut de s'apercevoir du besoin de sortir de la baignoire, (c) incapacité de reconnaître le danger, (d) dommages au foetus dans le cas des femmes enceintes, (e) incapacité physique de sortir de la baignoire et (f) inconscience et danger conséquent de noyade.



AVERTISSEMENT : Risque de brûlures, d'incendie, d'électrocution ou de blessures. N'utiliser ce produit que pour l'usage destiné. Ne pas utiliser des fixations non recommandées par le fabricant.



AVERTISSEMENT : Risque de brûlures, d'incendie, d'électrocution ou de blessures. Ne jamais faire tomber ou insérer d'objet quelconque dans les ouvertures.



AVERTISSEMENT : Risque de blessures corporelles. Une surveillance attentive est nécessaire lorsque ce produit est à proximité ou utilisé par des enfants ou des personnes invalides. L'équipement électrique pourrait être dangereux si il est mal utilisé

Informations importantes (cont.)

AVIS : Si le câble d'alimentation de la pompe est endommagé, il doit être remplacé par le fabricant, son représentant ou autre personnel similaire qualifié pour éviter tout danger. Le cordon d'alimentation du chauffe-eau ne peut pas être remplacé. Si le cordon est endommagé, le chauffe-eau devrait être retiré.

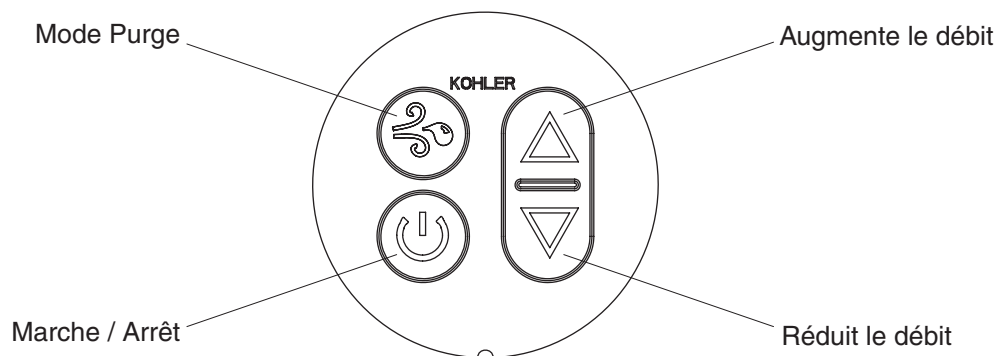
Votre nouvelle baignoire à jets d'air Kohler a été homologuée par l'ULC, assurant ainsi votre sécurité et celle de votre famille. Cette nouvelle baignoire à jets d'air est conforme aux normes ANSI et aux normes IAPMO établies pour l'industrie de la plomberie.

Merci d'avoir choisi la compagnie Kohler

Merci d'avoir choisi la compagnie Kohler. Votre produit de la compagnie Kohler reflète la véritable passion du design, d'artisanat, d'art et d'innovation représentant la compagnie Kohler. Nous sommes confiants que sa fiabilité et beauté surpasseront vos exigences les plus élevées, vous satisfaisant pendant les années à venir.

Toute information contenue dans ce guide est basée sur l'information la plus récente du produit disponible au moment de la publication. A la compagnie Kohler, nous aspirons à remplir notre mission d'améliorer le niveau de vie gracieux pour chaque individu affecté par nos produits et services. Nous nous réservons le droit d'apporter des modifications aux caractéristiques, aux emballages et à la disponibilité des produits à tout moment, et ce sans préavis.

Veillez prendre s'il vous plaît quelques minutes pour étudier ce guide. Prêter une attention toute particulière aux instructions d'entretien et de nettoyage.



Votre baignoire à jets d'air Kohler

Composants

Votre nouvelle baignoire à jets d'air est conçue pour stimuler, revigorer et tonifier votre corps avec un thérapie à massage relaxant. Elle peut aussi fournir un massage relaxant lors de l'opération à faible vitesse.

- **Baignoire** - Permet au baigneur de se relaxer confortablement tout en appréciant le massage d'air.
- **Moteur souffleur** - Fournit une puissance non bruyante pour l'alimentation en air destinée à une action de massage relaxante.
- **Jets d'air** - Distribue et dégage de l'air au niveau du rebord inférieur du côté de la baignoire et des murs d'extrémité pour une action de massage relaxante.
- **Clavier de l'utilisateur** - Situé à proximité, le clavier de l'utilisateur met l'appareil en marche et l'arrête, et commande le débit d'air et le mode de purge manuelle.

Clavier de l'utilisateur

- **Marche/Arrêt** - Met le moteur-souffleur en marche et l'arrête. Appuyer sur le bouton une fois pour lancer le moteur-souffleur à un régime moyen. Appuyer de nouveau sur ce bouton pour arrêter le moteur-souffleur. Le moteur-souffleur s'arrête automatiquement après 20 minutes d'opération.

REMARQUE : Un cycle de purge automatique démarre 30 minutes environ après l'arrêt du moteur-souffleur. Pour activer le cycle de purge plus tôt, lancer le mode de purge manuellement.

- **Mode purge** - Le cycle de purge manuelle est lancé; ce cycle décharge toute eau résiduelle des conduits d'air après la vidange de la baignoire. En appuyant une fois sur le bouton, le moteur-souffleur démarre à basse vitesse. Le moteur-souffleur s'arrête automatiquement après à peu-près 2 minutes. Appuyer de nouveau sur le bouton avant la fin de cycle pour arrêter le moteur-souffleur.
- **Flèche haut** - Augmente le débit d'air.
- **Flèche bas** - Réduit le débit d'air.

Fonctionnement

- Fermer le drain, puis remplir la baignoire à un niveau d'au moins 4" (10 cm) au-dessus des jets les plus élevés.
- Utiliser la main pour tester la température de l'eau pour le confort et la sécurité, puis entrer doucement dans la baignoire.
- Appuyer sur le bouton On/Off (Marche/Arrêt) pour faire démarrer le moteur-souffleur.

REMARQUE : Pour les baignoires munies d'une minuterie offerte en option : Le moteur-souffleur s'arrête au bout de 20 minutes environ de fonctionnement continu. Si souhaité, appuyer de nouveau sur le bouton On/Off pour faire redémarrer le moteur-souffleur.

Votre baignoire à jets d'air Kohler (cont.)

- Si souhaité, appuyer sur les boutons vers le haut et vers le bas pour changer le débit d'air.
- Une fois fini, appuyer sur le bouton d'alimentation une deuxième fois pour arrêter le moteur-souffleur.
- Sortir doucement de la baignoire, puis ouvrir le drain pour la vider.

REMARQUE : Environ 30 minutes après l'arrêt du moteur-souffleur, le cycle de purge automatique de deux minutes est lancé.

REMARQUE : Si la baignoire à jets d'air ne fonctionne pas correctement, se référer à la section "Dépannage".

Entretien et nettoyage

Pour de meilleurs résultats, prendre ce qui suit en considération lors de l'entretien de votre produit KOHLER:

- Toujours tester la solution de nettoyage sur une surface la moins évidente avant de l'appliquer sur la totalité de la surface.
- Essuyer les surfaces et rincer complètement avec de l'eau immédiatement après l'application du nettoyant. Rincer et sécher tout éclaboussement sur les surfaces avoisinantes.
- Ne pas laisser les nettoyeurs sur les surfaces.
- Utiliser une éponge ou un chiffon doux et humide. Ne jamais utiliser de matériau abrasif tel que brosse ou éponges à récurer pour nettoyer les surfaces.

Pour l'information détaillée de nettoyage et des produits à considérer, visiter www.kohler.com/clean. Pour commander des informations d'entretien et de nettoyage, composer le 1-800-456-4537.

Garantie limitée d'un an

GARANTIE LIMITÉE D'UN AN

Les produits de plomberie KOHLER sont garantis contre tout défaut matériel et de fabrication pour un an, à partir de la date de l'installation.

Kohler Co. jugera à sa discrétion, de la réparation, du remplacement ou du réglage approprié et ceci après toute inspection faite par Kohler Co. de tous défauts dus à une utilisation normale et ceci pendant un (1) an à partir de la date d'installation. Kohler Co. n'est pas responsable des coûts de démontage ou d'installation. **L'utilisation de nettoyeurs à l'intérieur du réservoir annulera la garantie.**

Pour obtenir un service-garantie, contacter Kohler Co. par l'intermédiaire de votre vendeur, plombier, centre de rénovation, revendeur par internet ou par écrit à Kohler Co. à l'attention de: Customer Care Center (Service d'assistance à la clientèle), 444 Highland Drive, Kohler, WI 53044, USA, ou composer le 1-800-4KOHLER (1-800-456-4537) à partir des États-Unis et du Canada, et le 001-877-680-1310 à partir du Mexique.

LA DURÉE DES GARANTIES TACITES, Y COMPRIS CELLES DE QUALITÉ MARCHANDE ET D'APTITUDE À UN EMPLOI PARTICULIER, SE LIMITE EXPRESSÉMENT À LA DURÉE DE LA PRÉSENTE GARANTIE. KOHLER CO. ET/OU LE REVENDEUR DÉCLINENT TOUTE RESPONSABILITÉ CONTRE LES DOMMAGES PARTICULIERS, IMPRÉVUS OU DE CIRCONSTANCE.

Certains états/provinces ne permettent pas la limitation sur la durée de la garantie implicite, ou l'exclusion ou la limitation de dommages spéciaux, accessoires ou indirects, et, par conséquent, ces limitations et exclusions pourraient ne pas s'appliquer dans votre cas. Cette garantie vous donne des droits légaux spécifiques. Vous pouvez également avoir d'autres droits qui varient d'un état/province à l'autre.

Ceci constitue la garantie écrite exclusive de Kohler Co.

Dépannage

Ce guide de dépannage est seulement destiné à une aide générale. Seul un agent agréé de Kohler ou un électricien qualifié devrait corriger tous les problèmes électriques. Pour une réparation sous garantie, contacter le vendeur ou distributeur.

Symptômes	Causes probables	Action recommandée
1. La baignoire à jets d'air ne démarre pas.	A. Pas d'alimentation au moteur-souffleur.	A. Régler/réinitialiser le disjoncteur GFCI ou RCD, inspecter le câblage. Si le problème persiste, contacter l'installateur/le revendeur.
	B. Câble du clavier desserré ou endommagé.	B. Vérifier les connexions. Si nécessaire, remplacer le câble du clavier. Contacter l'installateur/vendeur.
	C. Le clavier ne fonctionne pas.	C. Vérifier les connexions. Remplacer le clavier. Contacter l'installateur/vendeur.
	D. Le moteur-souffleur ne fonctionne pas.	D. Remplacer le moteur-souffleur. Contacter l'installateur/vendeur.
2. Le moteur-souffleur démarre mais il y a peu ou pas de bulles.	A. Moteur-souffleur déconnecté.	A. Connecter le moteur-souffleur au harnais d'air.
	B. Fuites dans les connexions du harnais	B. Vérifier et réparer toute fuite.
	C. Restriction du débit d'air du moteur-souffleur.	C. Nettoyer la surface autour du moteur-souffleur. Assurer une ventilation adéquate.
3. La baignoire à jets d'air s'arrête automatiquement avant 18 minutes.	A. Les disjoncteurs GFCI ou RCD se déclenchent.	A. Identifier la source du problème puis remédier. Si le problème persiste, contacter l'installateur/le revendeur.
	B. Moteur surchauffé et système de protection activé.	B. Vérifier s'il y a blocage aux prises d'air du moteur. Retirer l'obstruction et laisser le moteur refroidir.
4. La baignoire à jets d'air ne s'arrête pas automatiquement après 22 minutes.	A. Le moteur-souffleur ne fonctionne pas.	A. Remplacer le moteur-souffleur. Contacter l'installateur/vendeur.
5. Le moteur-souffleur ne s'arrête pas lorsque le bouton d'alimentation sur le clavier est pressé.	A. Câble du clavier desserré ou endommagé.	A. Vérifier les connexions. Si nécessaire, remplacer le câble du clavier. Contacter l'installateur/vendeur.
	B. Le clavier ne fonctionne pas.	B. Remplacer le clavier. Contacter l'installateur/vendeur.
6. Le moteur-souffleur fonctionne mais la fonction de vitesse variable ne fonctionne pas.	A. Câble du clavier desserré ou endommagé.	A. Vérifier les connexions. Si nécessaire, remplacer le câble du clavier. Contacter l'installateur/vendeur.
	B. Le clavier ne fonctionne pas.	B. Remplacer le clavier. Contacter l'installateur/vendeur.
	C. Le moteur-souffleur ne fonctionne pas.	C. Remplacer le moteur-souffleur. Contacter l'installateur/vendeur.
7. Le cycle de purge automatique ne démarre pas.	A. Le moteur-souffleur ne fonctionne pas.	A. Remplacer le moteur-souffleur. Contacter l'installateur/vendeur.

Dépannage (cont.)

Symptômes	Causes probables	Action recommandée
8. Le cycle de purge manuelle ne fonctionne pas.	A. Câble du clavier de l'utilisateur desserré ou endommagé.	A. Vérifier les connexions. Si nécessaire, remplacer le câble du clavier. Contacter l'installateur/vendeur.
	B. Le clavier ne fonctionne pas.	B. Remplacer le clavier. Contacter l'installateur/vendeur.
	C. Le moteur-souffleur ne fonctionne pas.	C. Remplacer le moteur-souffleur. Contacter l'installateur/vendeur.

***Remarque :** Tuyauterie de 1-1/2", sauf contre-indication

1036218
Valve clapet de non-retour

95045
Vis

Tuyau 1"

1037563
Vis

1035938
Rondelle

1033944
Câble

1036210 (120 V, États-Unis)
1036214 (120 V, Canada)
1048463 (120 V, Mexico)
1036212 (240 V)
Kit de souffleur

95045
Vis

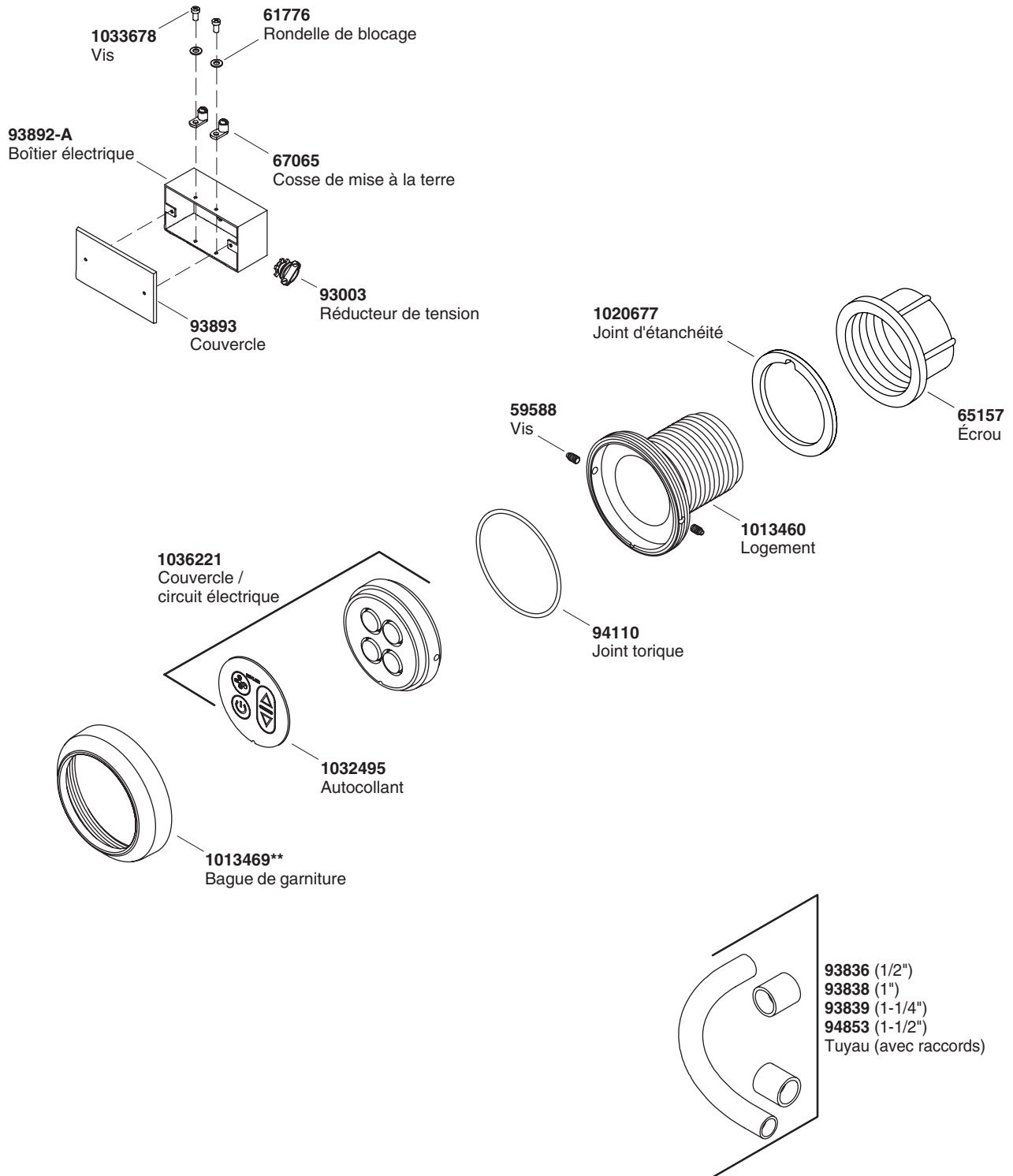
1038690
Ensemble aération

Modèles américains

Autres modèles

****Vous devez spécifier les codes de la finition et/ou de la couleur quand vous passez votre commande.**

Pièces de rechange



****Vous devez spécifier les codes de la finition et/ou de la couleur
 quand vous passez votre commande.**

Guía del usuario

Bañera con jets de aire

Información importante

INSTRUCCIONES RELATIVAS AL RIESGO DE INCENDIO, DESCARGA ELÉCTRICA O LESIONES PERSONALES

LEA Y SIGA TODAS LAS INSTRUCCIONES

GUARDE ESTAS INSTRUCCIONES



ADVERTENCIA: Al usar aparatos eléctricos, siga siempre las precauciones básicas, incluyendo las siguientes:



ADVERTENCIA: Riesgo de descarga eléctrica. Antes de utilizar este producto, asegúrese de que un representante de servicio calificado y un electricista con licencia hayan instalado este producto y todo el cableado eléctrico para el producto. La instalación incorrecta creará un riesgo eléctrico y puede no cumplir con los códigos locales de construcción y electricidad.



ADVERTENCIA: Riesgo de descarga eléctrica. Sólo conecte este producto a un circuito eléctrico protegido con un interruptor de circuito con pérdida a tierra (GFCI) o por un dispositivo de corriente residual (RCD). El instalador debe proveer el interruptor de protección GFCI o RCD, cuyo funcionamiento debe probarse de manera rutinaria. Para probar el interruptor de protección GFCI o RCD, oprima el botón de prueba (test). El interruptor de protección GFCI o RCD debe interrumpir la alimentación eléctrica. Oprima el botón (reset) de restablecer la alimentación eléctrica. Esto debe restablecer la alimentación eléctrica. Si el interruptor de protección GFCI o RCD no funciona de este modo, significa que está averiado. Si el interruptor de protección GFCI o RCD, interrumpe la alimentación eléctrica a la bañera sin haber oprimido el botón de prueba, significa que existe corriente a tierra y la posibilidad de una descarga eléctrica. No utilice esta bañera. Desconecte la bañera y solicite que un representante de servicio autorizado solucione el problema.



ADVERTENCIA: Riesgo de descarga eléctrica. No coloque aparatos eléctricos (como secador de pelo, lámparas, teléfono, radio o televisión) a menos de 5' (1,5 m) de esta unidad.



ADVERTENCIA: El uso de alcohol, drogas o medicamentos puede aumentar enormemente el riesgo de sufrir hipertermia fatal. La inmersión prolongada en agua caliente puede producir hipertermia. La hipertermia ocurre cuando la temperatura interna del cuerpo alcanza un nivel superior a la temperatura corporal normal de 98,6°F (37°C). Los síntomas de la hipertermia incluyen el aumento de la temperatura corporal interna, mareos, letargo, somnolencia y desfallecimiento. Los efectos de la hipertermia incluyen: (a) incapacidad para percibir calor, (b) incapacidad para reconocer la necesidad de salir de la bañera, (c) inconsciencia de un peligro inminente, (d) daño al feto en mujeres embarazadas, (e) inhabilidad física para salir de la bañera y (f) pérdida del conocimiento con peligro de ahogarse.



ADVERTENCIA: Riesgo de quemaduras, incendio, descarga eléctrica o lesiones personales. Utilice este producto sólo para el uso de diseño. No utilice accesorios que no estén recomendados por el fabricante.



ADVERTENCIA: Riesgo de quemaduras, incendio, descarga eléctrica o lesiones personales. No deje caer ni introduzca objetos en ninguna de las aberturas.

Información importante (cont.)



ADVERTENCIA: Riesgo de lesiones personales. Tenga especial cuidado cuando este producto sea empleado por o cerca de los niños, personas inválidas o incapacitadas. El equipo eléctrico puede ser peligroso si se utiliza indebidamente

AVISO: Si el cable eléctrico de la bomba está dañado, debe ser reemplazado por el fabricante, un agente de servicio autorizado por el fabricante o personas igualmente calificadas para así evitar un peligro. El cable eléctrico del calentador no se puede reemplazar. Si el cable eléctrico está dañado, el calentador se debe desechar.

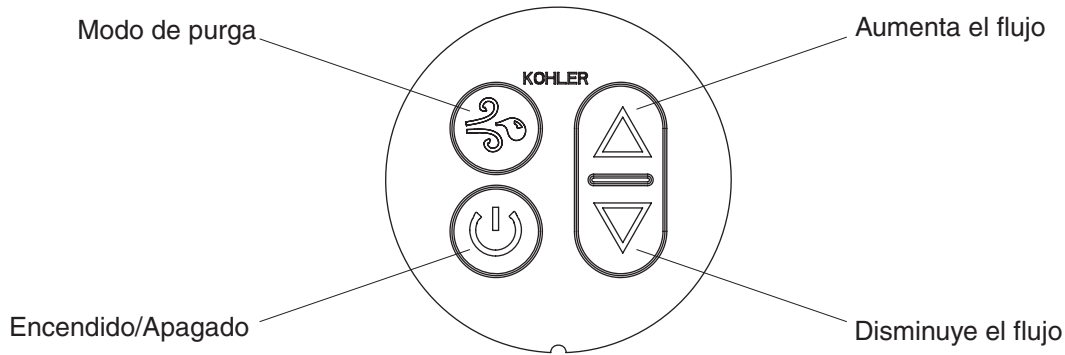
Su nueva bañera con jets de aire Kohler ha sido incluida en la lista de Underwriter's Laboratories, aumentando así su seguridad y la de su familia. Asimismo, su nueva bañera con jets de aire cumple con las estrictas normas del ANSI (Instituto Nacional Americano de Normalización) e IAPMO (Asociación Internacional de Oficiales de Plomería y Mecánica) establecidas dentro de la industria de plomería.

Gracias por elegir los productos Kohler

Gracias por elegir los productos Kohler. Su producto de Kohler Company refleja la verdadera pasión por el diseño, la mano de obra, la artesanía y la innovación que forman parte de Kohler Company. Estamos seguros que su confiabilidad y belleza excederán sus más altas expectativas, dándole satisfacción por años.

Toda la información que aparece en la guía está basada en la información más reciente disponible al momento de publicación. En Kohler Company, nos esforzamos por alcanzar nuestra misión de mejorar el nivel del buen vivir de quienes disfrutan de nuestros productos y servicios. Nos reservamos el derecho de efectuar cambios en las características, embalaje o disponibilidad del producto en cualquier momento, sin previo aviso.

Dedique unos minutos para leer esta guía. Preste especial atención a las instrucciones de cuidado y limpieza.



Su bañera con jets de aire Kohler

Componentes

Su nueva bañera con jets de aire está diseñada para estimular, vigorizar y dar energía a su cuerpo con una terapia de masaje reconfortante. También proporciona un suave masaje relajante cuando funciona a baja velocidad.

- **Bañera** - Permite al usuario relajarse con confort mientras disfruta de un masaje de aire.
- **Motor soplador** - Provee una fuerza silenciosa para suministrar el aire y crear la acción de masaje calmante.
- **Jets de aire** - Distribuye y emite aire por la parte inferior de todas las paredes de la bañera de aeromassage, ofreciendo una acción de masaje relajante.
- **Teclado** - De fácil alcance, el teclado enciende y apaga la unidad, controla el flujo de aire y controla el modo de purga manual.

Teclado

- **Encendido/Apagado** - Enciende o apaga el motor soplador. Oprima el botón una vez para encender el motor soplador a una velocidad media. Oprima el botón otra vez para parar motor soplador. El motor soplador se apaga automáticamente tras unos 20 minutos de funcionamiento.

NOTA: Aproximadamente 30 minutos después de que el motor soplador para, se inicia el ciclo de purga automática. Para activar el ciclo de purga antes, inicie manualmente el modo de purga.

- **Modo de purga** - Inicia un ciclo de purga manual, que expulsa el agua residual de los canales de aire una vez que se ha vaciado la bañera. Oprima el botón una vez para encender el motor soplador a baja velocidad. El motor soplador se apaga automáticamente después de unos dos minutos. Oprima el botón otra vez antes de que el ciclo termine para parar el motor soplador.
- **Flecha hacia arriba** - Aumenta el flujo de aire.
- **Flecha hacia abajo** - Disminuye el flujo de aire.

Funcionamiento

- Cierre el desagüe, luego llene la bañera a un nivel por lo menos 4" (10 cm) arriba de la parte superior de los jets de aire más altos.
- Pruebe la temperatura del agua con la mano para su confort y seguridad, luego entre con cuidado al fondo.
- Presione el botón de encendido/apagado para encender el motor soplador.

NOTA: Para bañeras equipadas con el temporizador opcional: Aproximadamente después de 20 minutos de funcionamiento continuo, se apaga el motor soplador. Si desea, oprima el botón de encendido/apagado para volver a encender el motor soplador.

Su bañera con jets de aire Kohler (cont.)

- Si desea, oprima los botones con flechas hacia arriba o hacia abajo para cambiar la velocidad del flujo de aire.
- Al terminar de bañarse, oprima el botón de encendido una segunda vez para apagar el motor soplador.
- Salga con cuidado de la bañera, luego abra el desagüe para vaciar la bañera.

NOTA: Aproximadamente 30 minutos después de que para el motor soplador, comenzará el ciclo de purga automática de dos minutos.

NOTA: Si la bañera con jets de aire no funciona correctamente, consulte la sección "Guía para resolver problemas".

Cuidado y limpieza

Para obtener los mejores resultados, tenga presente lo siguiente al limpiar su producto KOHLER:

- Siempre pruebe la solución de limpieza en un área oculta antes de aplicarla a toda la superficie.
- Limpie con un trapo las superficies y enjuague completa e inmediatamente con agua después de aplicar el limpiador. Enjuague y seque las superficies cercanas que se hayan rociado.
- No deje por tiempo prolongado los limpiadores en las superficies.
- Utilice una esponja o trapo suave y húmedo. Nunca utilice materiales abrasivos como cepillos o estropajos de tallar para limpiar las superficies.

Para obtener información detallada de limpieza y los limpiadores a considerar, visite www.kohler.com/clean. Para solicitar información sobre el cuidado y la limpieza, llame al 1-800-456-4537.

Garantía limitada de un año

GARANTÍA LIMITADA DE UN AÑO

Se garantiza que los productos de plomería KOHLER están libres de defectos de material y mano de obra por un año a partir de la fecha de instalación.

Kohler Co., a su criterio, reparará, reemplazará o realizará los ajustes pertinentes en los casos en que la inspección realizada por Kohler Co. determine que dichos defectos ocurrieron durante el uso normal en el transcurso de un (1) año a partir de la fecha de la instalación. Kohler Co. no se hace responsable de los gastos de desinstalación o instalación. **El uso de limpiadores de inodoro que se colocan dentro del tanque anulará la garantía.**

Para obtener el servicio de garantía, comuníquese con Kohler Co. a través de su distribuidor, contratista de plomería o distribuidor a través de Internet, o escriba directamente a: Kohler Co., Attn.: Customer Care Center, 444 Highland Drive, Kohler, WI 53044, U.S.A. o llame al 1-800-4KOHLER (1-800-456-4537) desde los Estados Unidos y Canadá, o al 001-877-680-1310 desde México.

TODA GARANTÍA IMPLÍCITA EN RELACIÓN A PRODUCTOS DE USO COMERCIAL, INCLUYENDO LA COMERCIALIZACIÓN E IDONEIDAD DEL PRODUCTO PARA UN USO DETERMINADO, SE LIMITA EXPRESAMENTE A LA DURACIÓN DE LA PRESENTE GARANTÍA. KOHLER CO. Y/O EL VENDEDOR NO SE HACEN RESPONSABLES POR CONCEPTO DE DAÑOS PARTICULARES, INCIDENTALES O INDIRECTOS. Algunos estados/provincias no permiten limitaciones en cuanto a la duración de una garantía implícita o a la exclusión o limitación de daños particulares, incidentales o indirectos, por lo que estas limitaciones y exclusiones pueden no aplicar a su caso. Esta garantía le otorga ciertos derechos legales específicos. Además, usted puede tener otros derechos que varían de estado a estado y provincia a provincia.

El presente documento constituye la garantía exclusiva por escrito de Kohler Co.

Garantía de un año

KOHLER CO.

Al adquirir el producto, se recomienda verificar que todos los accesorios y componentes estén completos en la caja.

Kohler Co. garantiza que el material y la mano de obra de este producto están libres de defectos, por un (1) año, a partir de la fecha de compra que aparece en la factura o recibo.

1. Kohler Co. prestará servicio únicamente a los productos comercializados a través de sus distribuidores autorizados.

2. A fin de obtener el servicio de garantía, favor de presentar la factura de compra y la garantía correspondiente.

3. Kohler Co., a través de sus distribuidores autorizados, se compromete a reparar el producto defectuoso o a reemplazarlo por uno nuevo o equivalente (en caso de que el producto esté descontinuado) cuando no sea posible la reparación, sin ningún cargo al consumidor.

4. El tiempo de reparación no excederá de seis (6) semanas, a partir de la fecha de recepción del producto.

5. Se recomienda al consumidor que conserve el recibo o factura de compra como protección adicional, pues el mismo puede sustituir a la garantía, en caso de que exista discrepancia en cuanto a la validez de la misma.

EXCEPCIONES Y RESTRICCIONES

La garantía no tendrá validez en los siguientes casos:

1. Cuando el producto no se haya utilizado conforme a las instrucciones de uso y funcionamiento incluidas en el manual del usuario o en las instrucciones de instalación y cuando no se hayan observado las recomendaciones y advertencias allí contenidas.

2. Cuando el producto se haya modificado o desmantelado parcial o totalmente; o manipulado de manera negligente y, como consecuencia, haya sufrido daños atribuibles al consumidor, persona o herrajes no autorizados por Kohler Co.

3. Esta garantía no cubre los daños que resulten de desastres naturales, tales como incendios o casos de fuerza mayor, incluyendo inundaciones, terremotos, tormentas eléctricas, etc. Para obtener una lista de distribuidores cerca de usted y así hacer valer sus derechos bajo esta garantía, llame al 001-877-680-1310.

KOHLER CO., KOHLER, WI 53044 U.S.A.

IMPORTADOR:

INTERNACIONAL DE CERÁMICA, S.A.B. DE C.V.

AV. CARLOS PACHECO NO. 7200

CHIHUAHUA, CHIH., MÉXICO C.P. 31060

TEL: 52 (14) 29-11-11

Procedimiento para resolver problemas

Esta guía para resolver problemas está diseñada únicamente como ayuda general. Un representante de servicio autorizado de Kohler o un electricista calificado debe resolver todos los problemas eléctricos. Para obtener servicio cubierto por la garantía, póngase en contacto con el vendedor o el distribuidor mayorista.

Procedimiento para resolver problemas (cont.)

Síntomas	Causas probables	Acción recomendada
1. La bañera con jets de aire no se enciende.	A. El motor soplador no recibe alimentación eléctrica.	A. Oprima el botón de establecer/restablecer (set/reset) para restablecer el interruptor GFCI o RCD; revise el cableado. Si el problema persiste consulte al instalador/ distribuidor.
	B. El cable del teclado está suelto o dañado.	B. Compruebe las conexiones de los cables. De ser necesario, reemplace el cable del teclado. Consulte al distribuidor/instalador.
	C. El teclado no funciona.	C. Compruebe las conexiones de los cables. Reemplace el teclado. Consulte al distribuidor/instalador.
	D. El motor soplador no funciona.	D. Reemplace el motor soplador. Consulte al distribuidor/instalador.
2. El motor soplador se enciende, pero hay muy pocas burbujas o ninguna.	A. El motor soplador está desconectado.	A. Conecte el motor soplador al equipo de aire.
	B. Fugas en las conexiones del equipo	B. Verifique que no haya fugas y repare si es necesario.
	C. El flujo de aire del motor soplador está restringido.	C. Limpie el área alrededor del motor soplador. Asegúrese de que haya suficiente ventilación.
3. La bañera con jets de aire se apaga automáticamente antes de 18 minutos.	A. El interruptor GFCI o RCD se dispara.	A. Identifique la causa del problema y corríjalo. Si el problema persiste consulte al instalador/ distribuidor.
	B. El motor se ha sobrecalentado, activando el dispositivo de protección.	B. Verifique que no haya obstrucciones en las ventilaciones del motor. Elimine la obstrucción y deje enfriar el motor.
4. La bañera con jets de aire no se apaga automáticamente después de 22 minutos.	A. El motor soplador no funciona.	A. Reemplace el motor soplador. Consulte al distribuidor/instalador.
5. El motor soplador no se apaga al oprimir el botón de encendido en el teclado.	A. El cable del teclado está suelto o dañado.	A. Compruebe las conexiones de los cables. De ser necesario, reemplace el cable del teclado. Consulte al distribuidor/instalador.
	B. El teclado no funciona.	B. Reemplace el teclado. Consulte al distribuidor/instalador.
6. El motor soplador se pone en funcionamiento pero la opción de velocidad variable no funciona.	A. El cable del teclado está suelto o dañado.	A. Compruebe las conexiones de los cables. De ser necesario, reemplace el cable del teclado. Consulte al distribuidor/instalador.
	B. El teclado no funciona.	B. Reemplace el teclado. Consulte al distribuidor/instalador.
	C. El motor soplador no funciona.	C. Reemplace el motor soplador. Consulte al distribuidor/instalador.
7. El ciclo de purga automática no se activa.	A. El motor soplador no funciona.	A. Reemplace el motor soplador. Consulte al distribuidor/instalador.

Procedimiento para resolver problemas (cont.)

Síntomas	Causas probables	Acción recomendada
8. El ciclo de purga manual no funciona.	A. El cable del teclado está suelto o dañado.	A. Compruebe las conexiones de los cables. De ser necesario, reemplace el cable del teclado. Consulte al distribuidor/instalador.
	B. El teclado no funciona.	B. Reemplace el teclado. Consulte al distribuidor/instalador.
	C. El motor soplador no funciona.	C. Reemplace el motor soplador. Consulte al distribuidor/instalador.

***Nota:** Todos los tubos de 1-1/2" a menos que se indique lo contrario.

1036218
Válvula de retención

95045
Tornillo

1" Tubo

1037563
Tornillo

1035938
Arandela

1033944
Cable

1036210 (120V, EE.UU.)
1036214 (120 V, Canadá)
1048463 (120 V, México)
1036212 (240 V)
Kit de soplador

95045
Tornillo

95045
Tornillo

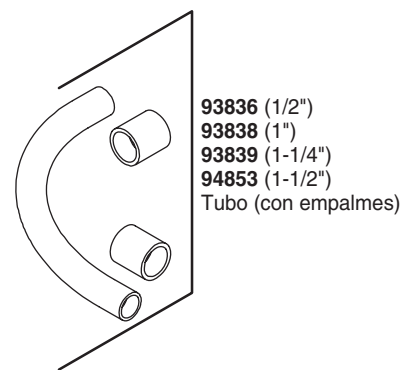
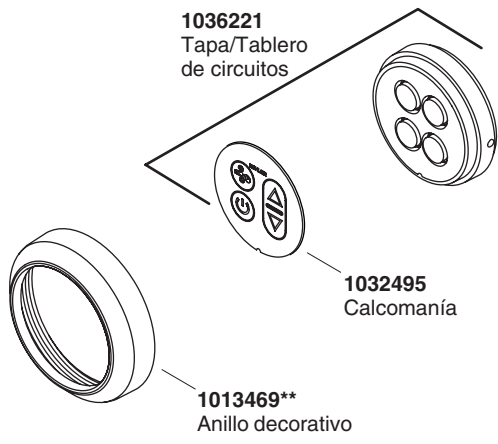
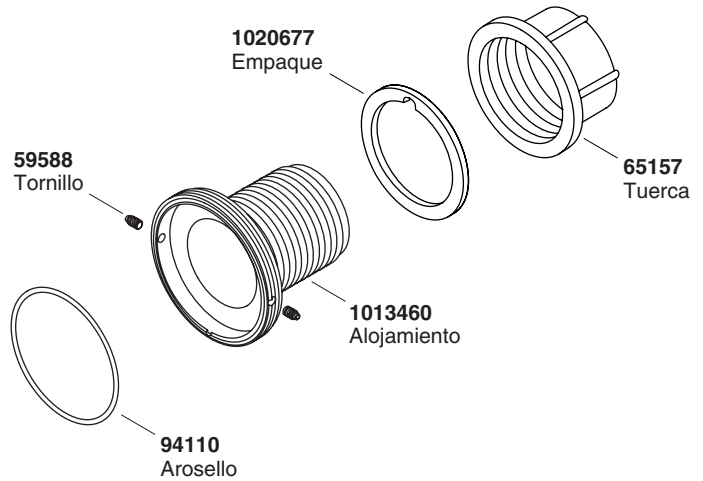
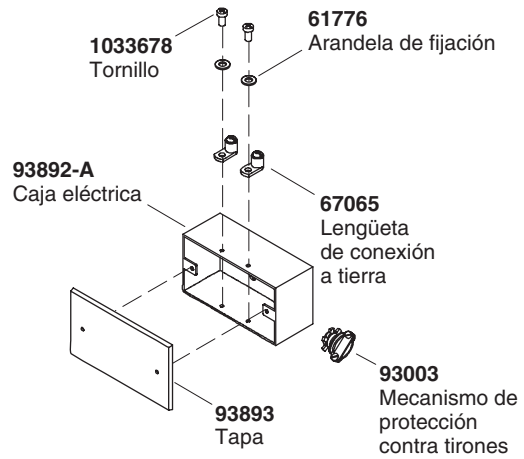
1038690
Montaje de ventilación

Modelos para los EE.UU.

Otros modelos

****Se debe especificar el código del acabado/color con el pedido.**

Piezas de repuesto



****Se debe especificar el código del acabado/color con el pedido.**

USA/Canada: 1-800-4KOHLER

México: 001-877-680-1310

kohler.com

THE BOLD LOOK
OF **KOHLER**®

©2009 Kohler Co.

1034591-5-K