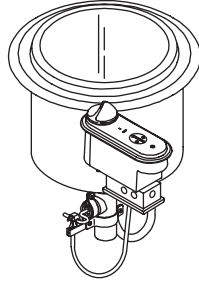


# Homeowners Guide

## Professional Cook Sink

K-3396



1032055-5-A

THE BOLD LOOK  
OF **KOHLER**®

# Important Safety Instructions

## Save these instructions.

The Kohler Professional Cook Sink (PRO CookSink<sup>®</sup>) incorporates several safety features, both active and passive, in order to prevent injury or property damage. A number of design features make the cook sink easy and safe to use. For your safety, the cook sink unit is listed by Underwriters Laboratory (UL).

Some of the active safety features are as follows:

- The Kohler Cook Sink does not operate until the unit is turned on and the power is set.
- The Kohler Cook Sink has a red indicator that operates at about 140° F (60° C) to alert the operator that the pot is hot.
- Over-temperature protection is provided for the Kohler Cook Sink at about 250° F (121° C). At that point, all 10 power LEDs flash. The LEDs continue to flash until the temperature decreases. If the unit is not manually turned off within about two minutes, the heating element shuts off. If the cook sink cools down below the high temperature alarm setpoint and the temperature control remains unchanged, the heater will turn on again.
- If the unit overheats and cools down 10 cycles in a row, another protective feature will turn off the control and reset the temperature setpoint. The power switch must be pressed again in order to operate the unit.

When using electrical appliances, basic safety precautions should always be followed. These include the following:

- Read all instructions.
- Do not operate the cook sink if it malfunctions or has been damaged in any way. Do not operate any appliance with a damaged cord or plug. Contact the nearest authorized service facility for examination, repair, or adjustment.
- Be sure your appliance's electrical service has been installed properly and has been grounded by a qualified electrician.
- To reduce the risk of fire, do not store anything directly on, underneath, or above of the cook sink when the appliance is in operation.
- To reduce the risk of fire, do not store flammable items in, under, or above the cooking vessel.

### **Important Safety Instructions (cont.)**

- To reduce the risk of fire, do not mount the cook sink over or beneath any portion of a heating or cooking appliance.
- Refer to the troubleshooting section if the unit does not operate properly.
- Do not repair, replace, or service any part of the cook sink unless specifically recommended. All servicing should be referred to a qualified technician.
- Do not use drain cleaner in the cook sink drain.
- Close supervision is necessary when cooking vessel is used by or near children. Children should not be allowed to sit or stand on or near any part of the appliance.
- This product is intended for residential (household-type) use only.
- Do not store items of interest to children in cabinets above or near the cook sink – children climbing on or over the unit to reach items could be seriously injured.
- Provide adequate ventilation around the cook sink to prevent steam damage to surrounding surfaces.
- Do not use the cook sink for other than its intended use.
- Never use your appliance for warming or heating the room.
- Do not use a plunger on the cook sink drain or any associated sink drain while the cooking vessel is in use.
- Use only water. Do not use the cook sink with cooking oil.
- Do not operate the cooking vessel without water.
- Do not add water to hot cooking vessel, splattering could occur.
- Do not force cookware into the cooking vessel.
- Use only accessory equipment recommended by Kohler Company. The use of accessory attachments that are not recommended by Kohler Company may cause injuries or property damage.
- Do not touch hot surfaces. Use handles or knobs.
- Do not use outdoors.

### **Thank You For Choosing Kohler Company**

Thank you for choosing the Bold Look of Kohler. Kohler craftsmanship offers you a rare combination of proven performance and graceful

## **Thank You For Choosing Kohler Company (cont.)**

sophistication that will satisfy you for years to come. The dependability and beauty of your Kohler sink will surpass your highest expectations. We're very proud of our products here at Kohler and we know you will be too.

Please take a few minutes to study this Homeowners Guide. Pay special attention to the Care and Cleaning instructions.

All information in this manual is based upon the latest product information available at the time of publication. At Kohler, we constantly strive to improve the quality of our products. We reserve the right to make changes in product characteristics, packaging or availability at any time without notice.

## **How to Use This Manual**

This manual is designed to help you troubleshoot and repair any problems that may develop with the operation of this product. If a problem occurs:

- Refer to the "Troubleshooting" section to determine a probable cause.
- Check the "Service Parts" section to determine the part numbers for any replacement parts necessary.
- Use the information on the back cover of this manual to contact Kohler Company to order parts, or for help if you cannot correct the problem.

## **Care and Cleaning**

### **Stainless Steel Cook Sink**

Rinse your stainless steel sink thoroughly after each use. Use a dabbing action to dry with a clean, soft cloth. Do not use an abrasive or rubbing action, as that may scratch or dull the finish.

If you use cleaners containing chlorides, which may corrode stainless steel, make sure you rinse the surface immediately after each use. Do not allow cleaners to remain in contact with the sink for long periods of time.

Avoid using metal scouring pads, as they may cause rust stains in the sink. Do not use cleaners containing abrasive cleansers, ammonia, acids, waxes, alcohol, or solvents on this surface, as they may damage

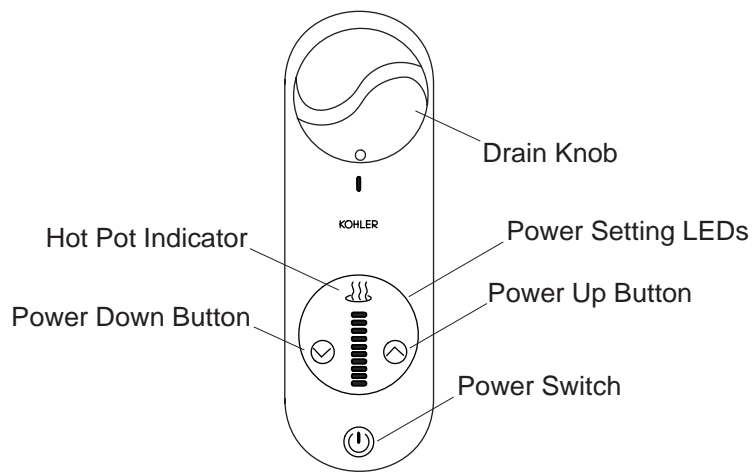
## Care and Cleaning (cont.)

the finish.

If using a rubber sink mat, be sure to remove it when not washing dishes. Organic particles may decay under the mat, causing the sink to stain.

If the surface becomes excessively dirty, consider a general purpose cleaner such as: Mr. Clean® Top Job with Ammonia, Spic and Span Liquid; Fantastik® All Purpose, Formula 409® All Purpose, or Lysol® Anti-Bacterial Kitchen Cleaner™.

If your stainless steel colored finish becomes excessively dirty, consider cleaning with Dow Scrubbing Bubbles® Liquid or Bleach Free Soft Scrub®.



## Cook Sink Operating Instructions

**Drain knob** - Turn counterclockwise to open the cook sink drain, clockwise to close.

**Power setting LEDs** - Lights to show relative temperature setpoint.

**Power up button** - Press once to increase heating temperature a little. Hold down to increase heating temperature a lot.

**Power switch** - Press to turn on power to the unit. Press again to turn power off.

**Power down button** - Press once to decrease heating temperature a little. Hold down to decrease heating temperature a lot.

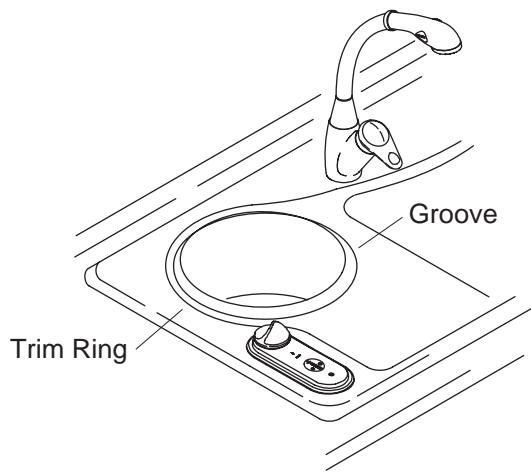
**Hot pot indicator** - Lights at about 140° F (60° C) to alert the operator that the pot is hot.

## Important Notes

- Property damage may occur if the water is allowed to boil off or if the unit is operated without water. Before operating, fill the cooking vessel with a minimum of 2 quarts (1.9 L) of water (1/4 full).
- Drain water immediately after cooking.
- Do not completely drain water from the cooking vessel while the unit is on.

**Important Notes (cont.)**

- Do not store anything, especially flammable materials, near the underside of the cooking vessel.
- Do not use steel wool on the cooking vessel or cookware.
- Do not cut food in the cookware.



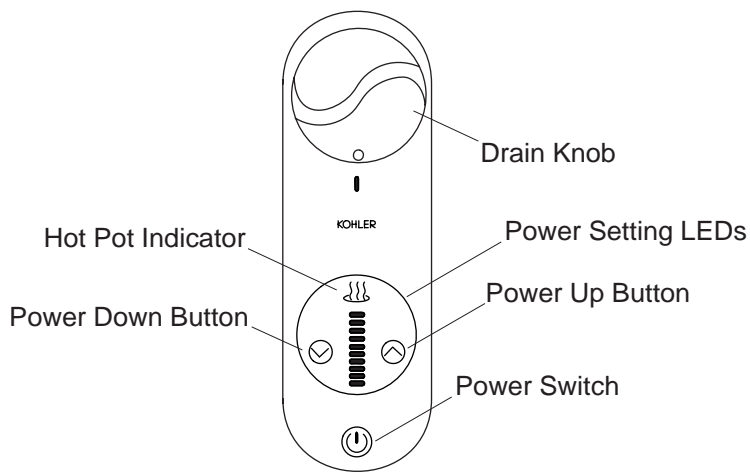
### Preparing to Cook

 **CAUTION: Risk of property damage.** Do not turn unit on without water in it.

The cooking vessel should not be operated with less than a minimum of 2 quarts (1.9 L) water in it. This fills the vessel about 1/4 full.

Perform the following preparations:

- Close the drain by turning the drain knob clockwise to the closed position.
- Fill the cooking vessel at least 1/4 full with water.
- Turn the trim ring so that the steam escape groove faces toward the sink basin or other drainage area.



## Cooking

**CAUTION: Risk of property damage.** This cook sink is designed to be used with cookware that is immersed into the heating water in the cook sink. Do not use the cook sink to cook foods directly. Food residues may not be easily removed.

A single flashing power setting LED is an indication that the cook sink is ready to operate. The cook sink will start to operate as soon as temperature setting is increased above the minimum.

**CAUTION: Risk of personal injury.** Do not add water if all 10 LEDs are flashing. This indicates an over-temperature condition that could flash water into steam. Turn the unit off.

**CAUTION: Risk of personal injury.** Use care when moving cookware into or out of the operating unit.

**CAUTION: Risk of personal injury.** Risk of personal injury. Handle all hot cookware using pot holders or other protective gear.

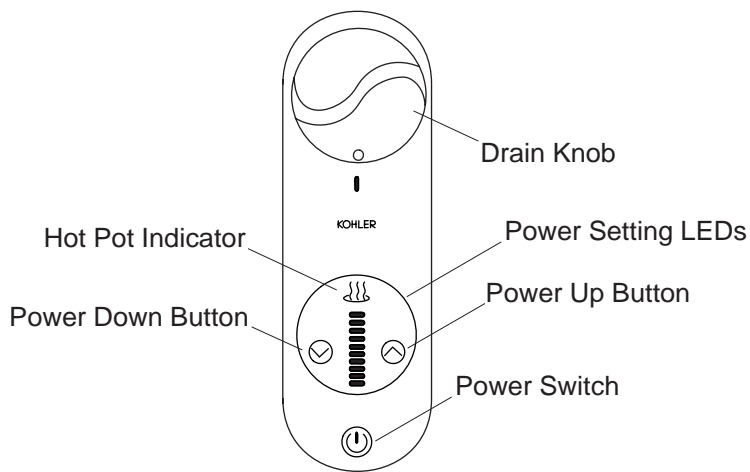
**CAUTION: Risk of product damage.** Do not completely drain water from the cooking vessel while the unit is on.

The cook sink has over-temperature protection. If the sink's temperature increases above about 250° F (121° C), all 10 power setting LEDs start flashing. If the temperature remains high for more than two minutes, the cook sink stops heating automatically. Refer to the

### **Cooking (cont.)**

"Important Safety Instructions" section for more information.

- Add water to the cooking vessel so it is at least 1/4 full.
- Push the power switch.
- Observe that the bottom power setting LED is flashing.
- Press the power up button to increase the temperature setpoint.
- When the desired temperature is reached, you may reduce the heat applied by pressing the power down button.
- If desired, push and turn the drain knob counterclockwise for a short period of time to drain excess water. Turn the knob clockwise when the water has drained.
- If desired, add more water in order to make up for any losses.



## After Cooking

The unit should not be allowed to stand for long periods with water in it, particularly in areas that have hard water. Draining the unit promptly reduces the buildup of mineral deposits.

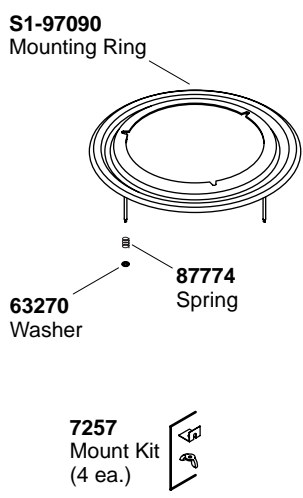
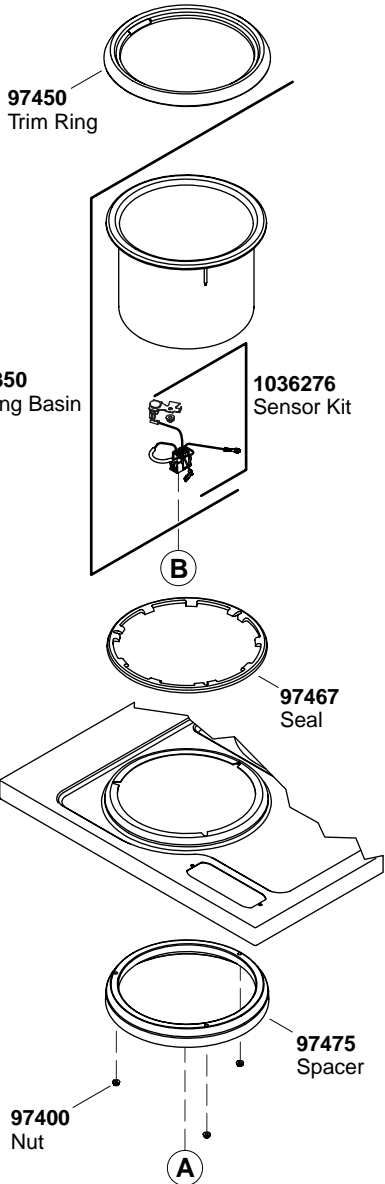
The unit will only drain while the drain knob is held in the open position.

Some localities may have restrictions upon the temperature of water drained into the sewer system. It may be desirable to allow the water to cool somewhat before draining.

The hot pot indicator remains illuminated until the cook sink temperature drops below about 140° F (60° C).

The trim ring and cookware can be removed and washed in the dishwasher. Refer to the "Care and Cleaning" section for more information about cleaning the unit.

- When cooking is completed, press the power switch to stop cooking.
- Observe that all 10 power setting LEDs are extinguished.
- Turn the drain knob counterclockwise to open the drain.
- Rinse the unit out with mild soap and water after each use.

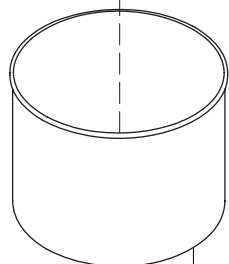


**\*\*Finish/color code must be specified when ordering.**

**Service Parts**

1004466  
Locknut

A



1036352  
Housing

1004466  
Locknut



C

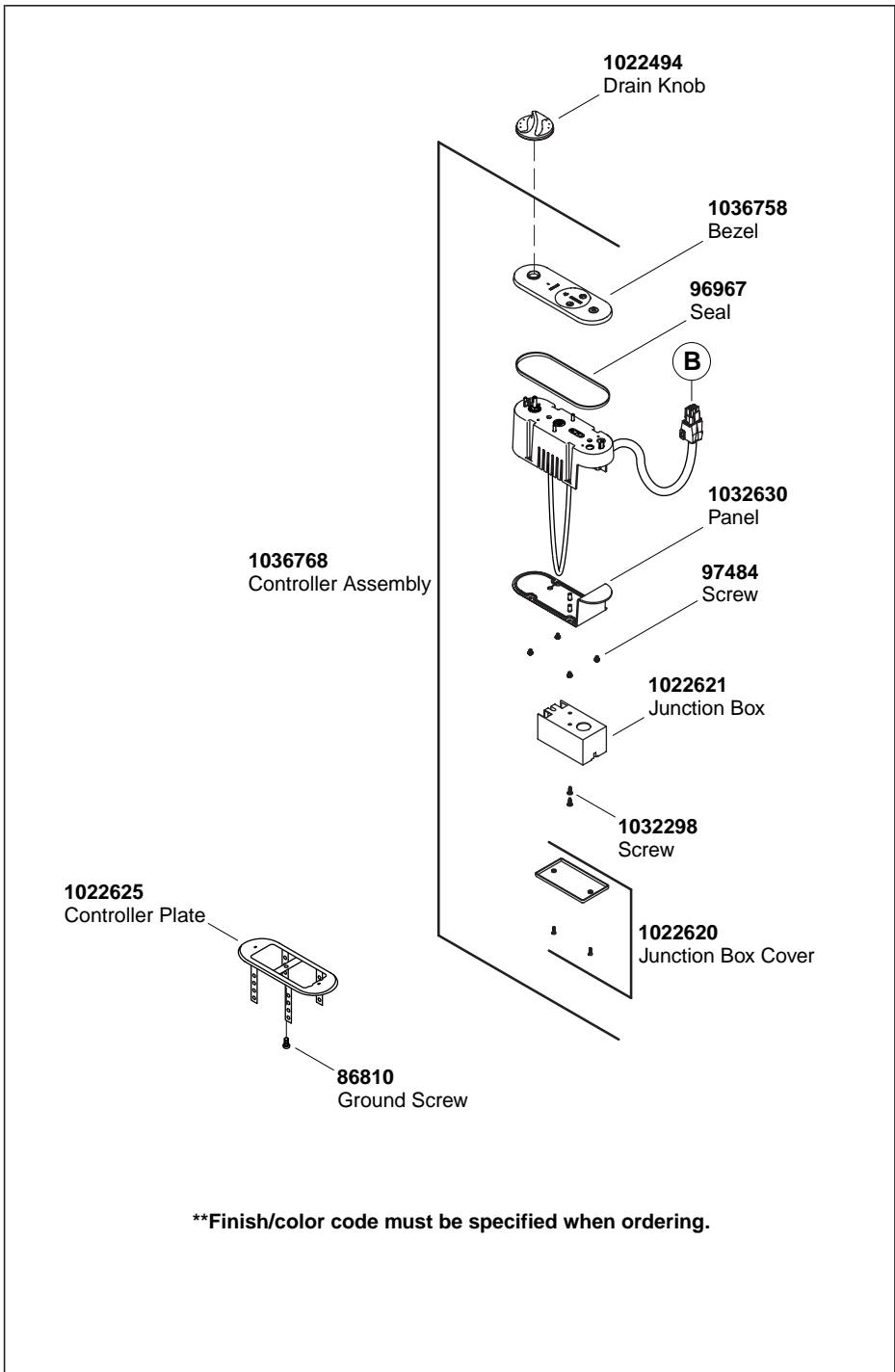
1004646  
Panel

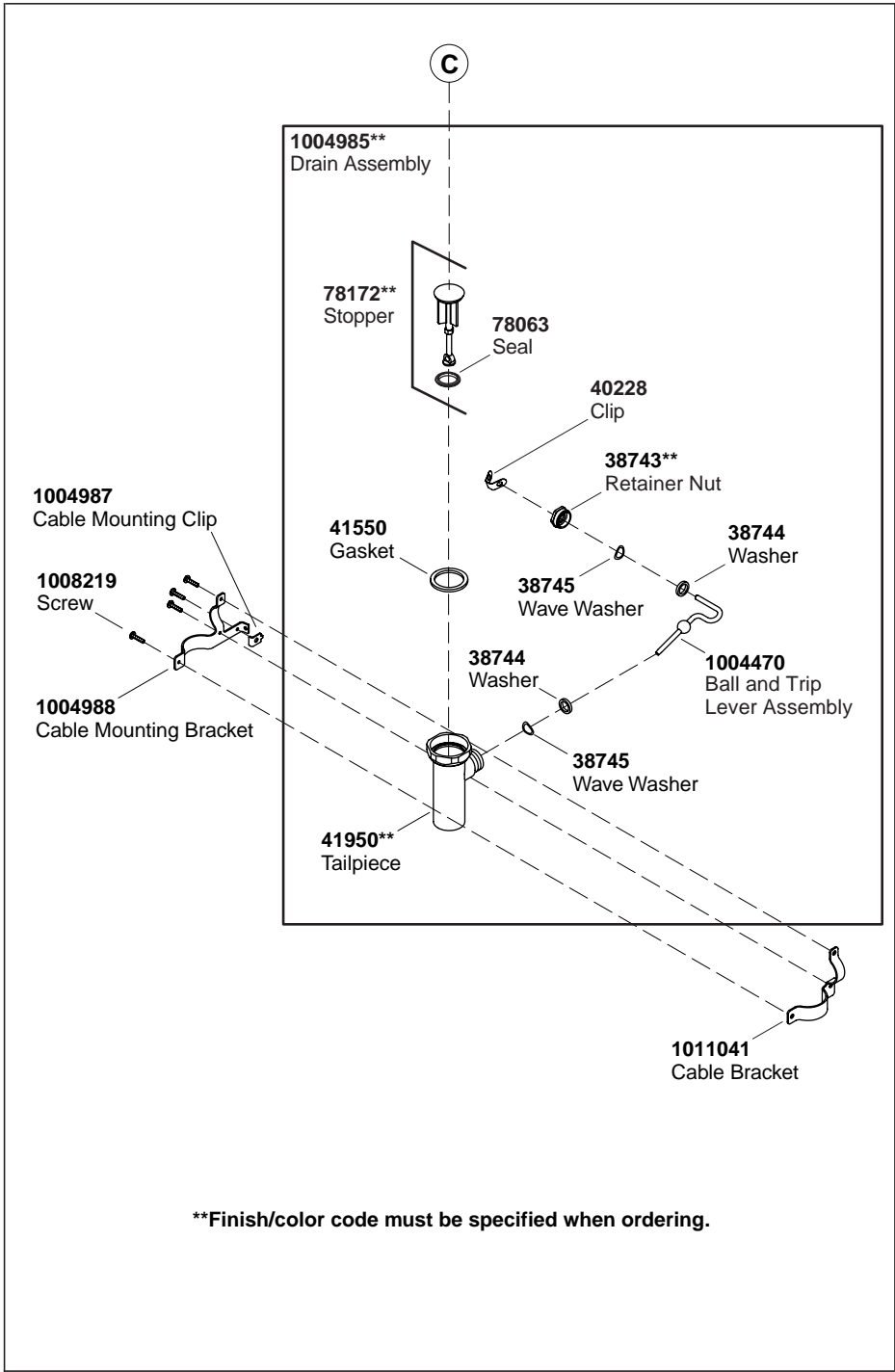


97698  
Screw



**\*\*Finish/color code must be specified when ordering.**





## Troubleshooting Guide

### Troubleshooting Tips

**NOTE:** This troubleshooting guide is for general aid only. For warranty service, contact your dealer or wholesale distributor.

### Troubleshooting Table

Symptoms	Recommended Action
1. The cook sink does not hold water.	A. Operate the drain by turning the drain knob open and closed several times. Then, close the drain.
	B. If the cook sink still does not hold water, ensure that the drain cable is connected at both ends and operates freely as described in the installation guide.
	C. If the problem persists, contact a Kohler Authorized Service Representative.
2. Water drains slowly from sink or does not drain.	A. The drain or trap is probably plugged. Clean out the drain or trap.
	B. If the problem persists, contact a Kohler Authorized Service Representative.
3. Water leaks from under sink.	A. Check if the drain or trap connections are loose or damaged. If necessary, tighten or replace the connections.
	B. If the problem persists, contact your local plumber.
4. The cook sink does not heat water and no display indications are present.	A. Check that the specified power is supplied to the cook sink. Close any tripped circuit breaker.
	B. If the circuit breaker opens again, contact your local electrician.
	C. If you do not feel comfortable checking for power at the cook sink control box, contact your local electrician.
	D. If power is present at the controller, contact a Kohler Authorized Service Representative.
5. The cook sink does not heat water and normal display indications are present.	A. Check that the specified power is supplied to the cook sink. Close any tripped circuit breaker.

<b>Troubleshooting Guide (cont.)</b>	
<b>Symptoms</b>	<b>Recommended Action</b>
	<b>B.</b> If the problem persists, contact a Kohler Authorized Service Representative.
<b>6.</b> The cook sink controller repeatedly stops heating after a few minutes.	<b>A.</b> This is normal operation if there is no water in the sink. Check for the presence of water. If there is no water, carefully add water using care to avoid stream flashing.
	<b>B.</b> If the problem persists, contact a Kohler Authorized Service Representative.
<b>7.</b> The cook sink operates but the cook sink controller display indications do not display normally as described in the "Cook Sink Operating Instructions" section.	<b>A.</b> Contact a Kohler Authorized Service Representative.
<p>If you can't correct the problem on your own, contact your local Kohler dealer. If you need to locate a Kohler Authorized Service Representative in the United States, call our Customer Service Department at 1-800-4-KOHLER (1-800-456-4537).</p> <p>For general information, call one of the following numbers:</p> <ul style="list-style-type: none"> <li><input type="checkbox"/> In the U.S.A., call 1-800-4-KOHLER (1-800-456-4537)</li> <li><input type="checkbox"/> In Mexico, call 001-877-680-1310</li> <li><input type="checkbox"/> In Canada, call 1-800-694-5590</li> </ul> <p>To make fixing the situation easier for both you and us, be sure to provide all the pertinent information. This could include a complete description of the problem, the product name, the model number, the color or finish, and the date the product was purchased.</p>	
<b>One-Year Limited Warranty — USA and Canada</b>	
<p>KOHLER® plumbing fixtures, faucets and fittings are warranted to be free of defects in material and workmanship for one year from date of installation.</p> <p>Kohler Co. will, at its election, repair, replace or make appropriate adjustment where Kohler Co. inspection discloses any such defects occurring in normal usage within one year after installation. Kohler Co. is not responsible for removal or installation costs.</p>	

## **One-Year Limited Warranty — USA and Canada (cont.)**

To obtain warranty service, contact Kohler Co. either through your Dealer, Plumbing Contractor, Home Center or E-tailer, or by writing Kohler Co., Attn.: Customer Service Department, 444 Highland Drive, Kohler, WI 53044, USA, or by calling 1-800-4-KOHLER from within the USA, 1-800-964-5590 from within Canada and 001-877-680-1310 from within Mexico.

**Implied warranties including that of merchantability and fitness for a particular purpose are expressly limited in duration to the duration of this warranty, Kohler Co. disclaims any liability for special, incidental or consequential damages.** Some states/provinces do not allow limitations on how long an implied warranty lasts, or the exclusion or limitation of special, incidental or consequential damages so these limitations and exclusions may not apply to you. This warranty gives you specific legal rights. You may also have other rights which vary from state/province to state/province.

**This is our exclusive written warranty.**

### **Notes:**

1. There may be variation in color fidelity between catalog images and actual plumbing fixtures.
2. Kohler Co. reserves the right to make changes in product characteristics, packaging or availability at any time with out notice.

COPYRIGHT © 1999, 2000, 2001, 2002 BY KOHLER CO.

## **Cooking Vessel Five-Year Limited Warranty**

### **KOHLER® PRO COOK™ COOKING VESSEL FIVE-YEAR LIMITED WARRANTY**

KOHLER PRO Cook cooking vessels installed in residential settings are warranted to be free of defects in material and workmanship for five years from the date of installation. The KOHLER sink and the KOHLER PRO Cook cooking vessels used in commercial settings are warranted to be free of defects in material and workmanship for one year from the date of installation under Kohler's one-year limited warranty.

Kohler Co. will, at its election, repair, replace, or make appropriate adjustment where Kohler Co. inspection discloses any such defects occurring in normal residential usage. Kohler Co. is not responsible for removal or installation costs.

To obtain warranty service, contact Kohler Co., either through your Dealer or Plumbing Contractor, Home Center or E-tailer, or by writing:

### **Cooking Vessel Five-Year Limited Warranty (cont.)**

Kohler Co., Attn: Customer Service Department, 444 Highland Drive, Kohler, WI 53044, USA, or by calling 1-800-4-KOHLER from within the USA, 1-800-964-5590 from within Canada and 001-877-680-1310 from within Mexico.

**The foregoing warranties are in lieu of all other warranties, express or implied, including but not limited to the implied warranties of merchantability and fitness for a particular purpose.**

**Seller disclaims all liability for special, incidental, or consequential damages.** Some states/provinces do not allow limitations on how long an implied warranty lasts, or the exclusion or limitation of special, incidental or consequential damages, so these limitations and exclusions may not apply to you. This warranty gives you specific legal rights. You may also have other rights which vary from state/province to state/province.

**This is our exclusive written warranty.**

### **One-Year Warranty — Mexico**

KOHLER CO.

It is recommended that at the time of purchase, you verify that all accessories and components are complete in this package.

This Kohler product is warranted to be free of defects in material and workmanship for one (1) year from the date of purchase as shown on the invoice or receipt.

1. Kohler Co. will only service its commercialized products through its authorized distributors.
2. To obtain warranty service, please present the invoice and corresponding warranty.
3. Through its authorized distributors, Kohler Co. promises to repair the defective product or provide a new replacement or an equivalent model (in those cases that the model has been discontinued) when the product is beyond repair, without any charge to the consumer.
4. The time of repair will not exceed six (6) weeks commencing on the date the product is received.
5. It is recommended that the consumer save the invoice or receipt as additional protection, as it may substitute the warranty in the case that there is a discrepancy in the validity of the warranty.

**EXCEPTIONS AND RESTRICTIONS**

**One-Year Warranty — Mexico (cont.)**

The Warranty will not be valid in the following cases:

1. When the product is not operated in accordance with the instructions concerning use and operation set forth in the owner's manual or installation instructions, and when the recommendations and warnings included are not observed.
2. When the product has been modified or dismantled partially or totally; or has been used in a negligent fashion and as a consequence has suffered damages attributable to the consumer, individual, or hardware not authorized by Kohler Co.
3. This warranty does not cover the damages as a result of disaster such as fire or acts of God, including flooding, earthquake, or electric storms, etc. To obtain a list of distributors in your area where you can exercise your rights under this warranty, please call 001-877-680-1310.

KOHLER CO., KOHLER, WI 53044 U.S.A.

**IMPORTER:**

INTERNACIONAL DE CERÁMICA, S.A. DE C.V.

AV. CARLOS PACHECO NO. 7200

CHIHUAHUA, CHIH., MEXICO C.P. 31060

TEL: 52 (14) 29-11-11

1032055-5-A

1032055-5-A

1032055-5-A

USA:1-800-4-KOHLER

[kohler.com](http://kohler.com)

THE BOLD LOOK  
OF **KOHLER**®

©2004 Kohler Co.

1032055-5-A