

**Features**

- Brass construction
- Available with cross or lever handles
- Push-button diverter
- 35° and 90° spouts

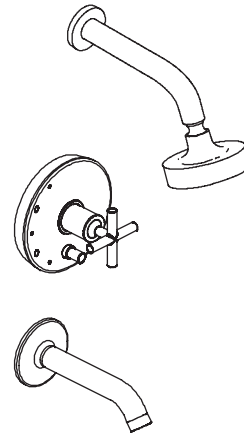
**BATH AND SHOWER FAUCET TRIM**  
**K-T14420**  
**ALSO K-T14421, K-T14422, K-T14423**

ADA

**Codes/Standards Applicable**

Specified model meets or exceeds the following:

- ASME A112.18.1
- ASSE 1016
- IAPMO/UPC
- ADA



**Colors/Finishes**

- CP: Polished Chrome
- Other: Refer to Price Book for additional colors/finishes

**Accessories**

- CP: Polished Chrome
- Other: Refer to Price Book for additional colors/finishes

**Specified Model**

Model	Description	Colors/Finishes	
K-T14420-3	Bath and shower trim, cross handle and 35° Spout (shown)	<input type="checkbox"/> CP	Other ____
K-T14420-4	Bath and shower trim, lever handle and 35° Spout	<input type="checkbox"/> CP	Other ____
K-T14421-3	Bath and shower trim, cross handle and 90° Spout	<input type="checkbox"/> CP	Other ____
K-T14421-4	Bath and shower trim, lever handle and 90° Spout	<input type="checkbox"/> CP	Other ____
K-T14422-3	Shower only trim, cross handle	<input type="checkbox"/> CP	Other ____
K-T14422-4	Shower only trim, lever handle	<input type="checkbox"/> CP	Other ____
K-T14423-3	Non-Diverter valve only trim, cross handle	<input type="checkbox"/> CP	Other ____
K-T14423-4	Non-Diverter valve only trim, lever handle	<input type="checkbox"/> CP	Other ____
K-14426	35° Bath spout	<input type="checkbox"/> CP	Other ____
K-14427	90° Bath spout	<input type="checkbox"/> CP	Other ____

**Product Specification**

Rite-Temp® pressure-balancing single-control bath and shower faucet trim shall be of brass construction. Bath and shower trim shall include showerhead with arm and flange, non-diverter spout with NPT connection, and faceplate with handle and push-button diverter. Shower only trim shall include showerhead with arm and flange, and faceplate with handle. Valve only trim shall include faceplate with handle. Faucet shall be K-\_\_\_\_-\_\_\_\_-\_\_\_\_ OR K-\_\_\_\_-\_\_\_\_, and Rite-Temp® valve shall be K-\_\_\_\_-\_\_\_\_-NA.

# PURIST®

## Required Accessories

K-304-K	Rite-Temp® valve without stops <b>OR</b>	<input type="checkbox"/> NA
K-304-KS	Rite-Temp® valve with stops <b>OR</b>	<input type="checkbox"/> NA
K-304-KP	Rite-Temp® valve with PVC connections <b>OR</b>	<input type="checkbox"/> NA
K-305-K	Rite-Temp® valve without stops <b>OR</b>	<input type="checkbox"/> NA
K-305-KS	Rite-Temp® valve with stops <b>OR</b>	<input type="checkbox"/> NA
K-306-KS	HiFlow Rite-Temp® valve with stops	<input type="checkbox"/> NA

## Recommended Accessories

88526	HiFlow Rite-Temp® thin wall installation kit	<input type="checkbox"/> CP	Other ____
-------	--	-----------------------------	------------

## Optional Accessories

1016154	Deep roughing-in kit for Rite-Temp® valve (lever and cross handles)	<input type="checkbox"/> CP	Other ____
---------	---	-----------------------------	------------

## Installation Notes



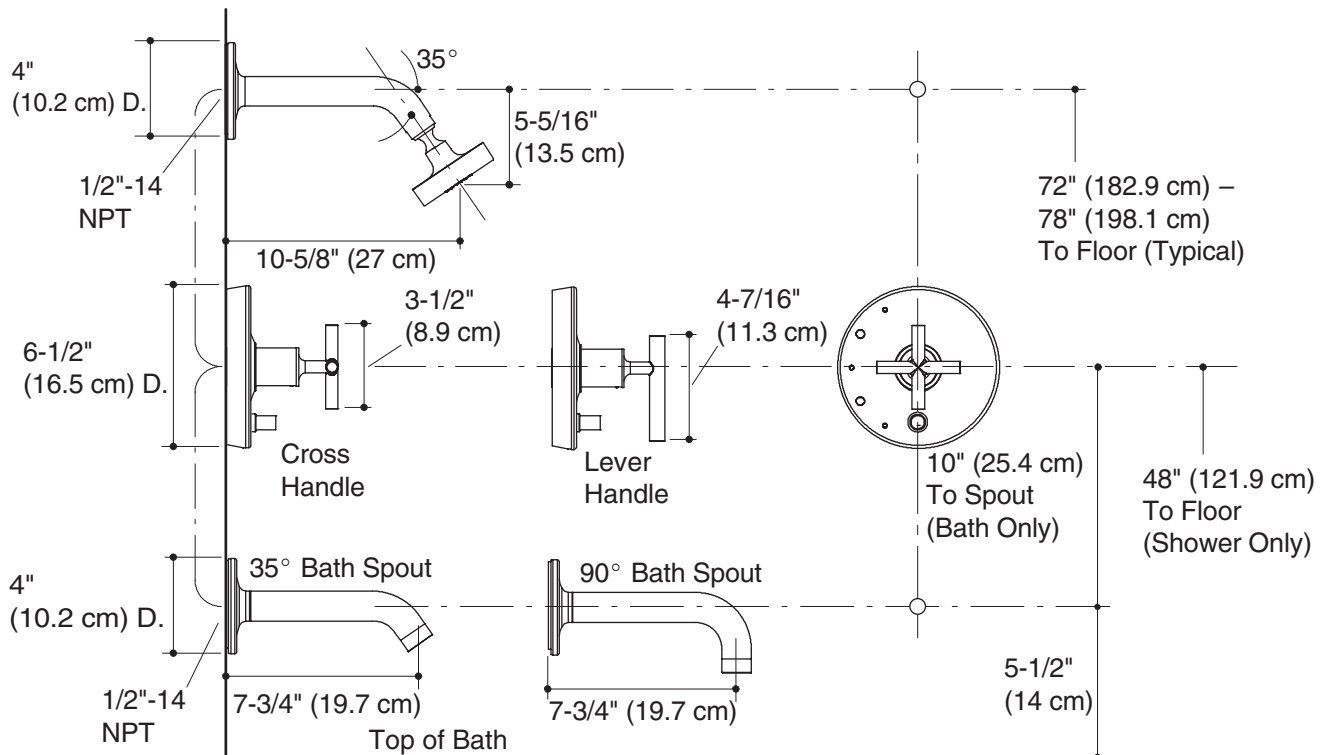
**WARNING: Risk of damage to the K-306-KS valve assembly.** When using the K-306-KS valve in a fiberglass or acrylic installation, use the thin wall installation kit (88526).

Install this product according to the installation guide.

Avoid cross-flow conditions. Do not install shut-off device on either valve outlet.

Cap shower outlet if deck-mount spout, diverter, or handshower is connected to spout outlet.

Install straight pipe or tube drop of 7" (17.8 cm) to 18" (45.7 cm) with single elbow between valve and wall-mount spout.



## Product Diagram