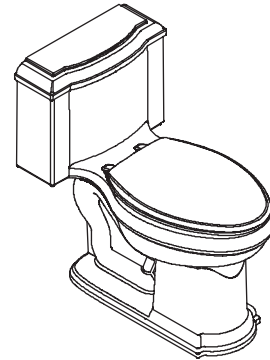


COMFORT HEIGHT® TOILET K-3488

ADA

Features

- Vitreous china
- 2" (5.1 cm) glazed trapway
- 1.6 gpf (6 lpf)
- 12" (30.5 cm) rough-in
- Ingenium® flushing system
- Polished chrome trip lever
- Less supply
- Elongated bowl
- ADA compliant when installed following installation notes
- One-piece, compact
- 27-3/4" (70.5 cm) x 17-1/8" (43.5 cm) x 28-1/4" (71.8 cm)



Codes/Standards Applicable

Specified model meets or exceeds the following:

- ADA
- ASME A112.19.2/CSA B45.1
- ICC/ANSI A117.1

Colors/Finishes

- 0: White
- Other: Refer to Price Book for additional colors/finishes

Accessories

- 0: White
- CP: Polished Chrome
- PB: Vibrant® Polished Brass
- Other: Refer to Price Book for additional colors/finishes

Specified Model

Model	Description	Trip Lever	Colors/Finishes	
K-3488	Elongated bowl toilet with tank	right-hand	<input type="checkbox"/> 0	<input type="checkbox"/> Other_____
Recommended Accessories				
K-7637	Angle supply with stop – 3/8" NPT		<input type="checkbox"/> CP	<input type="checkbox"/> PB <input type="checkbox"/> Other_____
Optional Accessories				
K-4650	Lustra™ elongated open-front toilet seat – for ADA compliance		<input type="checkbox"/> 0	<input type="checkbox"/> Other_____
K-9462	Trip lever - non-CP		<input type="checkbox"/> PB	<input type="checkbox"/> Other_____

Product Specification

The one-piece, compact toilet with elongated bowl shall be made of vitreous china. Toilet shall be 27-3/4" (70.5 cm) in length, 17-1/8" (43.5 cm) in width, and 28-1/4" (71.8 cm) in height. Toilet shall be 12" (30.5 cm) rough-in, and less supply. Toilet shall be 1.6 gpf (6 lpf) with Ingenium® flushing system. Toilet shall have 2" (5.1 cm) glazed trapway. Toilet shall include polished chrome trip lever. Toilet shall be ADA compliant (when installed following installation notes). Toilet shall be Kohler Model K-3488-_____.

DEVONSHIRE®

Technical Information

Fixture:	
Configuration	one-piece, compact elongated
Water per flush	1.6 gal (6 L)
Passageway	2" (5.1 cm)
Water area	10-3/4" (27.3 cm) x 9" (22.9 cm)
Water depth from rim	6" (15.2 cm)
Seat post hole centers	5-1/2" (14 cm)

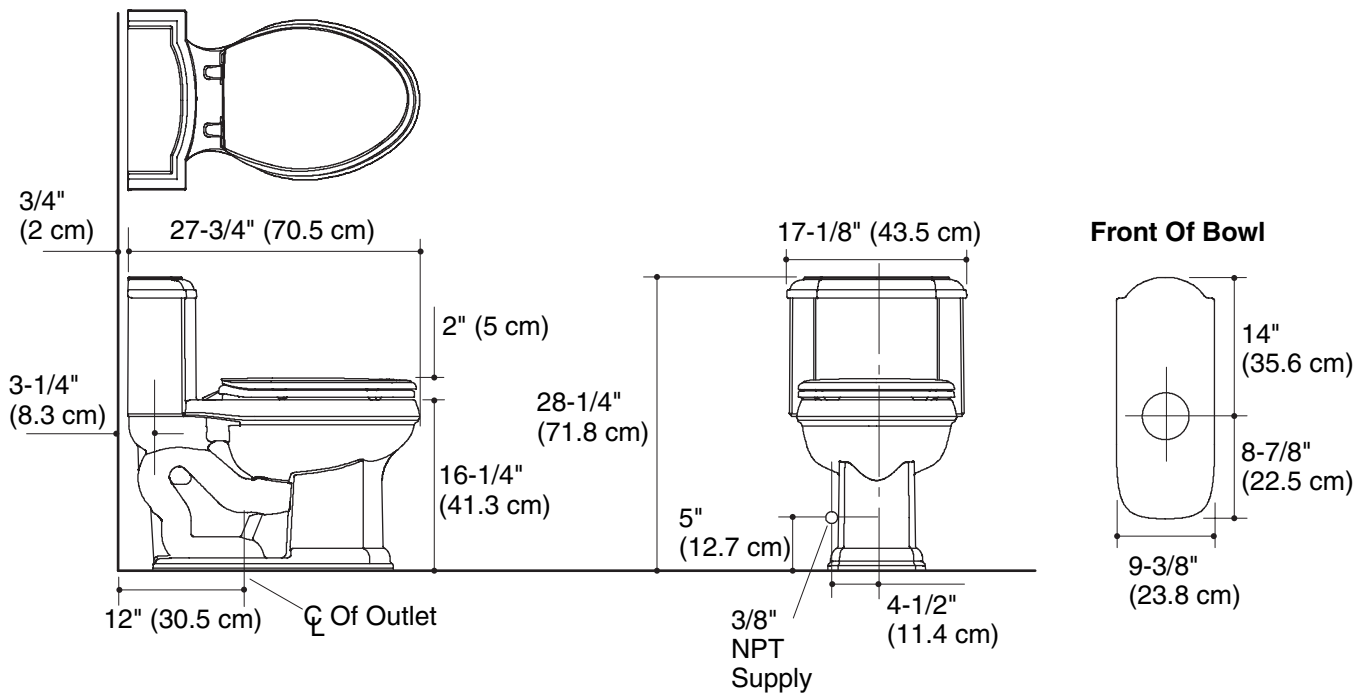
Included components:	
Closed front seat and cover	K-4733
Tank cover	1021921
Trip lever	1031599-CP
Bolt cap accessory pack	1013092
Tank accessory pack	52265

Installation Notes

Install this product according to the installation guide.

Will comply with the American Disabilities Act (ADA) when installed per the requirements of the Accessibility Guidelines, Section 604 Water Closets, of the Act, which include the installation of an open front seat.

Section 604 states the required height of the toilet is 17" (43.2 cm) to 19" (48.3 cm) from the floor to the top of the seat to meet ADA requirements.



Product Diagram