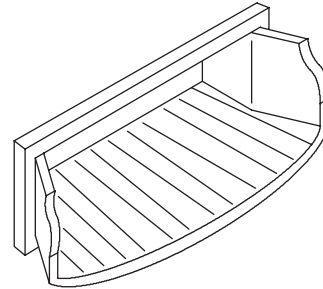


WATERFALL K-1002-H2

Features

- For indoor use only
- Lighted waterfall
- Variable speed pump with backlit user keypad and remote control
- Recirculating pump delivers flows up to 80 gallons (302.8 L) per minute of powerful hydro-massage
- Clear polyurethane waterfall
- Order one waterfall, pump kit, and drain for each complete BodySpa custom installation
- 13-1/2" (34.3 cm) x 4-7/8" (12.4 cm) x 3-3/4" (9.5 cm)



Codes/Standards Applicable

Specified model meets or exceeds the following:

- None applicable

Colors/Finishes

- 0: White
- CP: Polished Chrome
- Other: Refer to Price Book for additional colors/finishes

Accessories

- 0: White
- CP: Polished Chrome
- Other: Refer to Price Book for additional colors/finishes

Specified Model

Model	Description	Colors/Finishes		
K-1002-H2	BodySpa waterfall	<input type="checkbox"/> 0	<input type="checkbox"/> CP	<input type="checkbox"/> Other____
Required Accessories				
K-1003-H2	BodySpa custom waterfall pump kit	<input type="checkbox"/> 0	<input type="checkbox"/> CP	<input type="checkbox"/> Other____
Recommended Accessories				
K-7179	BodySpa custom drain		<input type="checkbox"/> CP	<input type="checkbox"/> Other____

Product Specification

The waterfall shall be 13-1/2" (34.3 cm) in width, 4-7/8" (12.4 cm) in height, and 3-3/4" (9.5 cm) in depth. Product shall be made of clear polyurethane. Product shall be lighted. Product shall have a variable-speed pump with back-lit user keypad and remote control. Recirculating pump kit shall deliver up to 80 gallons (302.8 L) per minute of powerful hydro-massage. Product shall be configured with a pump kit and a custom drain or the equivalent. Waterfall shall be Kohler Model K-1002-H2-_____.

BODYSPA

Technical Information

Fixture:	
Weight	5 lbs (2.3 kg)

Installation Notes

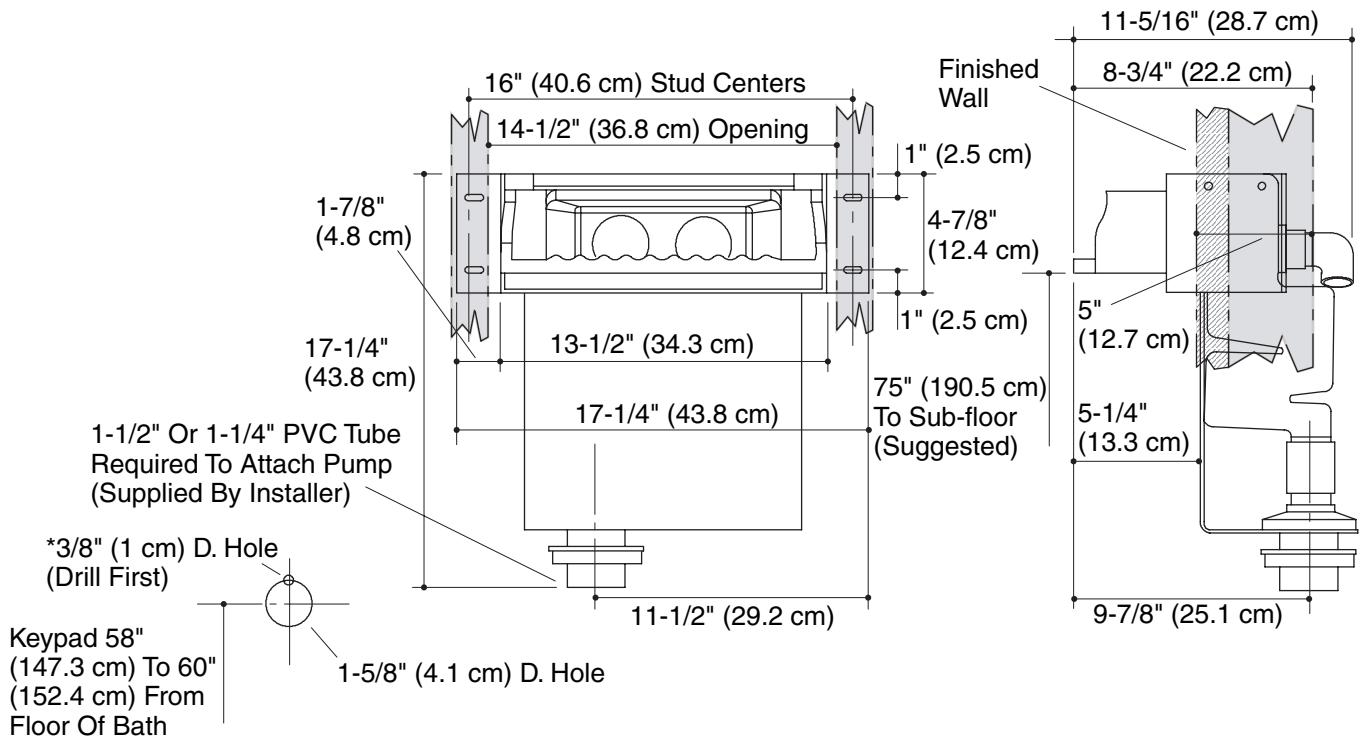
Install this product according to the installation guide.

Locate the keypad so that the 8' (2.4 m) control cable is within reach of the control box.

1-1/2" or 1-1/4" nominal PVC pipe, approximately 48" (121.9 cm) long, which is supplied by installer, must be used to complete plumbing to the pump kit.

*Keyhole for keypad: Drill 3/8" (1 cm) D. hole first at top. Drill 1-5/8" (4.1 cm) D. hole second.

Blind installation on backside requires 1-7/8" (4.8 cm) D. to 2-1/2" (6.4 cm) D. hole for keypad nut.



Product Diagram