

Features

- Brass construction
- Available with scroll or traditional handle(s)
- Intended for use with Rite-Temp® or HiFlow Rite-Temp® valves

BATH AND SHOWER FAUCET TRIM

K-T16113

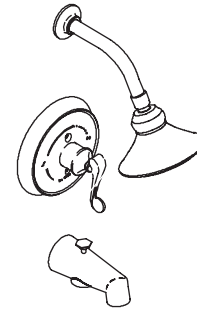
ALSO K-T16114, K-16117

ADA

Codes/Standards Applicable

Specified model meets or exceeds the following:

- ASME A112.18.1/CSA B125.1
- ADA
- IAPMO/cUPC





Colors/Finishes

- CP: Polished Chrome
- PB: Vibrant® Polished Brass
- Other: Refer to Price Book for additional colors/finishes

Accessories:

- CP: Polished Chrome
- Other: Refer to Price Book for additional colors/finishes
- NA: None applicable

Specified Model

Model	Description	ADA 			ADA 		
		<input type="checkbox"/> CP	<input type="checkbox"/> PB	<input type="checkbox"/> Other_____	<input type="checkbox"/> CP	<input type="checkbox"/> PB	<input type="checkbox"/> Other_____
K-T16113-4	Bath and shower trim, scroll handle	<input type="checkbox"/> CP	<input type="checkbox"/> PB	<input type="checkbox"/> Other_____			
K-T16113-4A	Bath and shower trim, traditional handle				<input type="checkbox"/> CP	<input type="checkbox"/> PB	<input type="checkbox"/> Other_____
K-T16114-4	Shower only trim, scroll handle	<input type="checkbox"/> CP	<input type="checkbox"/> PB	<input type="checkbox"/> Other_____			
K-T16114-4A	Shower only trim, traditional handle				<input type="checkbox"/> CP	<input type="checkbox"/> PB	<input type="checkbox"/> Other_____
K-T16117-4	Valve only trim, scroll handle	<input type="checkbox"/> CP	<input type="checkbox"/> PB	<input type="checkbox"/> Other_____			
K-T16117-4A	Valve only trim, traditional handle				<input type="checkbox"/> CP	<input type="checkbox"/> PB	<input type="checkbox"/> Other_____

Product Specification

Rite-Temp® pressure-balancing single-control bath and shower faucet trim shall be of brass construction. Bath and shower trim shall include showerhead with arm and flange, 4-7/8" (12.4 cm) diverter spout with NPT connection, and faceplate with handle. Shower only trim shall include showerhead with arm and flange, and faceplate with handle. Valve only trim shall include faceplate with handle. Faucet trim shall be K-T _____ - _____ - _____ and Rite-Temp® valve shall be K-304- _____ -NA OR K-306-KS-NA HiFlow Rite-Temp valve.

REVIVAL®

Required Accessories

K-304-K	Rite-Temp® valve without stops OR	<input type="checkbox"/> NA
K-304-KS	Rite-Temp® valve with stops OR	<input type="checkbox"/> NA
K-306-KS	HiFlow Rite-Temp® valve with integral stops	<input type="checkbox"/> NA

Recommended Accessories

88526	HiFlow Rite-Temp® thin wall installation kit	<input type="checkbox"/> CP	<input type="checkbox"/> Other_____
-------	--	-----------------------------	-------------------------------------

Optional Accessories

73418	Deep roughing-in kit for Rite-Temp® valve (all handles)	<input type="checkbox"/> CP	<input type="checkbox"/> Other_____
-------	---	-----------------------------	-------------------------------------

Installation Notes



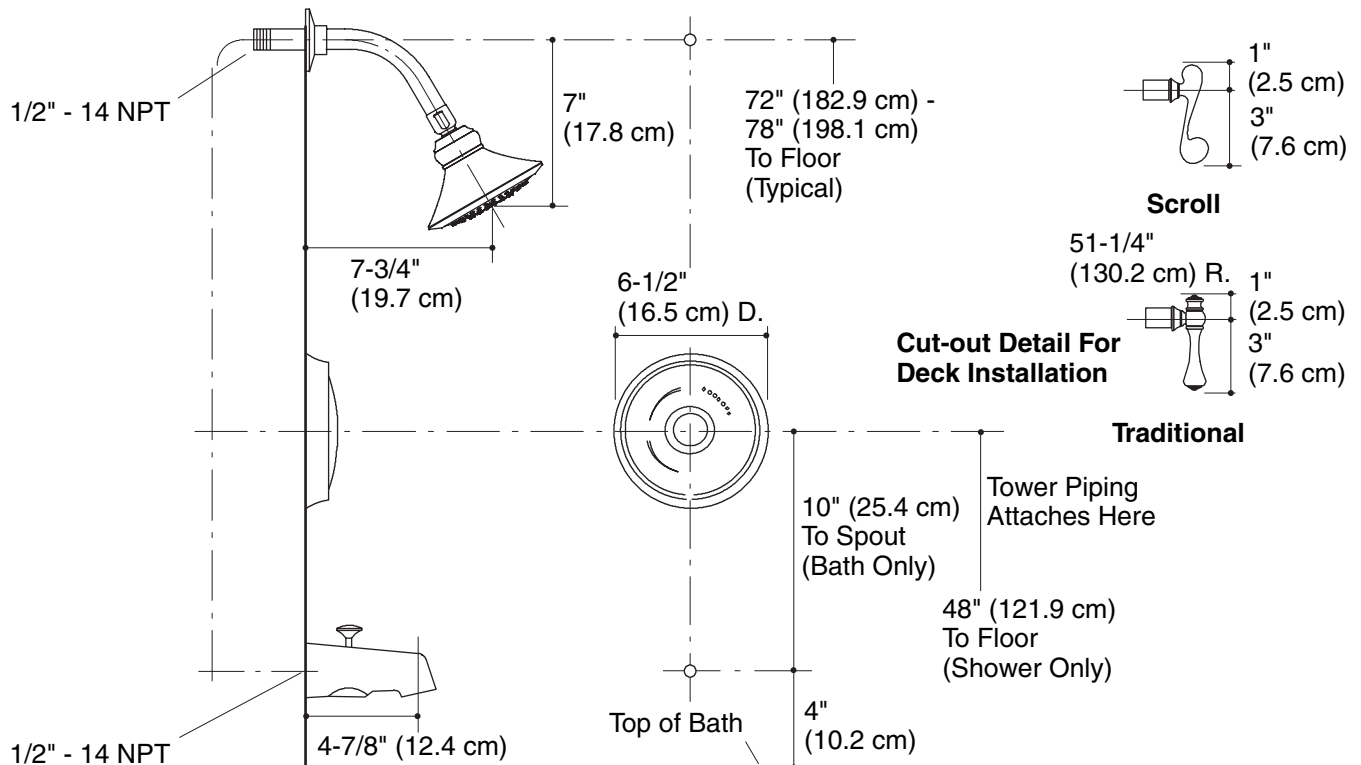
WARNING: Risk of damage to the K-306-KS valve assembly. When using the K-306-KS valve in a fiberglass or acrylic installation, use the thin wall installation kit (88526).

Install straight pipe or tube drop of 7" (17.8 cm) to 18" (45.7 cm) with single elbow between valve and wall-mount spout.

Install this product according to the installation guide.

Avoid cross-flow conditions. Do not install shut-off device on either valve outlet.

Cap shower outlet if deck-mount spout, diverter, or handshower is connected to spout outlet



Product Diagram