

FINIAL® TRADITIONAL

**SHOWER FAUCET TRIM
K-T313
ALSO K-T309,**

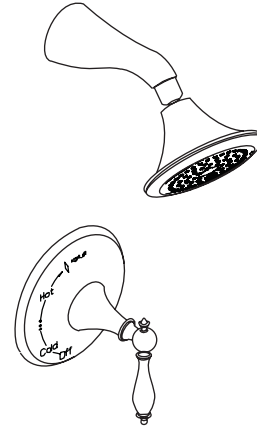
Features

- Brass construction
- Traditional handle
- Available with contrasting or matching finish faceplate and handle accents
- Intended for use with Rite-Temp® or HiFlow Rite-Temp® valves

Codes/Standards Applicable

Specified model meets or exceeds the following:

- ASME A112.18.1/CSA B125.1
- IAPMO/cUPC

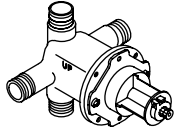
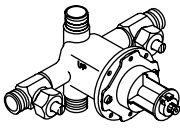
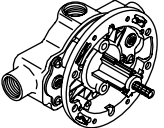


Colors/Finishes

- CP: Polished Chrome
- PB: Vibrant® Polished Brass
- Other: Refer to Price Book for additional colors/finishes

Specified Model

Model	Description	Colors/Finishes		
K-T313-4F	Shower only trim with biscuit accents	<input type="checkbox"/> CP	<input type="checkbox"/> PB	
K-T313-4M	Shower only trim with polished finish accents	<input type="checkbox"/> CP	<input type="checkbox"/> PB	<input type="checkbox"/> Other_____
K-T313-4P	Shower only trim with white accents	<input type="checkbox"/> CP	<input type="checkbox"/> PB	
K-T309-4F	Valve only trim with biscuit accents	<input type="checkbox"/> CP	<input type="checkbox"/> PB	
K-T309-4M	Valve only trim with polished finish accents	<input type="checkbox"/> CP	<input type="checkbox"/> PB	<input type="checkbox"/> Other_____
K-T309-4P	Valve only trim with white accents	<input type="checkbox"/> CP	<input type="checkbox"/> PB	

Required Accessories				
K-304-K	Rite-Temp® valve without stops OR	<input type="checkbox"/> NA		
K-304-KS	Rite-Temp® valve with stops OR		<input type="checkbox"/> NA	
K-306-KS	HiFlow Rite-Temp® valve with integral stops			<input type="checkbox"/> NA

Product Specification

Rite-Temp pressure-balancing single-control shower faucet trim shall be of brass construction. Shower only trim shall include showerhead with arm, and faceplate with traditional handle. Valve only trim shall include faceplate with traditional handle. Faucet trim shall be Kohler Model K-T____-____-____ and Rite-Temp valve shall be K-304-____-NA OR K-306-KS-NA HiFlow Rite-Temp valve.

FINIAL® TRADITIONAL

Optional Accessories

88526	HiFlow Rite-Temp® thin wall installation kit	<input type="checkbox"/> CP	<input type="checkbox"/> PB	<input type="checkbox"/> Other_____
-------	--	-----------------------------	-----------------------------	-------------------------------------

Installation Notes

Install this product according to the installation guide.

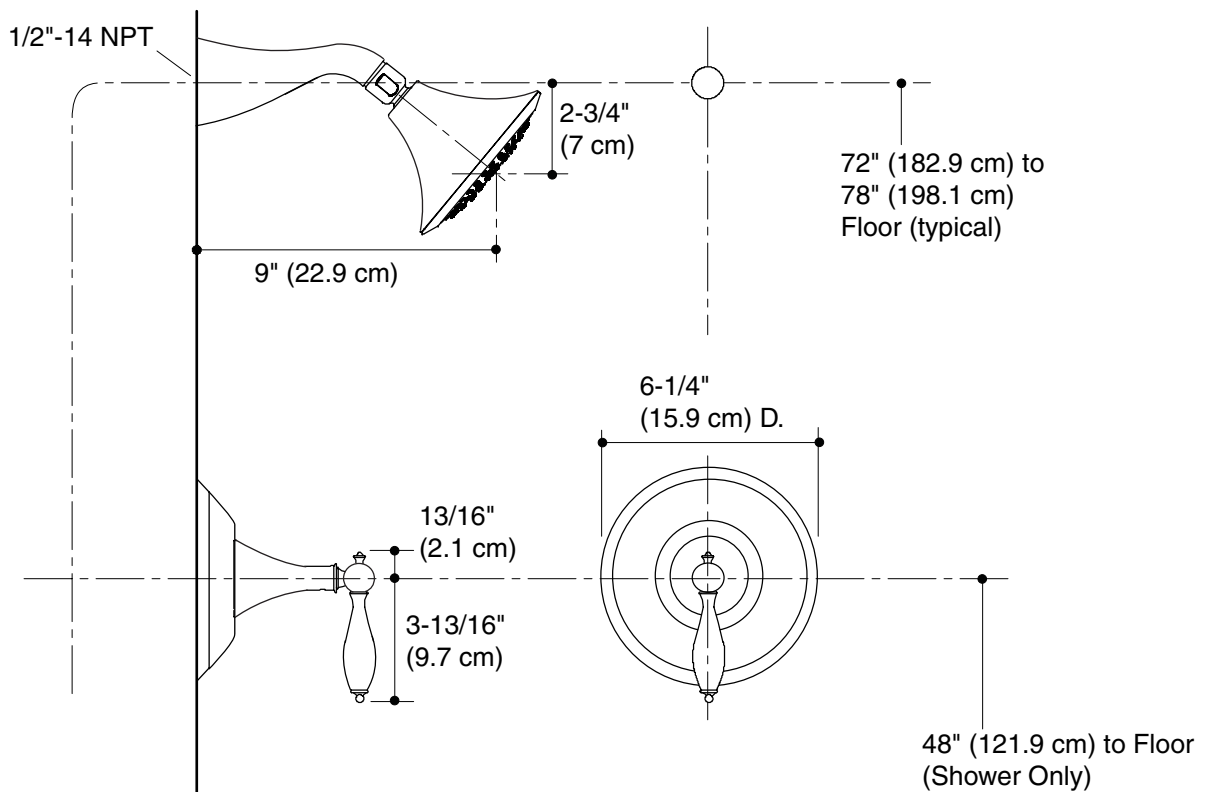


WARNING: Risk of damage to the K-306-KS valve assembly. When using the K-306-KS valve in a fiberglass or acrylic installation, use the thin wall installation kit (88526).

Avoid cross-flow conditions. Do not install shut-off device on either valve outlet.

Cap shower outlet if deck-mount spout, diverter, or handshower is connected to spout outlet.

Install straight pipe or tube drop of 7" (17.8 cm) to 18" (45.7 cm) with single elbow between valve and wall-mount spout



Product Diagram