

Features

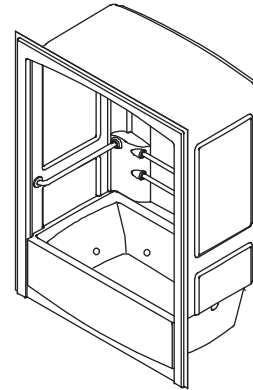
- Acrylic
- Left or right drain
- Integral soap ledges
- Less all trim
- Brushed stainless steel grab bars (-C)
- Nylon grab bars (-N), grey bars supplied with white and biscuit modules, white bars supplied with others
- Polished stainless steel grab bars (-P)
- Molded-in floor pattern
- Removable, multi-position seat, grey seats supplied with white and biscuit modules, white seats supplied with others
- Variable-speed pump with 18 settings, 1.5 kW in-line heater, and lighted 2.5" (64 mm) user keypad
- 6 Flexjets
- 64-3/4" (1645 mm) x 37" (940 mm) x 84" (2134 mm)

WHIRLPOOL AND SHOWER MODULE

K-12105-C/-N/-P

ALSO K-12106-C/-N/-P

ADA



Codes/Standards Applicable

Specified model meets or exceeds the following:

- ADA
- ASME A112.19.7
- ASTM E162
- ASTM E662
- UL 1795
- CSA B45.5/IAPMO Z124

Colors/Finishes

- 0: White
- CP: Polished Chrome
- Other: Refer to Price Book for additional colors/finishes

Specified Model

Model	Description	Colors/Finishes	
K-12105-N	Shower module with drain at left (nylon grab bars)	<input type="checkbox"/> 0	<input type="checkbox"/> Other _____
K-12105-C	Shower module with drain at left (brushed stainless steel grab bars)	<input type="checkbox"/> 0	<input type="checkbox"/> Other _____
K-12105-P	Shower module with drain at left (polished stainless steel grab bars)	<input type="checkbox"/> 0	<input type="checkbox"/> Other _____
K-12106-N	Shower module with drain at right (nylon grab bars)	<input type="checkbox"/> 0	<input type="checkbox"/> Other _____
K-12106-C	Shower module with drain at right (brushed stainless steel grab bars)	<input type="checkbox"/> 0	<input type="checkbox"/> Other _____
K-12106-P	Shower module with drain at right (polished stainless steel grab bars)	<input type="checkbox"/> 0	<input type="checkbox"/> Other _____

Required Accessories

K-9696	Flexjet™ whirlpool trim kit with six jets	<input type="checkbox"/> CP	<input type="checkbox"/> Other _____
--------	---	-----------------------------	--------------------------------------

Product Specification

The acrylic shower module shall be 64-3/4" (1645 mm) in length, 37" (940 mm) in width, and 84" (2134 mm) in height. Product shall have 6 Flexjets, a variable-speed pump with 18 settings, a 1.5 kW in-line heater, and lighted 2.5" (64 mm) user keypad. Product shall have a drain at left or right, a removable, multi-position seat, a molded-in floor pattern, and integral soap ledges. Product shall have nylon grab bars (-N), (grey bars and seat supplied with White and Biscuit modules, white bars and seat supplied with others), brushed stainless steel grab bars (-C), or polished stainless steel grab bars (-P). Product shall be ADA complied, and less all trim. The shower module shall be Kohler Model K--_____-_____-_____.

FREEWILL®

Recommended Accessories

K-7161-AF	Pop-up bath drain	<input type="checkbox"/> CP	<input type="checkbox"/> Other_____
-----------	-------------------	-----------------------------	-------------------------------------

Technical Information

Fixture*:	
Basin area:	
Bathing well	44" (1118 mm) x 23" (584 mm)
Top area	51" (1295 mm) x 26" (660 mm)
Weight	275 lbs (124.7 kg)
To overflow:	
Water depth	13" (330 mm)
Capacity	55 gal (208.2 L)
Configuration	one-piece
Drain outlet	Ø 2-1/4" (57 mm)
* Approximate measurements for comparison only.	

Pump:	kW	V	Hz	A
	1.5	240	50/60	11

Required Electrical Service

Dedicated circuit required, protected with Class A Ground-Fault Circuit-Interrupter (GFCI) or Residual Current Device (RCD):

Pump/control	220/240 V, 20 A, 50/60 Hz
--------------	---------------------------

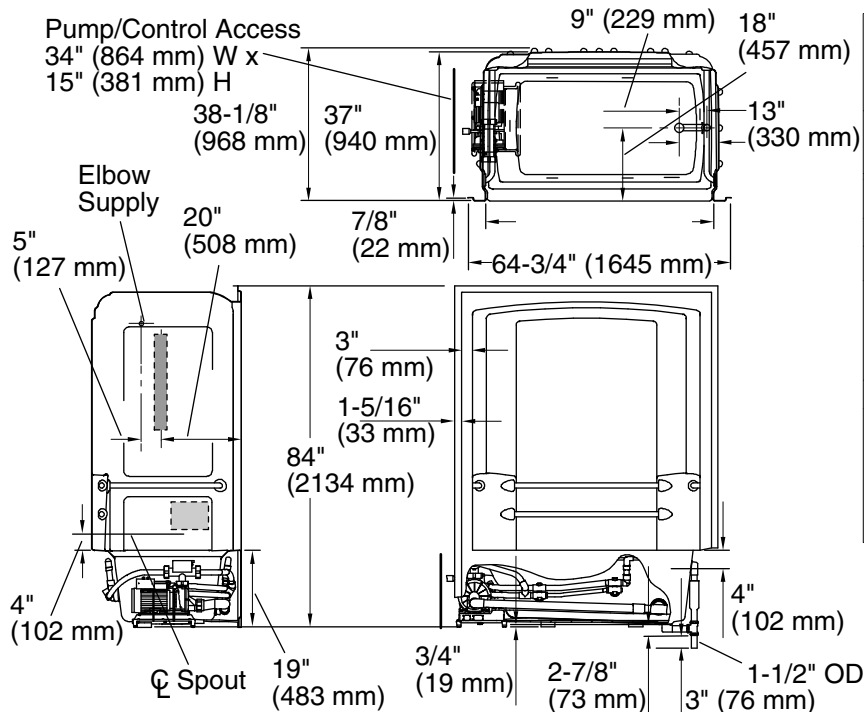
Installation Notes

Install this product according to the installation guide.

Fixture not drilled for supply fittings.

For optimum accessibility, specify faucets and fittings to install and operate within the control area shown.

Recess opening must be 65" (1651 mm) x 84-1/4" (2140 mm).



No change in measurements if connected with drain illustrated. (K-7161-AF)

	Represents control area for faucets.
	Represents 24" (610 mm) wall mount slide bar.
	Represents clear floor space for 36" (914 mm) x 60" (1524 mm) side entrance.
	Represents clear floor space for 48" (1219 mm) x 60" (1524 mm) front entrance.

Product Diagram