

Features

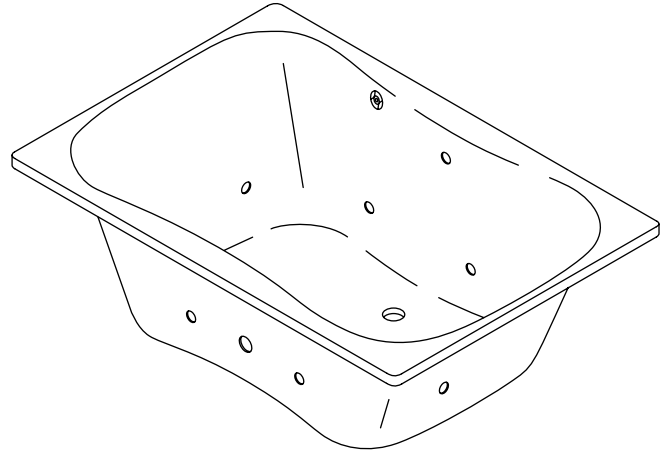
- Acrylic
- Variable speed pump with 1.5 kW heater and back-lit user keypad
- 6 Flexjets™
- Custom pump locations
- Less all trim
- 59-1/2" (151.1 cm) x 41-5/8" (105.7 cm) x 21-1/2" (54.6 cm)

Codes/Standards Applicable

Specified model meets or exceeds the following:

- ASME A112.19.7M
- ANSI Z124.1.2
- UL 1795

5' x 21" CUSTOM BATH WHIRLPOOL K-1487-HF ALSO K-1487-HM/-HN/-HH



Colors/Finishes

- 0: White
- Other: Refer to Price Book for additional colors/finishes

Accessories

- 0: White
- CP: Polished Chrome
- PB: Vibrant® Polished Brass
- NA: None applicable
- Other: Refer to Price Book for additional colors/finishes

Specified Model

Model	Description	Colors/Finishes	
K-1487-HF	Bath whirlpool, custom pump (shown)	<input type="checkbox"/> 0	<input type="checkbox"/> Other_____
K-1487-HH	Bath whirlpool, custom pump (top view shown)	<input type="checkbox"/> 0	<input type="checkbox"/> Other_____
K-1487-HM	Bath whirlpool, custom pump (top view shown)	<input type="checkbox"/> 0	<input type="checkbox"/> Other_____
K-1487-HN	Bath whirlpool, custom pump (top view shown)	<input type="checkbox"/> 0	<input type="checkbox"/> Other_____

Required Accessories

K-9696	Jet trim kit	<input type="checkbox"/> CP	<input type="checkbox"/> PB	<input type="checkbox"/> Other_____
--------	--------------	-----------------------------	-----------------------------	-------------------------------------

Recommended Accessories

K-7161-AF	Pop-up bath drain	<input type="checkbox"/> CP	<input type="checkbox"/> PB	<input type="checkbox"/> Other_____
-----------	-------------------	-----------------------------	-----------------------------	-------------------------------------

Product Specification

The acrylic bath whirlpool shall be 59-1/2" (151.1 cm) in length, 41-5/8" (105.7 cm) in width, and 21-1/2" (54.6 cm) in height. Product shall have six Flexjets, a variable-speed pump with 1.5 kW heater, and back-lit user keypad. Product shall be less all trim. Product shall include custom pump locations. Bath whirlpool shall be Kohler Model K-1487-_____-_____.

INFINITY ∞ BATH™

Optional Accessories

K-1179	Vinyl tiling-in bead (use when wall material contacts any top surface of bath)	<input type="checkbox"/> NA
K-1703	Remote control	<input type="checkbox"/> NA

Technical Information

Fixture*:				
Bathing well:				
Basin area	41" (104.1 cm) x 29" (73.7 cm)			
Top area	56" (142.2 cm) x 36" (91.4 cm)			
Weight	140 lbs (63.5 kg)			
To overflow:				
Water depth	15" (38.1 cm)			
Capacity	85 gal (321.8 L)			
* Approximate measurements for comparison only.				
Drop-in cutout	58" (147.3 cm) x 40" (101.6 cm)			
Pump:	kW	V	Hz	A
Variable-speed:	1.5	240	50/60	11

Required Electrical Service

Dedicated circuit required, protected with Class A Ground-Fault Circuit-Interrupter (GFCI) or Residual Current Device (RCD):

Pump/control	220/240 V, 20 A, 50/60 Hz
--------------	---------------------------

Installation Notes

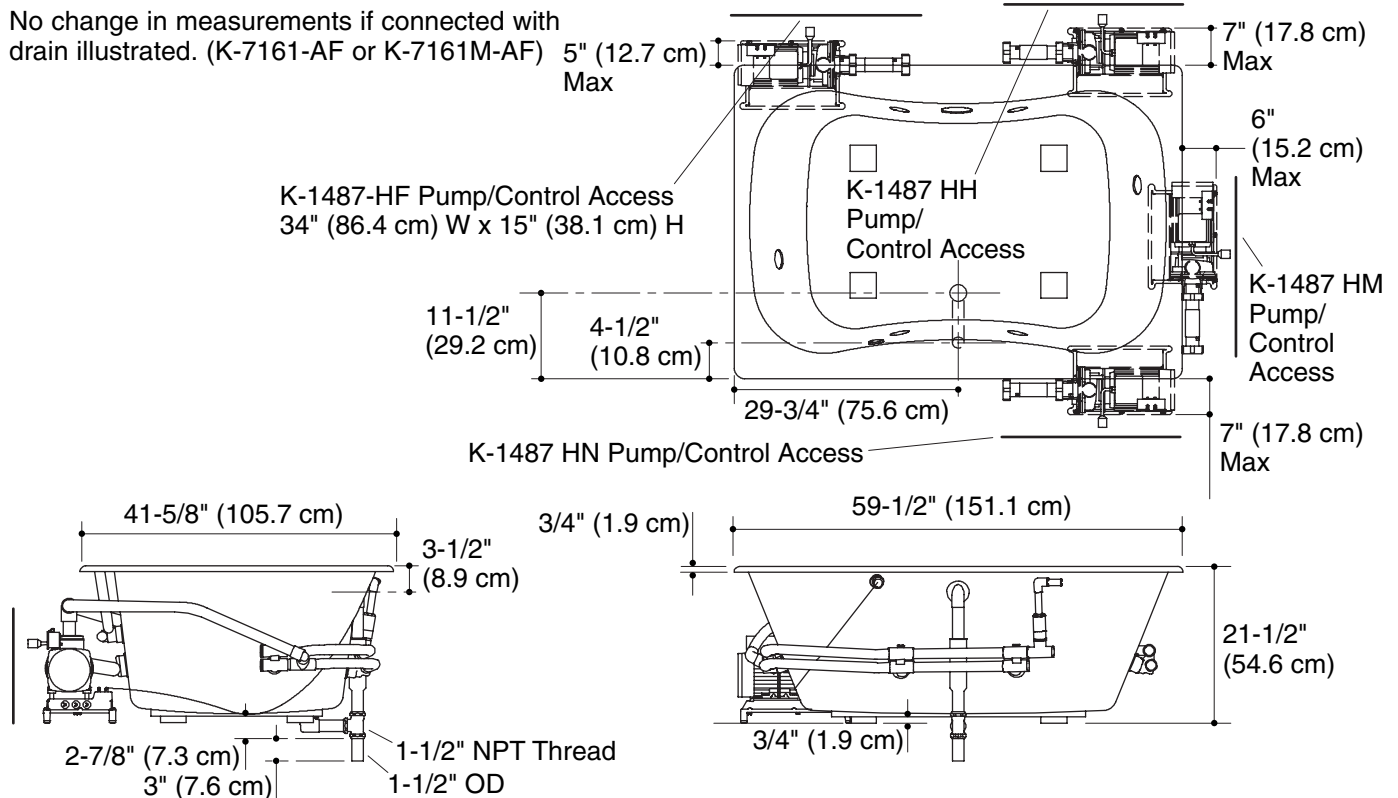
Install this product according to the installation guide.

Floor support under whirlpool must provide for a minimum of 51 lbs/square foot (248 kg/square meter) loading.

Hot water supply should be 70% of capacity or greater. Installations will vary.

Pump must be relocated to custom position at the time of installation. Provide adequate clearance.

No change in measurements if connected with drain illustrated. (K-7161-AF or K-7161M-AF)



Product Diagram

INFINITY ∞ BATH™ 5' x 21" CUSTOM BATH WHIRLPOOL

Page 2 of 2
1022363-4-C

THE BOLD LOOK
OF **KOHLER**®