

COMFORT HEIGHT® TOILET K-3497

Features

- Vitreous china
- Comfort Height®
- Combination toilet
- Round-front
- Class Five® flushing system
- Less seat and supply
- 1.6 gpf (6 lpf) or 1.28 gpf (4.8 lpf)
- 2-1/8" (54 mm) glazed trapway
- 12" (305 mm) rough-in
- 11" (279 mm) x 8-1/4" (210 mm) water area
- 28-1/8" (714 mm) x 19" (483 mm) x 30-3/4" (781 mm)



Codes/Standards Applicable

Specified model meets or exceeds the following:

- ASME A112.19.2/CSA B45.1

Colors/Finishes

- 0: White
- Other: Refer to Price Book for additional colors/finishes

Accessories

- 0: White
- CP: Polished Chrome
- PB: Vibrant® Polished Brass
- Other: Refer to Price Book for additional colors/finishes

Specified Model

Model	Description	Colors/Finishes	
K-3497	Round bowl toilet (left-hand trip lever)	<input type="checkbox"/> 0	<input type="checkbox"/> Other _____
K-3497-RA	Round bowl toilet (right-hand trip lever)	<input type="checkbox"/> 0	<input type="checkbox"/> Other _____
K-3497-T	Round bowl toilet with tank cover locks(left-hand trip lever)	<input type="checkbox"/> 0	<input type="checkbox"/> Other _____
K-3497-TR	Round bowl toilet with tank cover locks(right-hand trip lever)	<input type="checkbox"/> 0	<input type="checkbox"/> Other _____

Recommended Accessories			
K-4658	Brevia™ seat with cover	<input type="checkbox"/> 0	<input type="checkbox"/> Other _____
K-7637	3/8" Angle supply with stop	<input type="checkbox"/> CP	<input type="checkbox"/> PB <input type="checkbox"/> Other _____

Additional Optional Accessories table is on page 2.

Product Specification

The elongated combination toilet shall be made of vitreous china. Toilet shall be 28-1/8" (714 mm) in length, 19" (483 mm) in width, and 30-3/4" (781 mm) in height with a 11" (279 mm) x 8-1/4" (210 mm) water area. Toilet shall be 12" (305 mm) rough-in and 2-1/8" (54 mm) glazed trapway. Toilet shall be 1.6 gpf (6 lpf) or 1.28 gpf (4.8 lpf) with Class Five® flushing system. Toilet shall include K-9466-L/R polished chrome trip lever. Toilet shall be less seat and supply. Toilet shall be Kohler Model K-3497-_____.

CIMARRON®

Optional Accessories

K-9466-L	Left-hand trip lever (non-CP)	<input type="checkbox"/> PB	<input type="checkbox"/> Other _____
K-9466-R	Right-hand trip lever (non-CP)	<input type="checkbox"/> PB	<input type="checkbox"/> Other _____
K-9470-L	Left-hand trip lever	<input type="checkbox"/> PB	<input type="checkbox"/> Other _____
K-9470-R	Right-hand trip lever	<input type="checkbox"/> PB	<input type="checkbox"/> Other _____

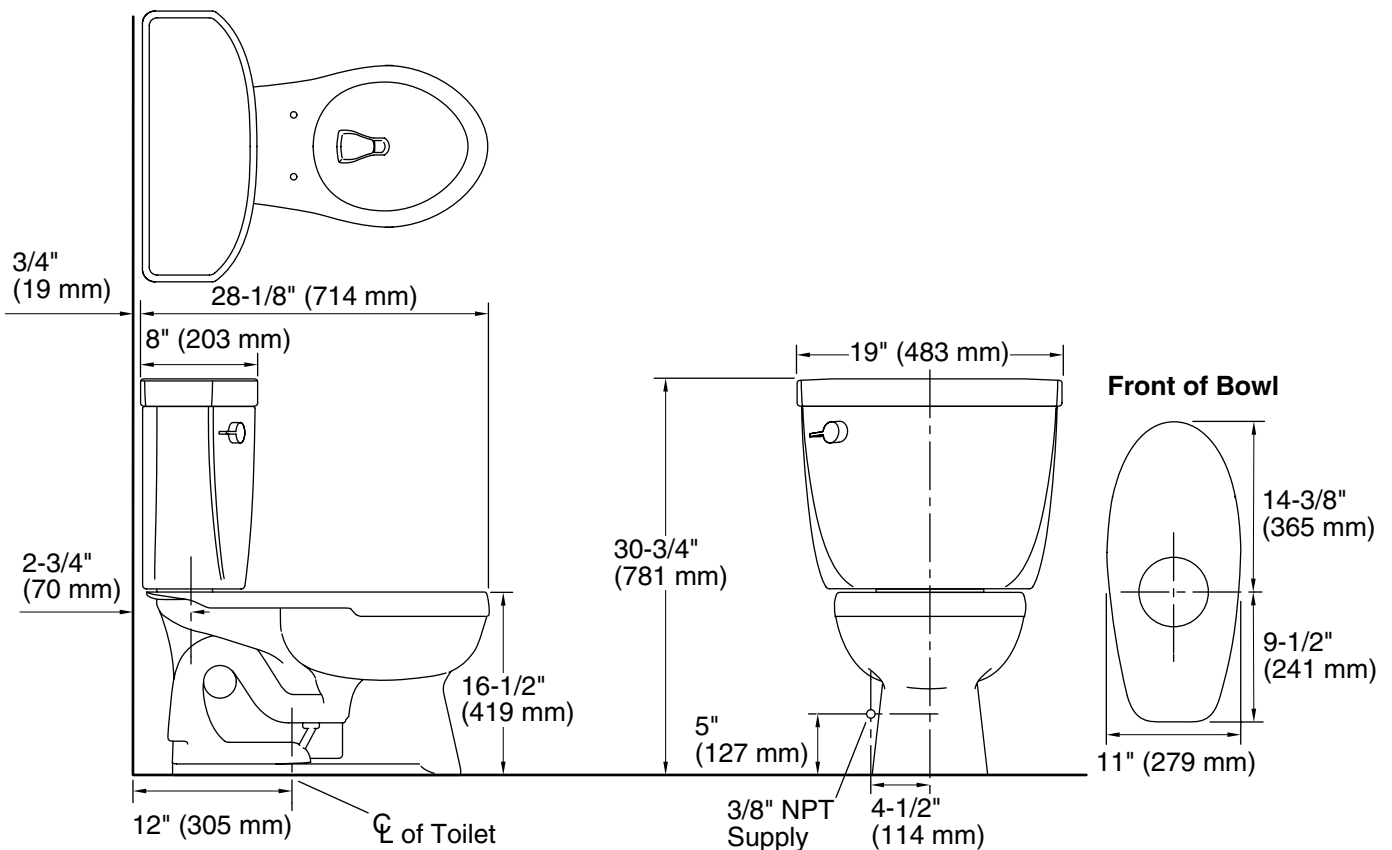
Technical Information

Fixture:	
Configuration	Two-piece, round-front
Water per flush	1.6 gal (6 L) or 1.28 gal (4.8 L)
Passageway	2-1/8" (54 mm)
Water area	11" (279 mm) x 8-1/4" (210 mm)
Water depth from rim	5-7/8" (149 mm)
Seat post hole centers	5-1/2" (140 mm)

Included components:	
Bowl	K-4287
Tank cover	1015867
Trip lever, left-hand	1059436
Trip lever, right-hand	1036058
Bolt cap accessory pack	1013092
Tank accessory pack	1016548
Tank, left-hand trip lever	K-4634
Tank, right-hand trip lever	K-4634-RA

Installation Notes

Install this product according to the installation guide.



Product Diagram