

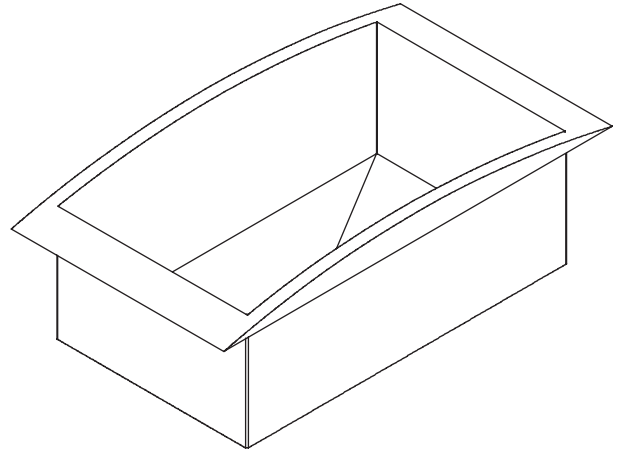
### Features

- 12-gauge stainless steel
- Self-rimming
- Single compartment
- Includes bottom basin rack
- Includes installation hardware
- 33" (83.8 cm) x 18" (45.7 cm)

### Codes/Standards Applicable

- Specified model meets or exceeds the following:
- ASME A112.19.3/CSA B45.4

## SELF-RIMMING KITCHEN SINK K-3153



### Colors/Finishes

- NA: None applicable

#### Accessories:

- CP: Polished Chrome
- ST: Stainless Steel
- NA: None applicable
- Other: Refer to Price Book for additional colors/finishes

### Specified Model

Model	Description	Colors/Finishes
K-3153	Self-rimming sink with bottom basin rack	<input type="checkbox"/> NA
<b>Included Accessory</b>		
K-3126	Bottom basin rack	<input type="checkbox"/> ST
<b>Optional Accessory</b>		
K-2989	Countertop cutting board	<input type="checkbox"/> NA
K-8801	Duostrainer® sink strainer	<input type="checkbox"/> CP <input type="checkbox"/> Other _____

### Product Specification:

The self-rimming kitchen sink shall be 33" (83.8 cm) in length and 18" (45.7 cm) in width. Sink shall be made of 12 gauge stainless steel. Sink shall be single compartment. Sink shall include bottom basin rack. Sink shall include installation hardware. Sink shall be Kohler Model K-3153.

# SWERVE™

## Technical Information

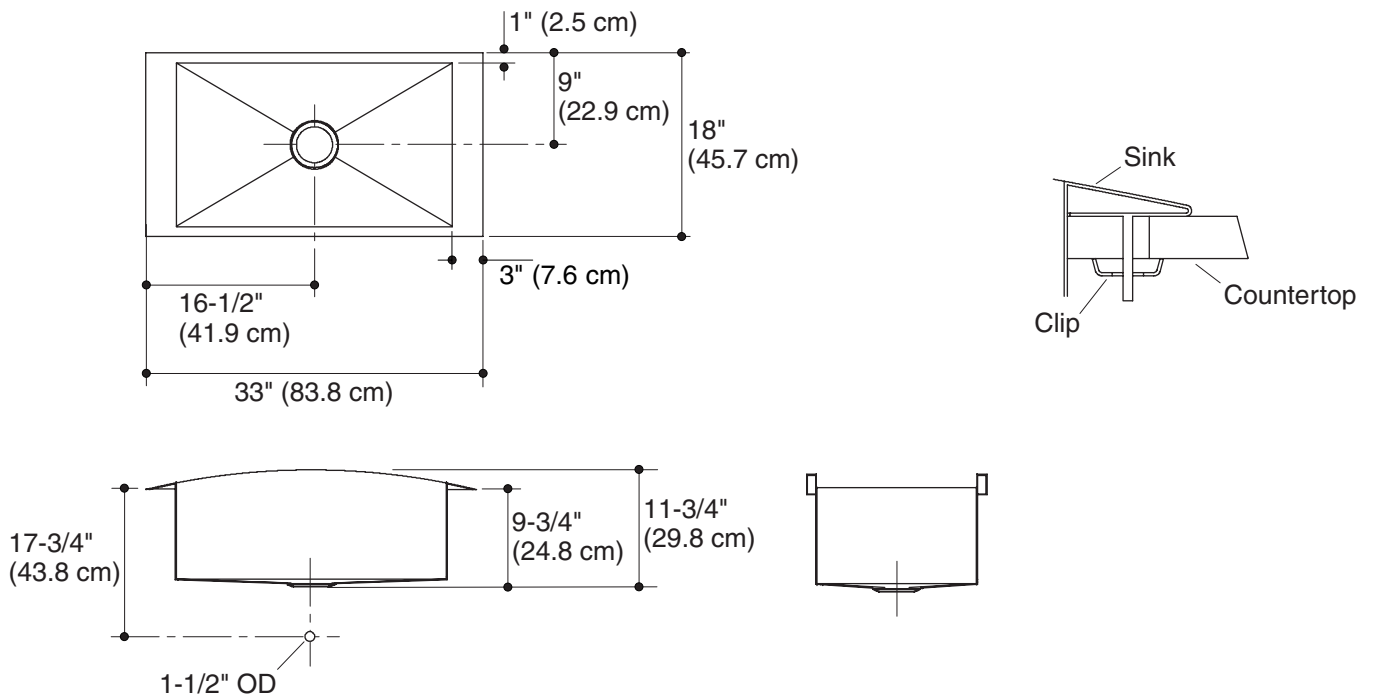
Fixture*:	
Basin area	27" (68.6 cm) x 16" (40.6 cm)
Water depth	10-3/16" (25.9 cm)
Drain hole	3-5/8" (9.2 cm)
* Approximate measurements for comparison only.	

Included Components:	
Hardware kit	91915
Cut-out template	1022027-7

## Installation Notes

Install this product according to the installation guide.

Cutout is 31" (78.7 cm) x 16-1/2" (41.9 cm) with 1/2" (1.3 cm) radius corners.



## Product Diagram

SWERVE™ SELF-RIMMING KITCHEN SINK

Page 2 of 2  
1022027-4-F

THE BOLD LOOK  
OF **KOHLER**®