

UNDERCOUNTER SINK K-3376

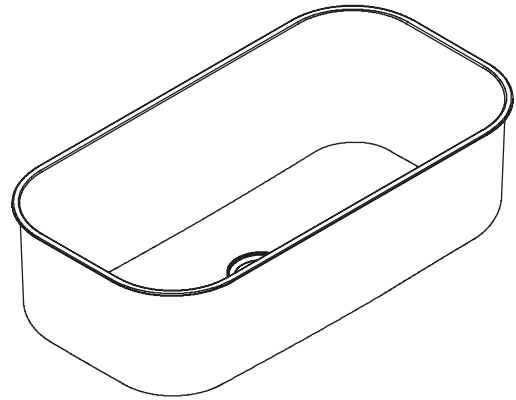
Features

- 18-gauge stainless steel
- Single compartment
- Undercounter
- Includes installation hardware
- Rounded bowl(s)
- 34-3/8" (87.3 cm) x 17-3/8" (44.1 cm)

Codes/Standards Applicable

Specified model meets or exceeds the following:

- ASME A112.19.3/CSA B45.4



Colors/Finishes

- NA: None applicable

Accessories:

- CP: Polished Chrome
- Other: Refer to Price Book for additional colors/finishes

Specified Model

Model	Description	Colors/Finishes
K-3376	Undercounter sink	<input type="checkbox"/> NA

Recommended Accessories			
K-8801	Duostrainer® sink strainer	<input type="checkbox"/> CP	<input type="checkbox"/> Other_____
K-8813	Stainless steel sink strainer with tailpiece	<input type="checkbox"/> CP	
K-8814	Stainless steel sink strainer less tailpiece	<input type="checkbox"/> CP	

Product Specification

The undercounter sink shall be 34-3/8" (87.3 cm) in length and 17-3/8" (44.1 cm) in width. Sink shall be made of 18 gauge stainless steel. Sink shall be single compartment with rounded bowl. Sink shall include installation hardware. Sink shall be Kohler Model K-3376.

UNDERTONE®

Technical Information

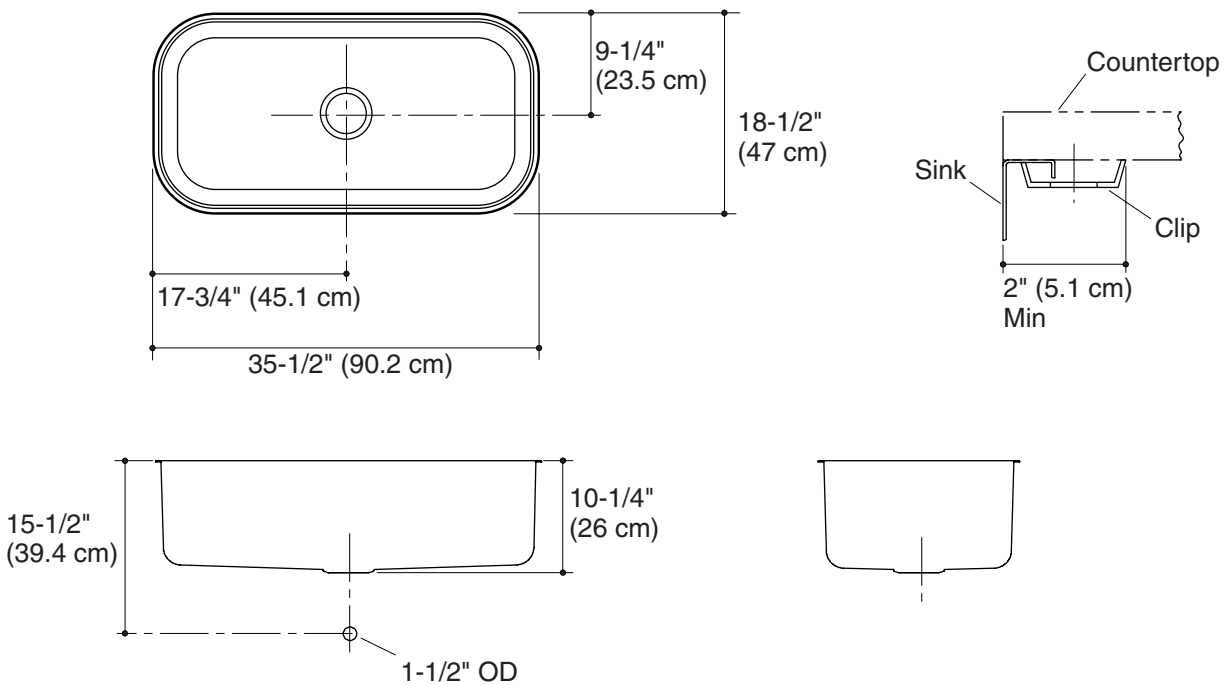
Fixture*:	
Basin area	34-3/8" (87.3 cm) x 17-3/8" (44.1 cm)
Water depth	10" (25.4 cm)
Drain hole	3-5/8" (9.2 cm) D.
*Approximate measurements for comparison only.	

Included components:	
Hardware kit	91915
Cut-out template	1042725-7

Installation Notes

Install this product according to the installation guide.

Allow a minimum of 2" (5.1 cm) clearance around the sink rim for clip attachment.



Product Diagram