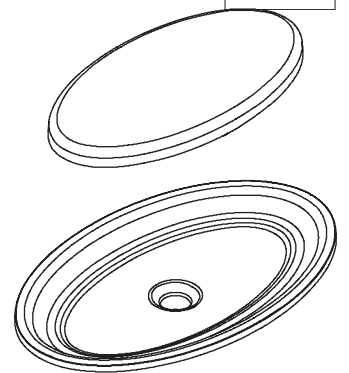


Features

- KOHLER cast iron
- Undercounter
- 22-1/2" (57.2 cm) x 14" (35.6 cm)

UNDERCOUNTER LAVATORY BASIN AND PANEL K-2817, K-2819-P5

ADA



Codes/Standards Applicable

Specified model meets or exceeds the following:

- ADA
- ASME A112.19.1
- IAPMO/UPC
- ICC/ANSI A117.1
- CSA B45

Colors/Finishes

- 0: White
- Other: Refer to Price Book for additional colors/finishes

Accessories

- CP: Polished Chrome
- Other: Refer to Price Book for additional colors/finishes

Specified Model

Model	Description	Colors/Finishes	
K-2817	Undercounter lavatory basin	<input type="checkbox"/> 0	<input type="checkbox"/> Other_____
K-2819-P5	Panel	<input type="checkbox"/> 0	<input type="checkbox"/> Other_____
Required Accessories			
K-7715	Grid drain	<input type="checkbox"/> CP	<input type="checkbox"/> Other_____
Recommended Accessories			
K-T197, K-T199	Falling Water® angular wall-mount faucet OR	<input type="checkbox"/> CP	<input type="checkbox"/> Other_____
K-T196, K-T198	Falling Water® curved wall-mount faucet OR	<input type="checkbox"/> CP	<input type="checkbox"/> Other_____
K-942-4	Stillness® widespread lavatory faucet	<input type="checkbox"/> CP	<input type="checkbox"/> Other_____
K-9018	P-Trap	<input type="checkbox"/> CP	<input type="checkbox"/> Other_____

Product Specification

The undercounter lavatory shall be made of cast iron. Lavatory shall be 22-1/2" (57.2 cm) in length, and 14" (35.6 cm) in width. Lavatory shall be Kohler Model K-_____ -_____.

PARADOX™

Technical Information

Fixture*:	
Basin area	20" (50.8 cm) x 12" (30.5 cm)
Water depth	1-5/8" (4.1 cm)
Drain hole	1-3/4" (4.4 cm) D.
* Approximate measurements for comparison only.	

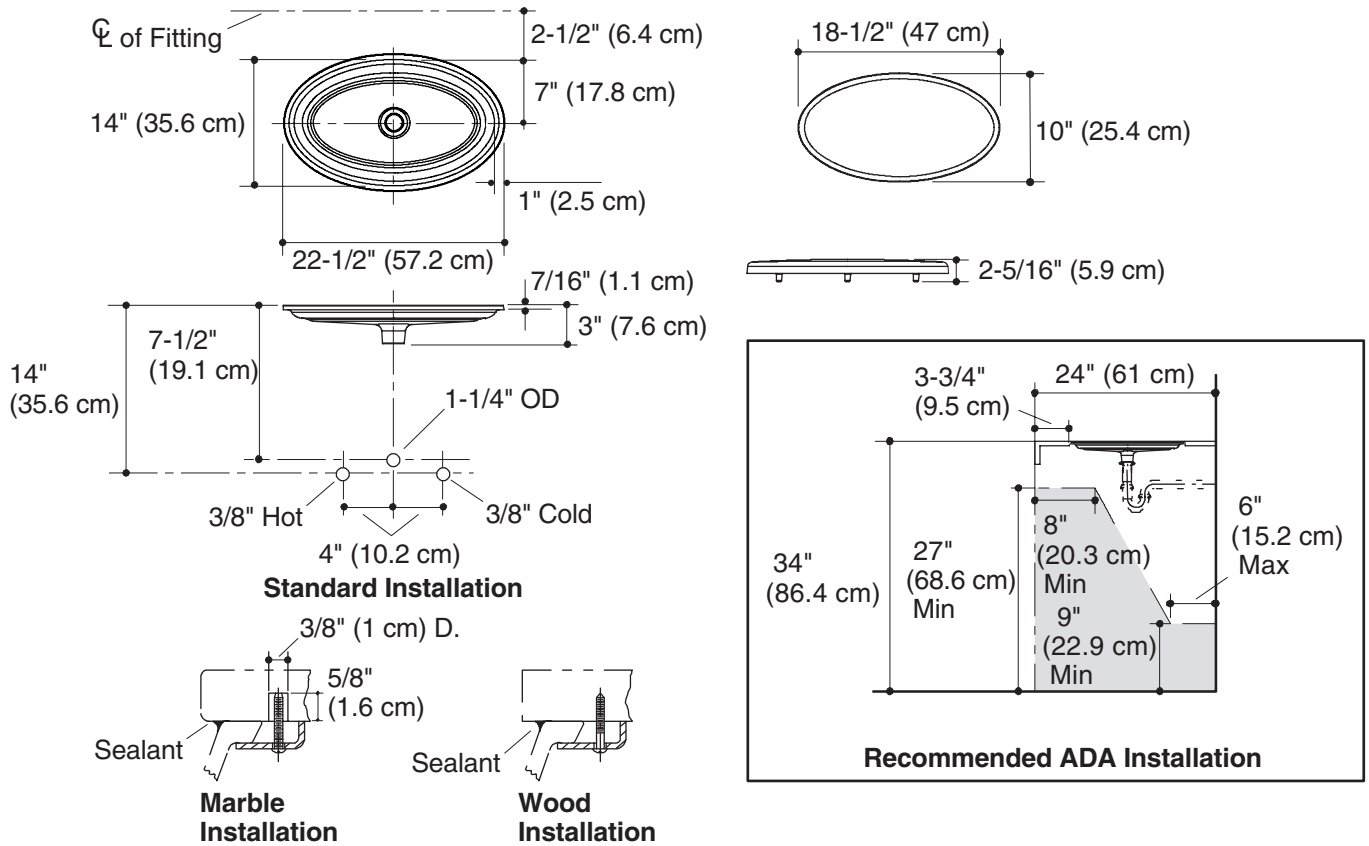
Included components:	
Adhesive sealant	81489
Basin clamp assembly	52047
Cut-out template	1020957-7

Installation Notes

Install this product according to the installation guide.

Supplied basin clamp assemblies require 1" (2.5 cm) minimum countertop thickness. Installer must supply anchors for thinner countertops.

Choose a faucet that will provide adequate hand washing clearance and will direct the water stream to the center of the lavatory panel.



Product Diagram