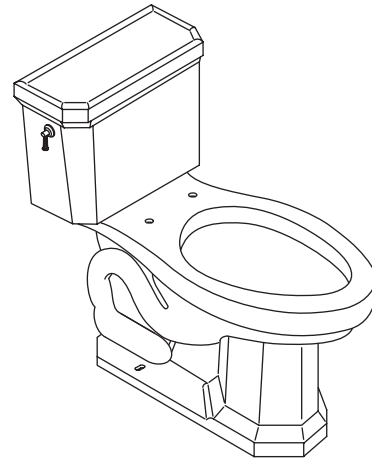


### COMFORT HEIGHT® TOILET K-3484

ADA

#### Features

- Vitreous china
- Comfort Height®
- Combination toilet
- Elongated bowl
- Ingenium® flushing system
- Polished chrome trip lever
- Less seat and supply
- 1.6 gpf (6 lpf)
- 2" (5.1 cm) glazed trapway
- 12" (30.5 cm) rough-in
- ADA compliant when installed following installation notes
- 10-1/8" (25.7 cm) x 9-1/2" (24.1 cm) water area
- 30" (76.2 cm) x 17-1/4" (43.8 cm) x 31" (78.7 cm)



#### Codes/Standards Applicable

Specified model meets or exceeds the following:

- ADA
- ASME A112.19.2/CSA B45.1
- ICC/ANSI A117.1

#### Colors/Finishes

- 0: White
- Other: Refer to Price Book for additional colors/finishes

#### Accessories

- 0: White
- CP: Polished Chrome
- PB: Vibrant® Polished Brass
- Other: Refer to Price Book for additional colors/finishes

#### Specified Model

Model	Description	Trip Lever	Colors/Finishes	
K-3484	Elongated bowl toilet	left-hand	<input type="checkbox"/> 0	<input type="checkbox"/> Other_____
<b>Recommended Accessories</b>				
K-7637	Angle supply with stop – 3/8" NPT	<input type="checkbox"/> CP	<input type="checkbox"/> PB	<input type="checkbox"/> Other_____
<b>Optional Accessories</b>				
K-4650	Lustra™ elongated open-front toilet seat – for ADA compliance	<input type="checkbox"/> 0		<input type="checkbox"/> Other_____
K-9451	Kathryn® trip lever - non-CP		<input type="checkbox"/> CP	<input type="checkbox"/> Other_____

#### Product Specification

The elongated toilet combination shall be made of vitreous china. The toilet shall be 30" (76.2 cm) in length, 17-1/4" (43.8 cm) in width, and 31" (78.7 cm) in height with a 10-1/8" (25.7 cm) x 9-1/2" (24.1 cm) water area. The toilet shall be 12" (30.5 cm) rough-in. The toilet shall be 1.6 gpf (6 lpf) with Kohler Ingenium® flushing system. The toilet shall have 2" (5.1 cm) glazed trapway. The toilet shall include polished chrome trip lever. Toilet shall be ADA compliant (when installed following installation notes). The toilet shall be less seat and supply. The toilet shall be Kohler Model K-3484-\_\_\_\_\_.

## Technical Information

Fixture:	
Configuration	two-piece, elongated
Water per flush	1.6 gal (6 L)
Passageway	2" (5.1 cm)
Water area	10-1/8" (25.7 cm) x 9-1/2" (24.1 cm)
Water depth from rim	5-7/8" (14.9 cm)
Seat post hole centers	5-1/2" (14 cm)

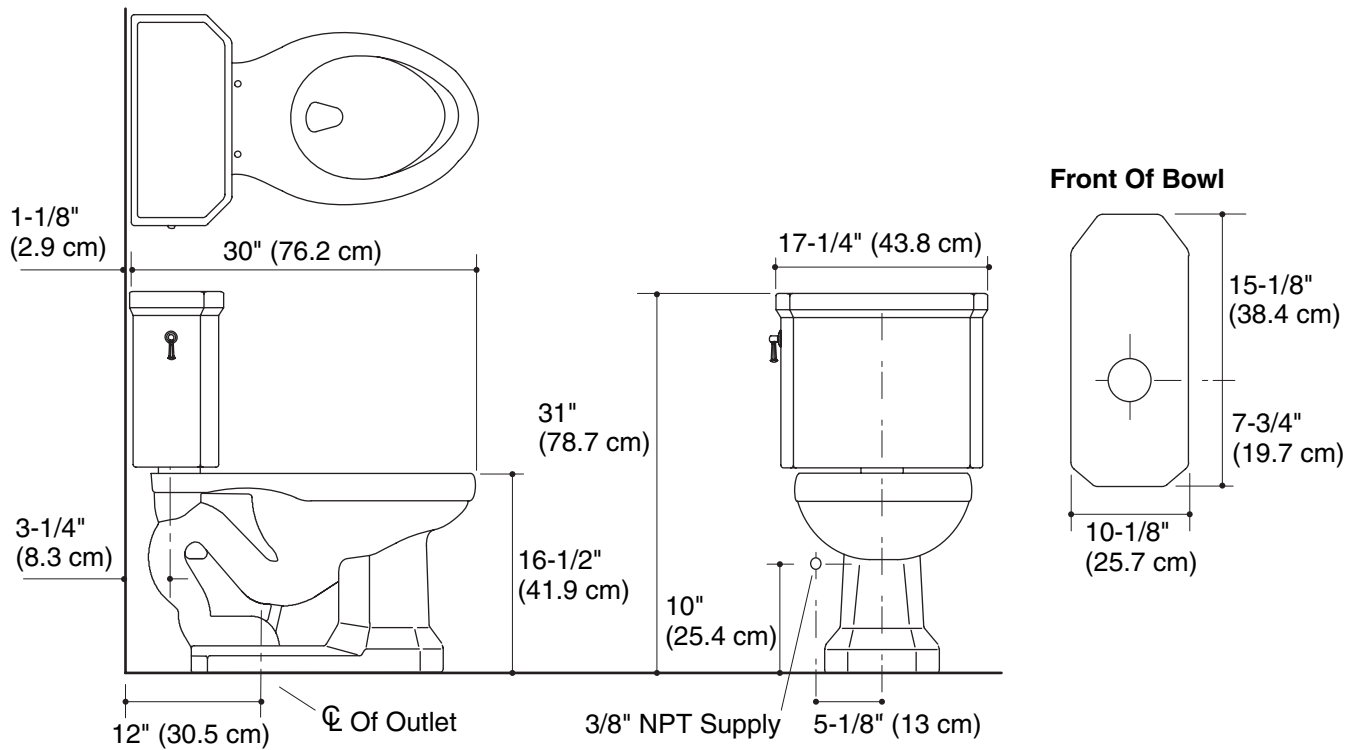
Included components:	
Bowl	K-4258
Tank	K-4403
Tank cover	1015781
Trip lever	1006495
Bolt cap accessory pack	1013092

## Installation Notes

Install this product according to the installation guide.

Will comply with the American Disabilities Act (ADA) when installed per the requirements of the Accessibility Guidelines, Section 604 Water Closets, of the Act, which include the installation of an open front seat.

Section 604 states the required height of the toilet is 17" (43.2 cm) to 19" (48.3 cm) from the floor to the top of the seat to meet ADA requirements.



## Product Diagram