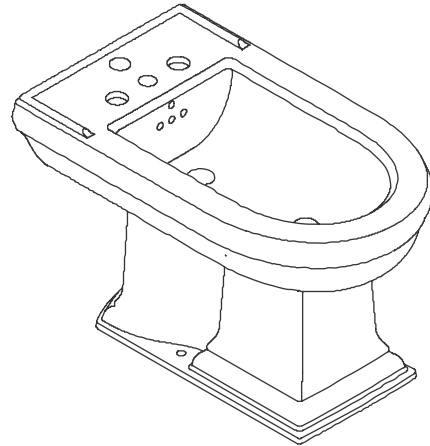


Features

- Vitreous china
- Drilled for front-fill and vertical spray (4-hole)
- For above or below the floor rough-in
- Includes mounting hardware

VERTICAL SPRAY BIDET K-4886



Codes/Standards Applicable

Specified model meets or exceeds the following:

- ASME A112.19.2
- IAPMO/UPC
- CSA B45.0
- CSA B45.1
- CSA International

Colors/Finishes

- 0: White
- Other: Refer to Price Book for additional colors/finishes

Accessories

- CP: Polished Chrome
- PB: Vibrant® Polished Brass
- Other: Refer to Price Book for additional colors/finishes

Specified Model

Model	Description	Colors/Finishes	
K-4886	4-hole bidet (integral fill and vertical spray)	<input type="checkbox"/> 0	<input type="checkbox"/> Other_____

Recommended Accessories				
K-316	Finial® Traditional or Finial Fundamentals faucet OR	<input type="checkbox"/> CP	<input type="checkbox"/> PB	<input type="checkbox"/> Other_____
K-470	Memoirs® faucet OR	<input type="checkbox"/> CP	<input type="checkbox"/> PB	<input type="checkbox"/> Other_____
K-960-4	Stillness® faucet OR	<input type="checkbox"/> CP		<input type="checkbox"/> Other_____
K-6814	IV Georges Brass® faucet OR		<input type="checkbox"/> PB	<input type="checkbox"/> Other_____
K-8247	Taboret® faucet OR	<input type="checkbox"/> CP		<input type="checkbox"/> Other_____
K-12286-4	Fairfax® faucet OR	<input type="checkbox"/> CP	<input type="checkbox"/> PB	<input type="checkbox"/> Other_____
K-14431	Purist® faucet OR	<input type="checkbox"/> CP		<input type="checkbox"/> Other_____
K-15286	Coralais® faucet OR	<input type="checkbox"/> CP	<input type="checkbox"/> PB	
K-16132	Revival® faucet	<input type="checkbox"/> CP	<input type="checkbox"/> PB	<input type="checkbox"/> Other_____
K-8998	P-Trap	<input type="checkbox"/> CP		

Product Specification

The bidet shall be made of vitreous china. The bidet shall be drilled for front fill and vertical spray (4-hole). The bidet shall be for above or below the floor rough-in. The bidet shall include mounting hardware. The bidet shall be Kohler Model K-4886-_____.

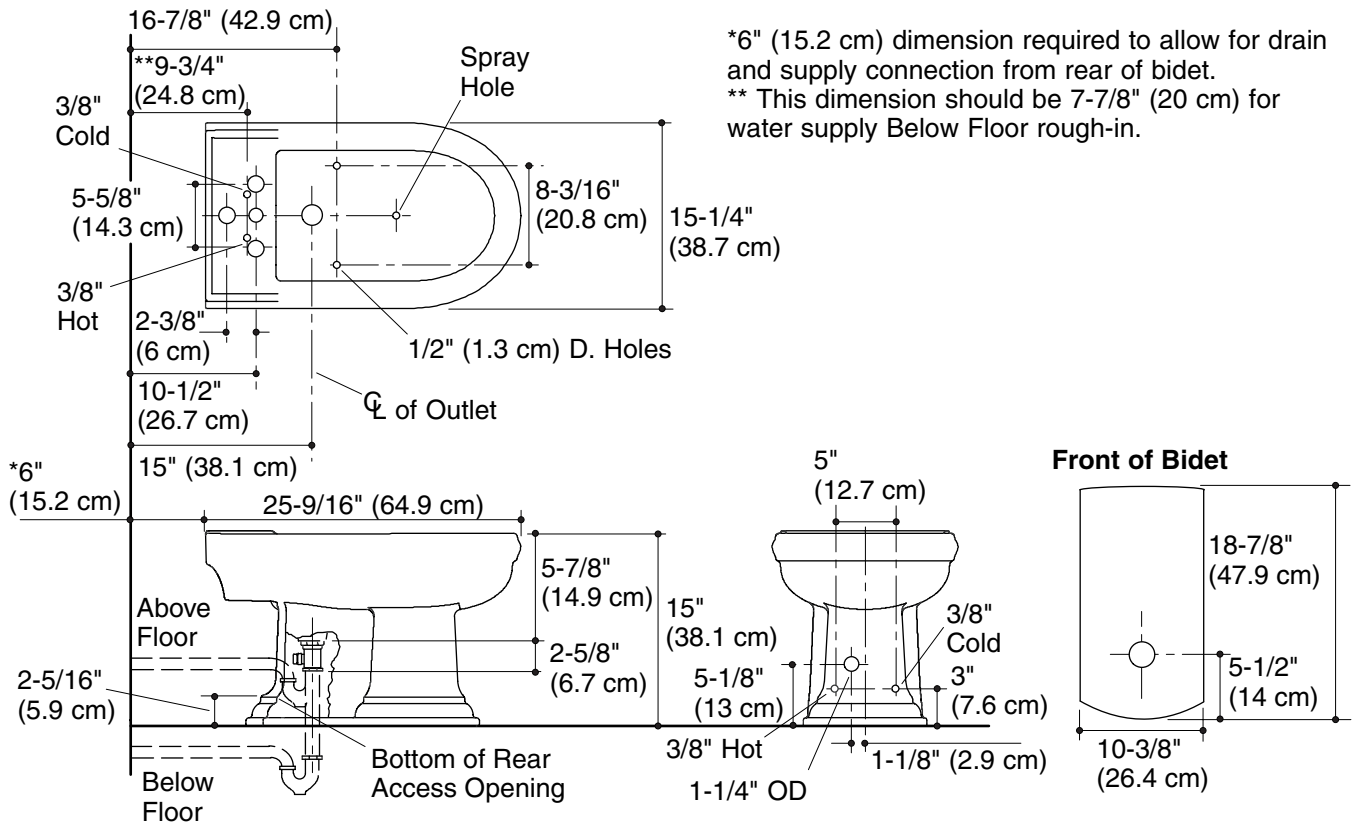
MEMOIRS®

Technical Information

Fixture:	
Configuration	Faucet deck
Drain hole	1-3/4" (4.4 cm) D.
Faucet holes	1-3/8" (3.5 cm) D.
Pop-up rod hole	1-1/8" (2.9 cm) D.
Spray hole	3/4" (1.9 cm) D.
Diverter	1-5/16" (3.3 cm) D.
Included components:	
Floor screws and cap bolts	1017124

Installation Notes

Install this product according to the installation guide.



Product Diagram