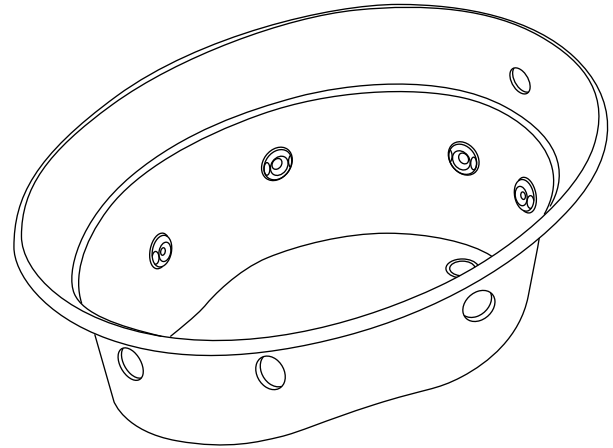


5' BATH WHIRLPOOL K-1337

Features

- Acrylic
- Oval shape
- Drop-in
- Pump with air switch and grounding-type plug-in cord
- Optional K-1491 removable bath pillow
- Optional K-9698 whirlpool trim kit in various finishes
- 8 individually adjustable ProFlex® hydro-massage jets
- Textured bottom surface
- 60" (1524 mm) x 42-1/4" (1073 mm) x 21" (533 mm)



Codes/Standards Applicable

Specified model meets or exceeds the following:

- ANSI Z124.1.2
- ASME A112.19.7
- UL 1795

Colors/Finishes

- 0: White
- Other: Refer to Price Book for additional colors/finishes

Accessories

- 0: White
- CP: Polished Chrome
- PB: Vibrant® Polished Brass
- Other: Refer to Price Book for additional colors/finishes

Specified Model

Model	Description	Colors/Finishes		
K-1337	5' bath whirlpool	<input type="checkbox"/> 0	<input type="checkbox"/> Other_____	
Recommended Accessories				
K-7166-AF	Adjustable pop-up rain	<input type="checkbox"/> CP	<input type="checkbox"/> PB	<input type="checkbox"/> Other_____
Optional Accessories				
K-1491	Pillow	<input type="checkbox"/> 0	<input type="checkbox"/> Other_____	
K-9698	8-jet trim kit – metal finishes	<input type="checkbox"/> CP	<input type="checkbox"/> PB	<input type="checkbox"/> Other_____

Product Specification

The acrylic drop-in bath whirlpool shall be 60" (1524 mm) in length, 42-1/4" (1073 mm) in width, and 21" (533 mm) in height. Bath whirlpool shall be made of oval shaped. Bath whirlpool shall have 8 individually adjustable ProFlex® hydro-massage jets, and a pump with air switch and grounding-type plug-in cord. Bath whirlpool shall have a textured bottom surface. Bath whirlpool shall have an optional K-9698 whirlpool trim kit in various finishes, and K-1491 removable bath pillow. Bath whirlpool shall be Kohler Model K-1337-_____.

SERIF®

Technical Information

Fixture*:	
Basin area:	
Bathing well	42" (1067 mm) x 28" (711 mm)
Top area	55" (1397 mm) x 40" (1016 mm)
Weight	110 lbs (49.9 kg)
To overflow:	
Water depth	15-1/2" (394 mm)
Capacity	73 gal (276.3 L)
* Approximate measurements for comparison only.	

Included components:	
Cutout template	1017044-7

Pump:	V	Hz	A
1-speed	120	60	7.5

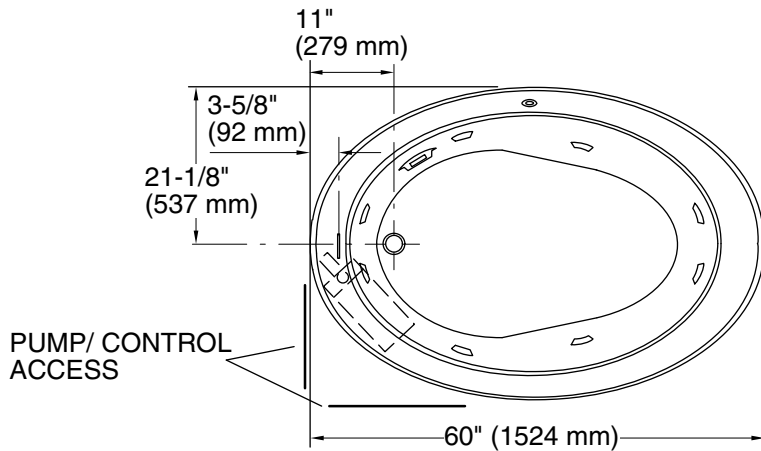
Required Electrical Service

Dedicated circuit required, protected with Class A Ground-Fault Circuit-Interrupter (GFCI):	
Pump/control	120 V, 15 A, 60 Hz
Locate the outlet behind the whirlpool and within 24" (610 mm) of the pump.	

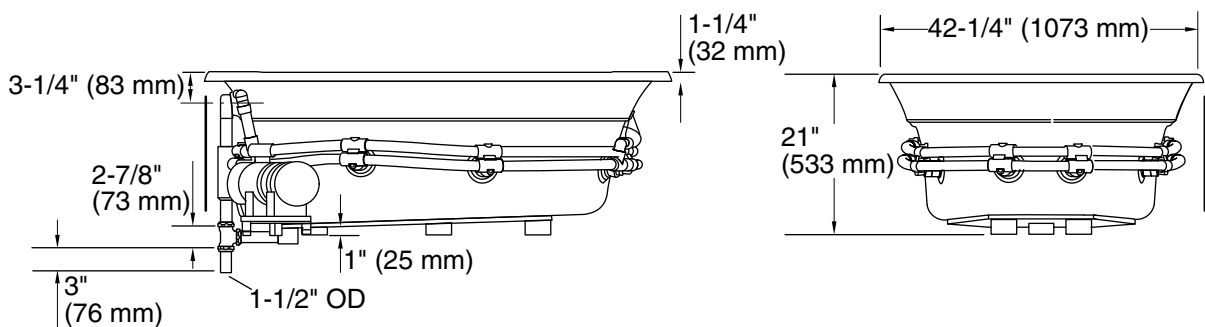
Installation Notes

Install this product according to the installation guide.

Floor support under whirlpool must provide for a minimum of 43 lbs/square foot (208 kg/square meter) loading.



No change in measurements if connected with drain illustrated (K-7166-AF)



Product Diagram