

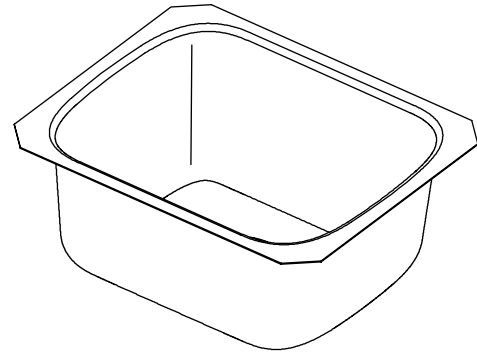
### UNDERCOUNTER SINK K-3184

#### Features

- 18-gauge stainless steel
- Undercounter
- Single compartment
- Includes installation hardware
- 7-5/8" (19.4 cm) deep basin
- 16-1/2" (41.9 cm) x 13-3/4" (34.9 cm)

#### Codes/Standards Applicable

- Specified model meets or exceeds the following:
- ASME A112.19.3/CSA B45.4



#### Colors/Finishes

- NA: None applicable

#### Accessories

- NA: None applicable
- ST: Stainless Steel
- CP: Polished Chrome
- Other: Refer to Price Book for additional colors/finishes

#### Specified Model

Model	Description	Colors/Finishes
K-3184	Undercounter sink	<input type="checkbox"/> NA

Optional Accessories					
K-3128	Hardwood cutting board	<input type="checkbox"/> NA			
K-3134	Stainless steel bottom basin rack		<input type="checkbox"/> ST		
K-8801	Duostrainer® sink strainer			<input type="checkbox"/> CP	<input type="checkbox"/> Other_____
K-8813	Stainless steel sink strainer with tailpiece			<input type="checkbox"/> CP	
K-8814	Stainless steel sink strainer less tailpiece			<input type="checkbox"/> CP	

#### Product Specification

The undercounter sink shall be 16-1/2" (41.9 cm) in length and 13-3/4" (34.9 cm) in width with a 7-5/8" (19.4 cm) deep basin. Sink shall be made of 18 gauge stainless steel. Sink shall be single compartment. Sink shall include installation hardware. Sink shall be Kohler Model K-3184-NA.

# UNDERTONE®

## Technical Information

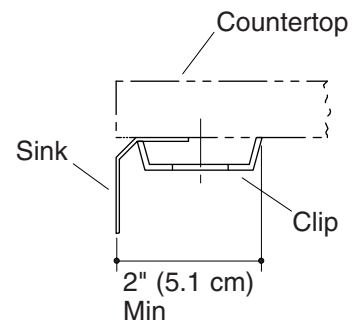
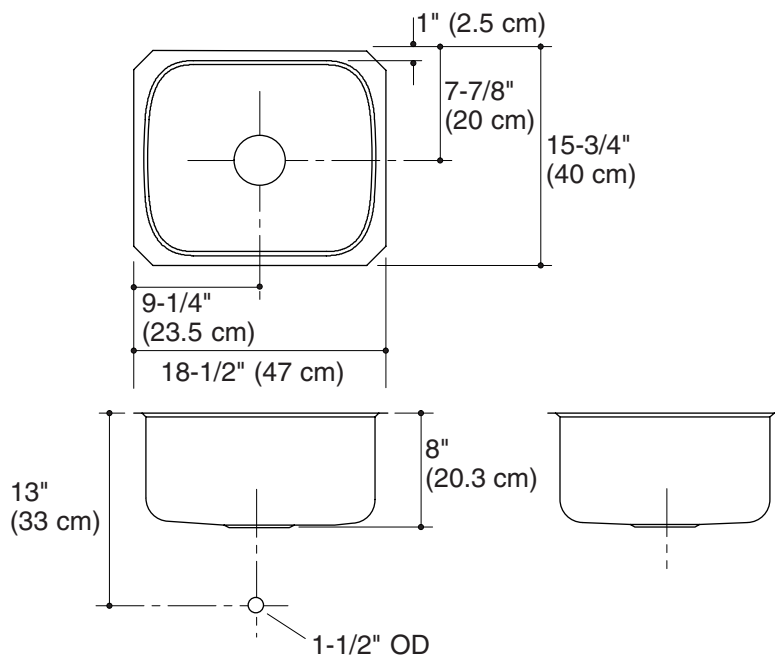
Fixture*:	
Basin area	16-1/2" (41.9 cm) x 13-3/4" (34.9 cm)
Water depth	7-5/8" (19.4 cm)
Drain hole	3-5/8" (9.2 cm) D.
*Approximate measurements for comparison only.	

Included components:	
Hardware kit	91915
Cut-out template	1016736-7

## Installation Notes

Install this product according to the installation guide.

Allow a minimum of 2" (5.1 cm) minimum clearance around sink rim for clip attachment.



## Product Diagram