

UNDERCOUNTER SINK K-3182

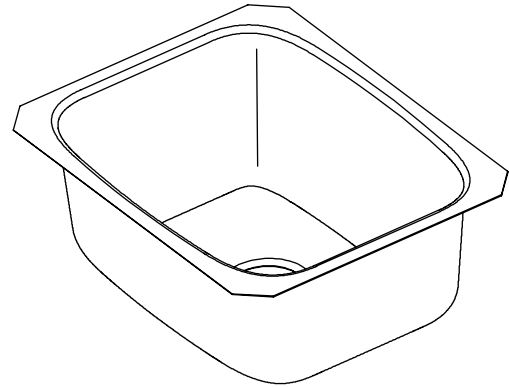
Features

- 18-gauge stainless steel
- Undercounter
- Single compartment
- Includes installation hardware
- 7-5/8" (19.4 cm) deep basin
- 14-1/4" (36.2 cm) x 18-1/2" (47 cm)

Codes/Standards Applicable

Specified model meets or exceeds the following:

- ASME A112.19.3/CSA B45.4



Colors/Finishes

- NA: None applicable

Accessories

- CP: Polished Chrome
- ST: Stainless Steel
- NA: None applicable
- Other: Refer to Price Book for additional colors/finishes

Specified Model

| Model | Description | Colors/Finishes |
|--------|-------------------|-----------------------------|
| K-3182 | Undercounter sink | <input type="checkbox"/> NA |

| Optional Accessories | | | | | |
|----------------------|--|-----------------------------|-----------------------------|-----------------------------|-------------------------------------|
| K-2989 | Countertop cutting board | <input type="checkbox"/> NA | | | |
| K-3132 | Stainless steel bottom basin rack | | <input type="checkbox"/> ST | | |
| K-8801 | Duostrainer® sink strainer | | | <input type="checkbox"/> CP | <input type="checkbox"/> Other_____ |
| K-8813 | Stainless steel sink strainer with tailpiece | | | <input type="checkbox"/> CP | |
| K-8814 | Stainless steel sink strainer less tailpiece | | | <input type="checkbox"/> CP | |

Product Specification

The undercounter sink shall be in 14-1/4" (36.2 cm) length and 18-1/2" (47 cm) in width, with a 7-5/8" (19.4 cm) deep basin. Sink shall be made of 18 gauge stainless steel. Sink shall be a single compartment. Sink shall include installation hardware. Sink shall be Kohler Model K-3182.

UNDERTONE®

Technical Information

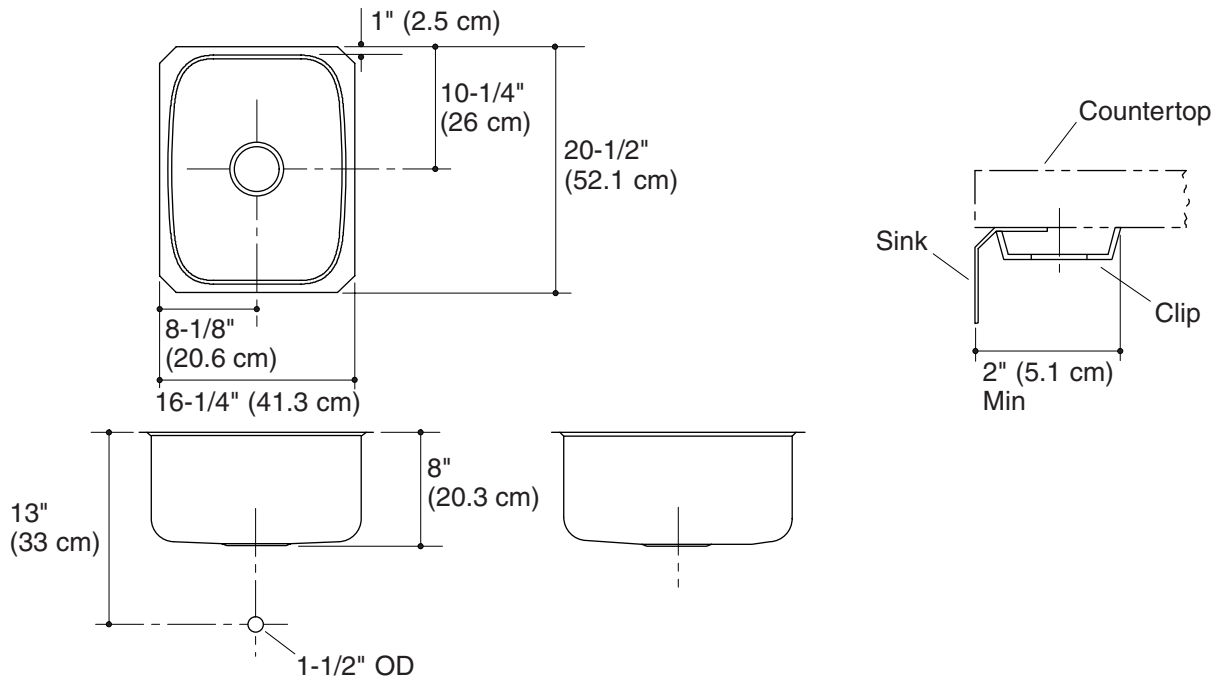
| | |
|--|-------------------------------------|
| Fixture*: | |
| Basin area | 14-1/4" (36.2 cm) x 18-1/2" (47 cm) |
| Water depth | 7-5/8" (19.4 cm) |
| Drain hole | 3-5/8" (9.2 cm) D. |
| *Approximate measurements for comparison only. | |

| | |
|----------------------|-----------|
| Included components: | |
| Hardware kit | 91915 |
| Cut-out template | 1016734-7 |

Installation Notes

Install this product according to the installation guide.

Allow a minimum of 2" (5.1 cm) minimum clearance around the sink rim for clip attachment.



Product Diagram