

UNDER-MOUNT KITCHEN SINK K-3181

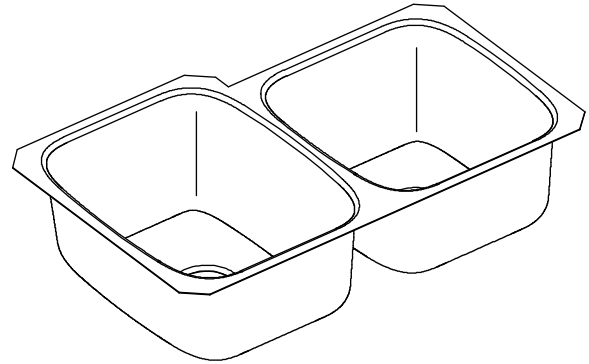
Features

- 18-gauge stainless steel
- Under-mount
- Double (large/medium) compartment
- Includes installation hardware
- 7-5/8" (194 mm) deep bowls
- 29-1/2" (749 mm) x 15-3/4" (400 mm)

Codes/Standards Applicable

Specified model meets or exceeds the following:

- ASME A112.19.3/CSA B45.4



Colors/Finishes

- NA: None applicable

Accessories

- CP: Polished Chrome
- ST: Stainless Steel
- Other: Refer to Price Book for additional colors/finishes
- NA: None applicable

Specified Model

Model	Description	Colors/Finishes
K-3181	Under-mount kitchen sink	<input type="checkbox"/> NA

Optional Accessories

K-3119	Hardwood cutting board (for medium bowl)	<input type="checkbox"/> NA			
K-3132	Stainless steel bottom bowl rack (for large bowl)		<input type="checkbox"/> ST		
K-3129	Stainless steel bottom bowl rack (for medium bowl)		<input type="checkbox"/> ST		
K-8801	Duostrainer® sink strainer			<input type="checkbox"/> CP	<input type="checkbox"/> Other_____
K-8813	Stainless steel sink strainer with tailpiece			<input type="checkbox"/> CP	
K-8814	Stainless steel sink strainer, less tailpiece			<input type="checkbox"/> CP	

Product Specification

The under-mount kitchen sink shall be made of 18-gauge stainless steel. Sink shall be 29-1/2" (749 mm) in length and 15-3/4" (400 mm) in width. Sink shall have 7-5/8" (194 mm) deep bowls. Sink shall be double (large/medium) compartment. Sink shall include installation hardware. Sink shall be Kohler Model K-3181-NA.

UNDERTONE®

Technical Information

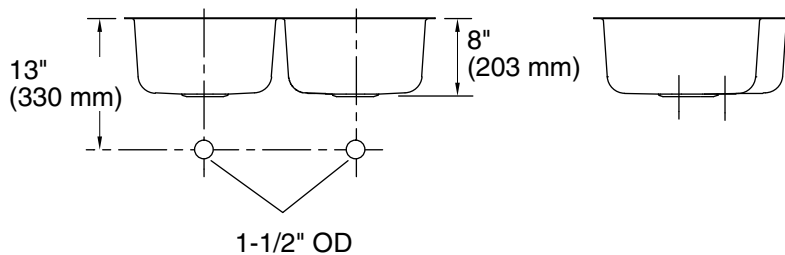
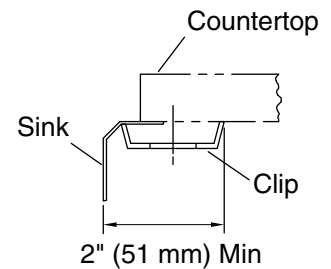
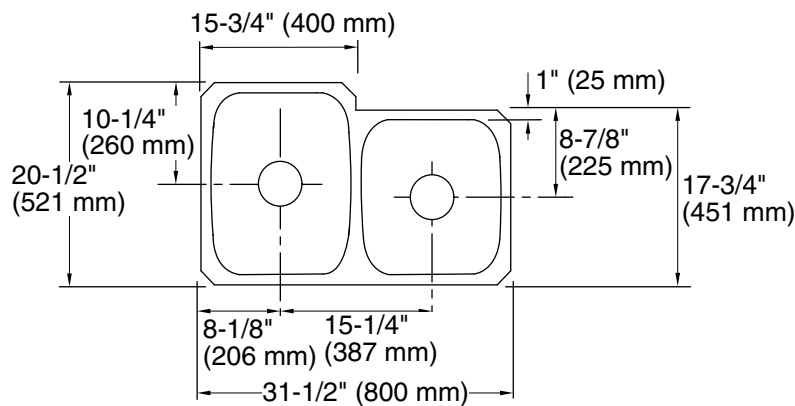
Fixture*:	
Bowl area, left	14-1/2" (368 mm) x 18-1/2" (470 mm)
Bowl area, right	14-1/2" (368 mm) x 15-3/4" (400 mm)
Water depth	7-5/8" (194 mm)
Drain hole	Ø 3-5/8" (92 mm)
*Approximate measurements for comparison only.	

Included components:	
Hardware kit	91915
Cut-out template	1016733-7

Installation Notes

Install this product according to the installation guide.

Allow a minimum of 2" (51 mm) clearance around the sink rim for clip attachment.



Product Diagram